



**Aviation
Ground
Equipment Corp.**



It's all about
connections

Illustrated Parts List for JetEx6D Generator Set



324 South Service Road, Unit 104, Melville NY 11747
TEL (631)815-5520 • FAX (631)815-5526
E-mail: sales@aviationgroundequip.com
Web: www.aviationgroundequip.com

Chapter 1 Illustrated Parts List

Section 1 Introduction

1) General

The Illustrated Parts List identifies, describes, and illustrates main assemblies, subassemblies, and detail parts of a Diesel Engine-Generator Set manufactured by ITW GSE, Palmetto, Florida.

2) Purpose

The purpose of this list is to provide parts identification and descriptive information to maintenance and provisioning personnel for use in provisioning, requisitioning, purchasing, storing, and issuing of spare parts.

3) Arrangement

Chapter 1 is arranged as follows:

Section 1 – Introduction/ Numerical Index
Section 2 - Parts List

4) Explanation of Parts List

a) Contents

The parts list contains a breakdown of the equipment into assemblies, subassemblies, and detail parts. All parts of the equipment are listed except:

- Standard hardware items (attaching parts) such as nuts, screws, washers, etc., which are available commercially
- Bulk items such as wire, cable, sleeving, tubing, etc., which are also commercially available
- Permanently attached parts, which lose their identity by being welded, soldered, riveted, etc., to other parts, weldments, or assemblies

b) Parts List Form

This form is divided into six columns. Beginning at the left side of the form and proceeding to the right, columns are identified as follows:

(1) FIGURE- ITEM NO. Column

This column lists the figure number of the illustration applicable to a particular parts list and also identifies each part in the list by an item number. These item numbers also appear on the illustration. Each item number on an illustration is connected to the part to which it pertains by a leader line. Thus the figure and item numbering system ties the parts lists to the illustrations and vice-versa. The figure and index numbers are also used in the numerical index to assist the user in finding the illustration of a part when the part number is known.

(2) HOBART PART NUMBER Column

All part numbers appearing in this column are Hobart numbers. In all instances where the part is a purchased item, the vendor's identifying five-digit code and his part number will appear in the "NOMENCLATURE" column. Vendor parts, which are modified by Hobart, will be identified as such in the "NOMENCLATURE" column. In case Hobart does not have an identifying part number for a purchased part, the "HOBART PART NUMBER" column will reflect "No Number" and the vendor's number will be shown in the "NOMENCLATURE" column. Parts manufactured by Hobart will reflect no vendor or part number in the "NOMENCLATURE" column.

(3) NOMENCLATURE Column

The item-identifying name appears in this column. The indenture method is used to indicate item relationship. Thus, components of an assembly are listed directly below the assembly and indented one space. Vendor codes and part numbers for purchased parts are also listed in this column when applicable. Hobart modification to vendor items is also noted in this column.

(4) EFF (Effective) Column

Not Applicable

(5) QTY. Column

This column indicates the quantity of parts required for an assembly or subassembly in which the part appears. This column does not necessarily reflect the total used in the complete end item.

Numerical Index

6)Explanation of Numerical Index

The purpose of this index is to assist the user in finding the illustration and description of a part when the part number is known. Part numbers are arranged in alphanumerical sequence.

FIGURE – ITEM NO.	HOBART PART NO.	FIGURE – ITEM NO.	HOBART PART NO.
7-	040201	6-	284372-002
7-	040213	1-	285125
10-	042471	15-18	285647
4-	050984	7-25	286388-001
7-10	16DA2162	7-	286477-002
15-6	16DA3493	4-13	286485-001
15-16	180065	7-24	286485-001
8-6	180289A	7-	286607-001
8-3	180593-003	8-11	286611
15-19	180600	7-6	286699-001
17-6	180776	16-1	286810-001
8-5	181022C-005	15-24	286813
17-13	281688	16-	286849
9-1	281881-001	5-13	286850
15-20	282239	15-13	286884
2-13	282562	15-3	286887
13-10	282562	13-1	286897-031
1-25	282658	13-7	286897-036
11-	282918	14-	286903
11-	282919	14-	287144-002
15-26	283063	14-	287145-001
14-11	283154-001	15-1	287184-003
4-10	283597	17-8	287401
4-9	283824	1-14	287459
12-	283873	1-26	287460
8-17	283978-001	13-11	287461
8-16	283978-002	1-15	287462
17-2	284371-002	1-16	287463
5-10	284372-002	6-13	287464

FIGURE – ITEM NO.	HOBART PART NO.	FIGURE – ITEM NO.	HOBART PART NO.
1-18	287465	5-	24656
1-	287466	6-8	24656
1-13	287467	1-	288120
4-	287526-002	12-	288123-001
4-	287542-001	11-5	288197-001
4-	287542-002	17-1	288210
5-7	287564	1-	288300
6-	287564	8-	288303
17-3	287564	15-	288306
1-19	287571	14-12	288331
8-8	287621	8-14	288339
1-17	287696	15-7	288380-001
1-	287698-001	7-	288836-001
14-2	287735	7-	288836-002
4-	287785	1-22	288862
9-4	287795	1-12	288866
9-	287796	1-10	288917-002
7-9	287908	1-32	288918-002
12-11	287909	5-14	288973-001
14-8	287909	17-4	288984-001
2-5	292016	5-6	288985
5-15	292016	6-4	288985
3-5	287986	17-	288985
2-3	287998	1-28	288987-006
3-	287998	7-13	288999-001
5-	288003	13-8	289037
6-	288003	7-	289078
17-9	288003	7-2	289092
15-28	288015	7-	289104-001
1-	288020	12-7	289200-001
7-23	288020	12-9	289200-002
1-	288023	1-	289278
10-	288052-002	12-14	289827

FIGURE – ITEM NO.	HOBART PART NO.	FIGURE – ITEM NO.	HOBART PART NO.
12-13	289828	7-18	290957
12-	290145	8-1	290958
1-23	290216	8-15	290959
13-	290388	7-19	290981
11-	290597-001	2-4	292012
12-	290597-001	1-1	292042
11-	290597-006	2-1	292042
11-	290597-007	5-	292011
17-10	290646	6-7	291054
13-2	290685	3-4	291056
13-6	290686	4-14	291057
5-	290831	3-3	291066
14-	290831	5-5	291066
5-	290847	9-6	291067
14-	290847	3-1	291069
8-21	290871	12-3	291070
9-2	290902	12-4	291071
6-9	290918	12-6	291072
14-3	290918	12-8	291073
8-7	290925-A	12-17	291074
7-3	290931	12-16	291075
7-	290932	13-5	291076
11-3	290936	10-2	291077
12-15	290936	11-10	291078
11-1	290938	4-1	291080
11-9	290939	4-3	291081
11-2	290940	4-5	291084
8-18	290947	4-17	291085
8-22	290948	4-16	291087
8-	290949	2-6	291088
11-8	290951	2-7	291089
11-7	290952	2-8	291092
11-6	290953	9-8	291092

FIGURE – ITEM NO.	HOBART PART NO.	FIGURE – ITEM NO.	HOBART PART NO.
2-9	291093	14-4	291334
9-7	291093	4-	291335
12-	291097	15-29	291358
3-2	291152	10-4	291379
5-4	291152	10-5	291380
9-5	291160	10-7	291382
10-1	291168	10-6	291383
10-3	291169	4-	291386
12-1	291223	1-	291393
12-2	291224	6-10	291393
12-5	291225	10-8	291394
4-4	291237-001	5-11	292502
4-2	291237-002	6-6	292502
4-8	291237-003	1-27	291402
4-7	291237-004	2-11	291407
4-19	291237-005	13-	291407
4-18	291237-006	2-12	291408
14-9	291248	13-	291408
1-2	291252	2-	291409
1-30	291253-001	13-	291409
1-31	291253-002	2-10	291420
5-9	292917	13-9	291420
6-	292917	7-1	291431
5-8	291262	8-10	291431
6-	291262	6-2	291432-003
17-15	291262	6-	291432-004
4-6	291297	15-27	291433
4-15	291302	11-4	291453
7-21	291307	9-3	291481
1-	291329	5-	291482
1-	291330	14-	291482
5-	291334	8-24	291864
14-	291334	8-23	291865-001

FIGURE – ITEM NO.	HOBART PART NO.	FIGURE – ITEM NO.	HOBART PART NO.
7-15	30GH1119	15-2	405278-006
17-12	354592	14-	405548
16-5	400435	7-	406815
15-8	400589-001	1-24	407366
7-	400613-003	8-4	407948
7-	400613-004	8-19	407948
7-	400613-004	8-	408352
8-	400613-004	7-5	408596-001
7-12	400641-012	1-20	408665-001
7-11	400642-003	1-21	408665-002
8-9	401937-004	17-18	408999-001
1-	402025-003	2-	486719-005
16-6	402025-003	13-	486719-005
15-5	402037-004	17-7	488555-001
17-20	402530	17-16	488562
17-19	402531	17-17	488628
7-	402663	17-	488784
17-21	402788	17-5	489135
1-9	402987	17-22	489426
1-8	403091-008	14-	489658-007
7-14	403189	16-	489658-010
12-10	403782-002	7-4	494134-001
14-7	403782-002	9-	494295
14-6	403809-002	15-11	494681-001
8-2	404065-002	13-12	76B1148
10-	404154-013	1-	77A1157
7-	404172-001	7-8	78A1117-002
8-	404172-001	7-7	78A1120-001
7-	404172-002	14-5	78B1118-002
8-	404172-002	8-	79B1138
7-	404172-003	8-20	79B1140
7-	404173	1-	7J422-000
8-	404173	1-11	81B1084

FIGURE – ITEM NO.	HOBART PART NO.	FIGURE – ITEM NO.	HOBART PART NO.
8-	84A1075	15-14	W10933-003
17-	85C1004-002	15-15	W11097-007
15-22	A25	15-17	W11097-007
16-	A25	15-21	W11097-022
15-23	AW626	15-9	W11114-012
16-	AW626	8-	W11166-003
7-22	HF2518-002	8-	W11166-011
8-13	HF2518-002	15-25	W11242-018
7-16	HF2518-005	7-	W11254-003
8-12	HF2518-005	15-10	W11280-015
7-20	HF2518-007	14-	W7814-000
7-17	HF2518-008	12-	W7814-004
8-	W10051-014	14-	W7814-004
17-14	W10072-063	16-2	W9218-251
14-	W10750-001	16-3	W9218-251
10-	W10869-006	5-	W9360-289
15-4	W10869-006	14-	W9360-289
14-	W10910-000	14-1	W9407-446
15-12	W10931-003		

Section 2 Illustrated Parts List

1) Explanation of Parts List Arrangement

The parts list is arranged so that the illustration will appear on a left-hand page and the applicable parts list will appear on the opposite right-hand page. Unless the list is unusually long, the user will be able to look at the illustration and read the parts list without turning a page.

2) Symbols and Abbreviations

The following is a list of symbols and abbreviations used in the parts list:

*	-	Item not illustrated
#	-	Number or Part Number
A, or AMP	-	Ampere
AC	-	Alternating current
AR	-	As required
DC	-	Direct current
Fig.	-	Figure
hd.	-	Head
hex	-	Hexagon
Hz	-	Hertz (cycles-per-second)
I.D.	-	Inside diameter
IN	-	Inch
KVA	-	Kilovolt-ampere
uF	-	Microfarad
No.	-	Number
NHA	-	Next higher assembly
PRV	-	Peak reverse voltage
PSI	-	Pounds per square inch
Ref	-	Reference (the item has been listed previously)
RH	-	Right Hand
LH	-	Left Hand
TM	-	Technical Manual
T-R	-	Transformer-rectifier
V	-	Volt or used as a prefix indicating vendor code

NOTE: An item that does not reflect an index number is an assembly that is not illustrated in its assembled state, or it is similar (right-hand, left-hand, top, etc.) to an item that is illustrated.

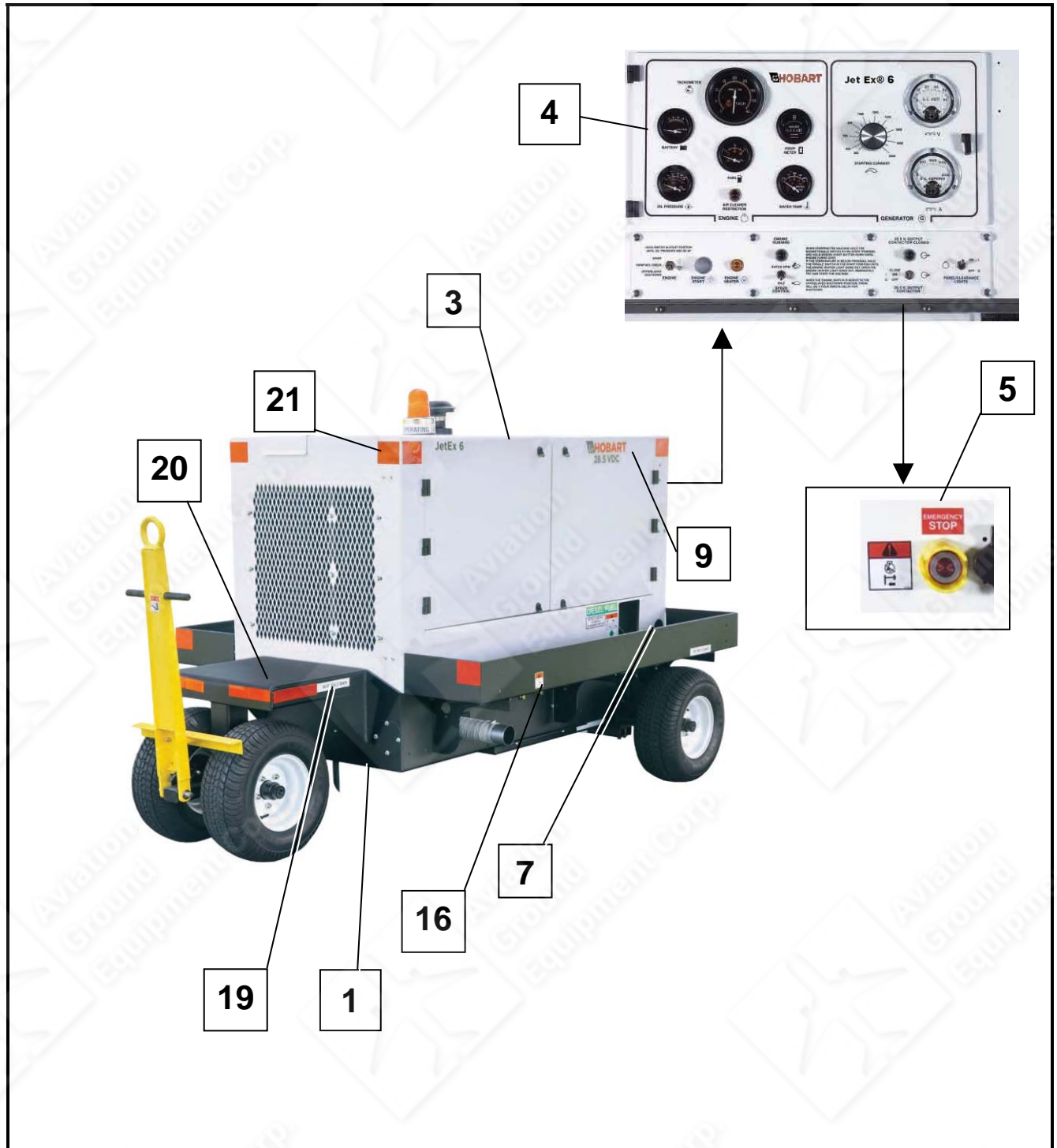


Figure 1 General Assembly

FIGURE - ITEM NO.	HOBART PART NO.	NOMENCLATURE	EFF	QTY.	
1 -	1	292042	Trailer and Frame Assembly (See Figure 2)	A,	1
	3		Canopy Assembly (See Figure 3 and 4)		Ref.
	4		Control Box Panel Assembly (See Figure 7 and 8)		Ref.
	5		Emergency Stop Switch (below control panel)		
		77A1157	...Switch, Maintained, Push-Pull (V14799 #KR-9R-H6)		1
		291393	...E-Stop Extension Harness		
		285125	...Guard, Mushroom Button (V14799 # K564M)		1
		288300	...Label, Emergency Stop		1
		287466	...Label, Emergency Stop		1
*	6		Control Panel Cover		
		291329	...Controls Cover		1
		291330	...Controls Cover Hinge		1
		288023	...Wing Knob Latch		2
		288020	...Cover Support Bracket		2
		289278	...Slotted Latch (optional for CE kits)		2
	7		Output Cable and Clamp Assembly		
		288120	...Output Cable Bracket		1
		7J422-000	...Output Cable Clamp		1
		287698-001	...Output Cable Cover (unused output cable hole)		1
		402025-003	...Cable, DC Output 30 ft.		1
*	8	403091-008	Plastic Hole Plug (if block heater not used)		1
	9	402987	Hobart Nameplate (on doors)		2
*	10	288917-002	Label, I.D. (on control panel)		1
*	11	81B1084	Nameplate, Output Cable, 28 Volts		1
*	12	288866	Support Center Label (on back panel)		1
*	13	287467	Label, Glow Plug		2
*	14	287459	General Information (on back panel)		1
*	15	287462	Engine Coolant Label (at radiator cap access)		1
	16	287463	Hot Muffler Label (at muffler outlet)		2
*	17	287696	Hearing Protection Label		1
*	18	287465	Falling Objects Label		2
	19	287571	Tire Pressure Label (mounted above tires)		4
	20	408665-001	Red Reflector (on the ends)		8
			Red Reflector		4
	21	408665-002	Amber Reflector (on the sides)		24
			Amber Reflector		12
*	22	288862	Engine Speed Caution Label		1
*	23	290216	Low Emissions Label (near fill neck)		1
*	24	407366	Label, Caution		1
*	25	282658	Label, Warning, Clearance		1
*	26	287460	Label, Warning, High Voltage		3
			Optional Components		
*	27	291402	Forklift Pockets (optional accessory, call factory)		1
*	28	288987-006	Cable Tray Rollers (optional accessory, call factory)		1
*	29	Call Factory	Spare Tire		1
*	32	288918-002	Option Label (only if options are added)		1

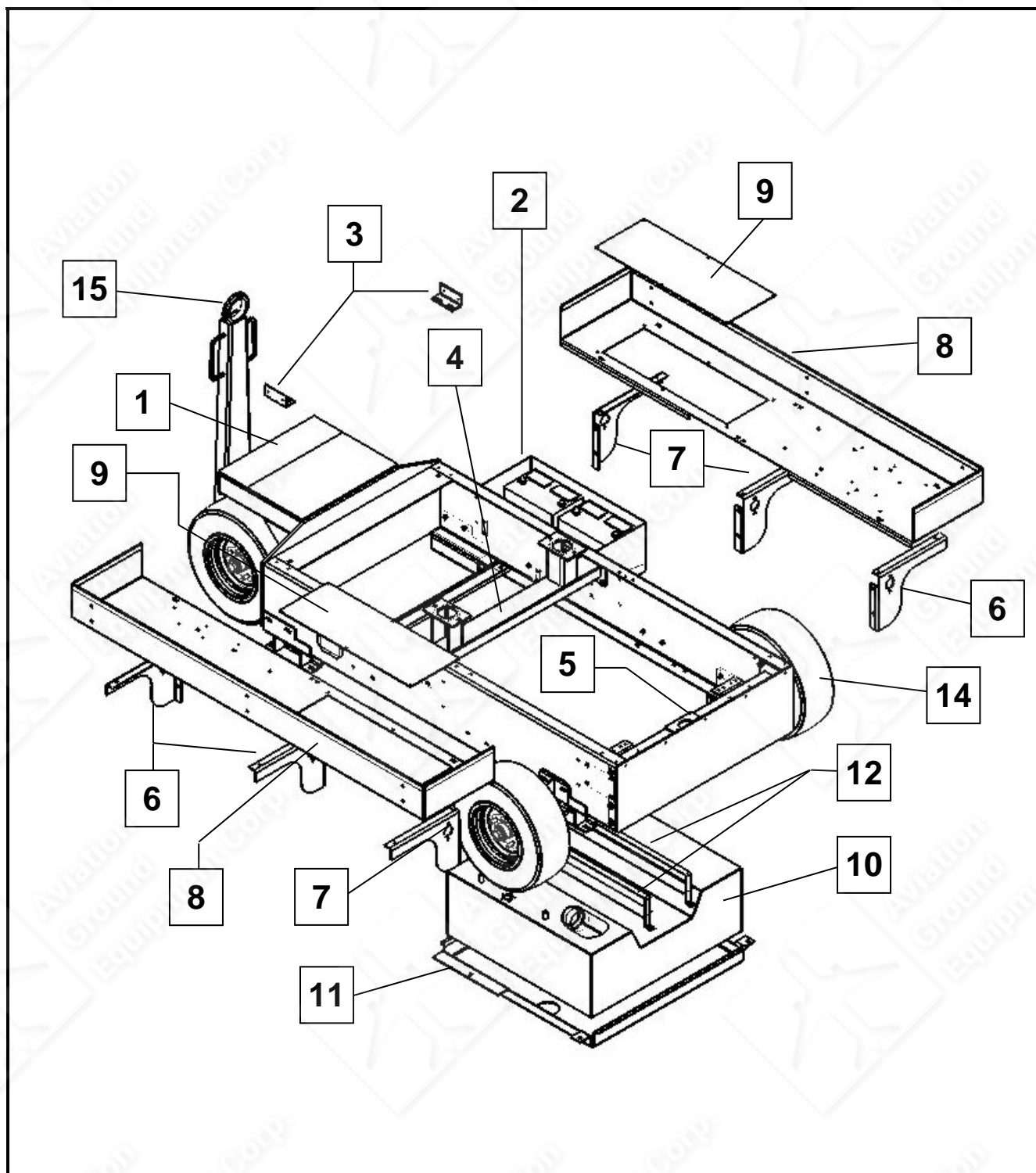


Figure 2 Trailer and Frame Assembly

FIGURE - ITEM NO.	HOBART PART NO.	NOMENCLATURE	EFF	QTY.
2 -	1 292042	Trailer Assembly		1
	2	12 VDC Battery Components (See Figure 9)		1
	3 287998	Front Panel Bracket		2
	4 292012	Engine Support (included with frame)		Ref.
	5 292016	Generator Support (included with frame)		Ref.
	6 291088	Cable Tray Fender		3
	7 291089	Cable Tray Fender		3
	8 291092	Cable Tray		2
	9 291093	Battery Tray Cover		2
	10 291420	50 Gallon Fuel Tank Assembly		1
*	486719-005	...Fuel Gauge Sender		1
	11 291407	Fuel Tank Belly Pan		1
	12 291408	Fuel Tank Strap		2
	291409	...Fuel Tank Strap Gasket		2
*	13 282562	Cap, Fuel Fill, Diesel Green		1
	14 Call Factory	Spare Tire		1
	15 Call Factory	Spare Tow bar		1

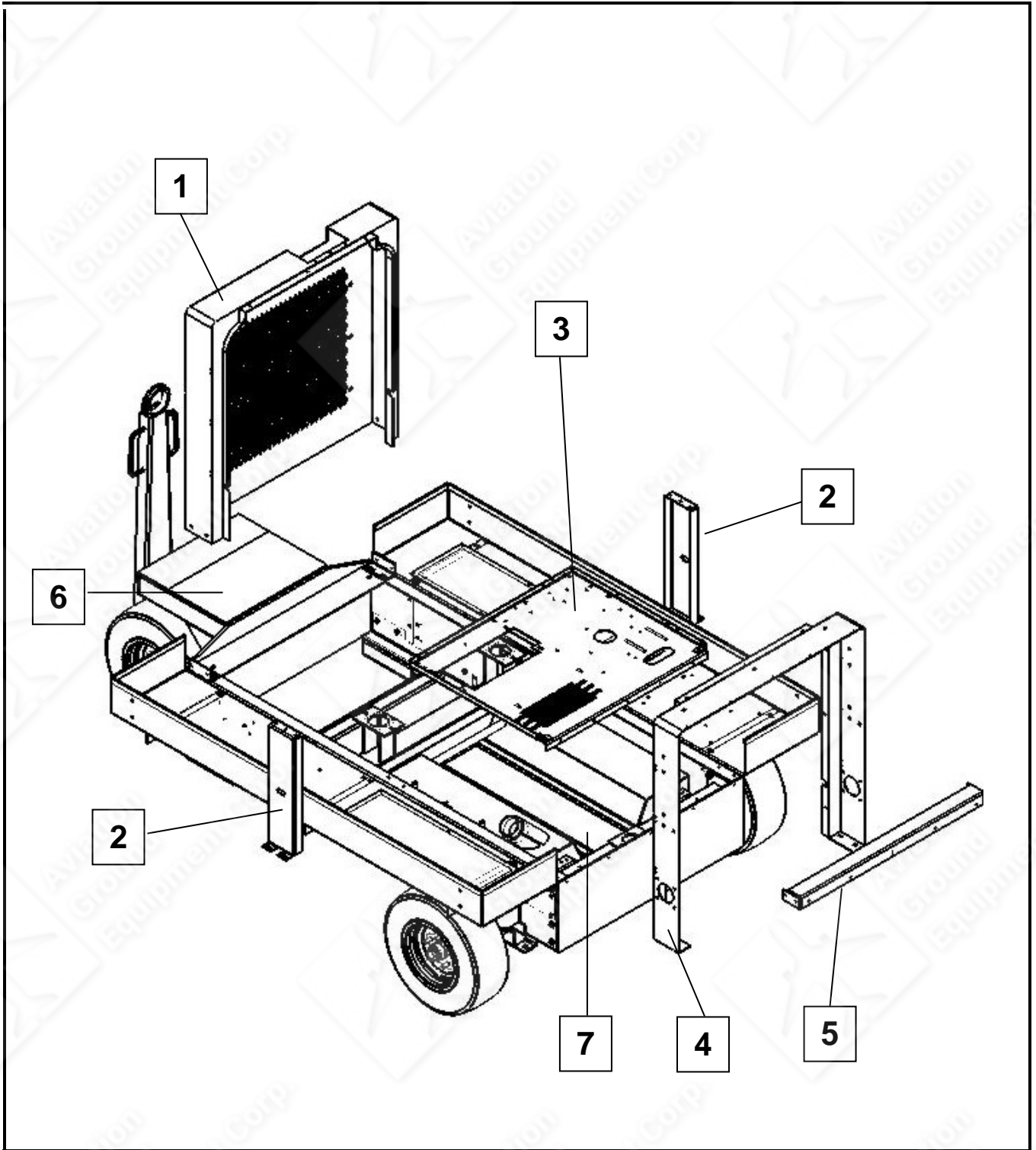


Figure 3 Canopy Assembly

FIGURE - ITEM NO.	HOBART PART NO.	NOMENCLATURE	EFF	QTY.
3 -	1 291069	Front Panel		1
*	287998	...Front Panel Bracket (See Figure 2)		1
	2 291152	TR Panel Support Leg		2
	3 291066	TR Support Panel		1
	4 291056	Control Box Support		1
	5 287986	Control Panel Support		1
	6	Trailer/Frame Assembly (See Figure 2)		Ref.
	7	Fuel Tank Assembly (See Figure 2)		Ref.

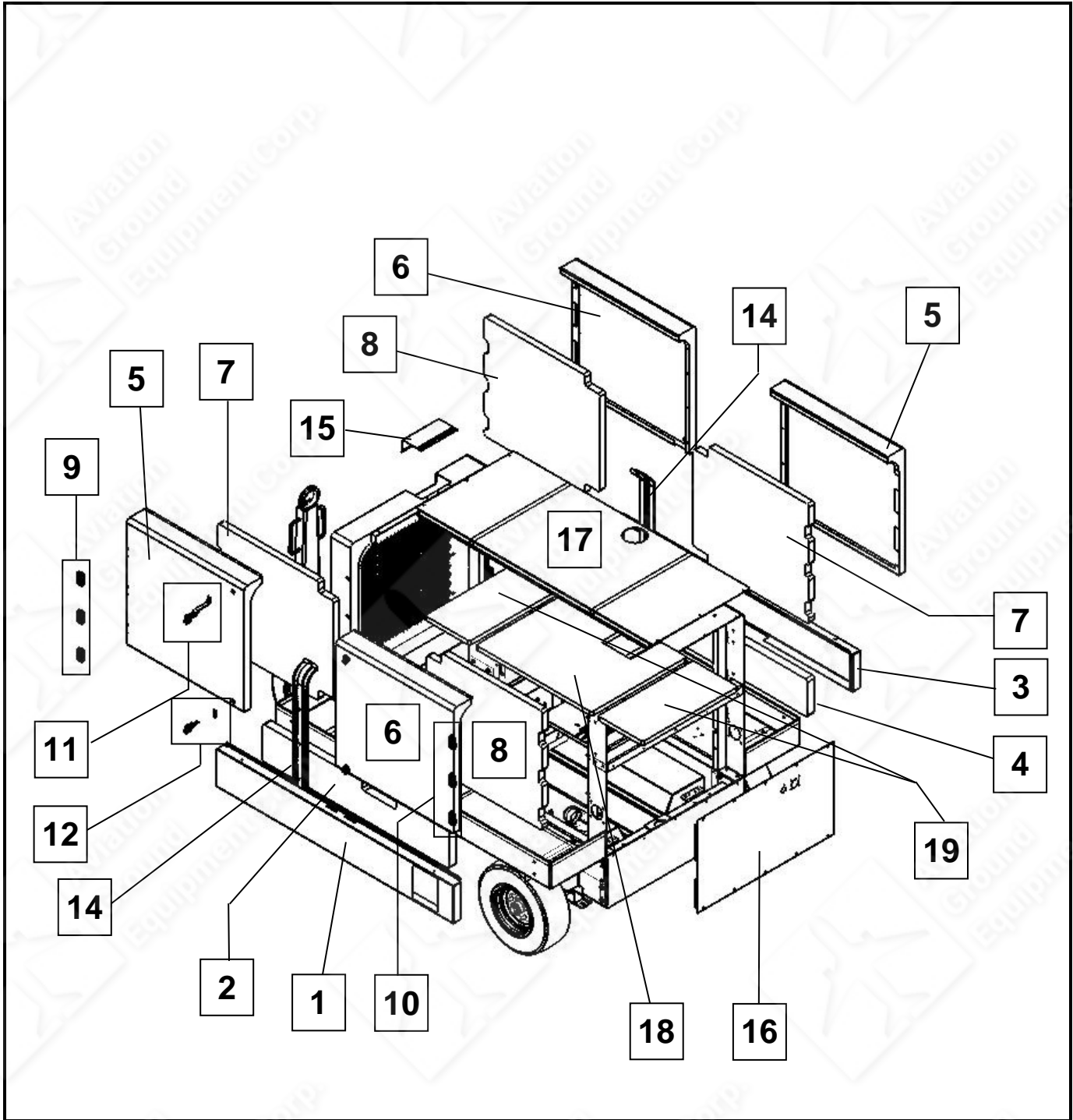


Figure 4 Canopy Assembly

FIGURE - ITEM NO.	HOBART PART NO.	NOMENCLATURE	EFF	QTY.
4 -	1	291080	Fuel Side Lower Door Panel	1
*		292118-003	...Insulation, Lower Panel RH	1
		287785	Access Panel Fastener	2
	2	291237-002	Fuel Side Lower Door Panel Insulation	1
	3	291081	Lower Door Panel	1
*		292118-004	...Insulation, Lower Panel LH	1
		287785	Access Panel Fastener	2
	4	291237-001	Lower Door Panel Insulation	1
	5	291084	Access Door	2
	6	291297	Access Door	2
	7	292118-001	...Access Door Insulation	2
	8	292118-001	...Access Door Insulation	2
	9	283824	...Access Door Hinge Assembly (To Door PN 291084)	6
	10	283597	...Access Door Hinge Assembly (To Door PN 291297)	6
	11		...Access Door Top Latch Assembly	4
		291335Access Door Latch Pawl	4
		287542-001Access Door Latch, Hex	4
		287542-002Access Door Latch, T-Handle	4
		287526-002Access Door Latch Pull Tab	4
	12		...Access Door Bottom Latch Assembly	4
		291386Access Door Latch Pawl	4
		287542-001Access Door Latch, Hex	4
		287542-002Access Door Latch, T-Handle	4
		287526-002Access Door Latch Pull Tab	4
*	13	286485-001	...Access Door Gasket (cut in four 31-inch strips)	124 in.
*		050984	...Access Door Gasket (cut in two 62-inch strips)	124 in.
	14	291057	Access Door Stop	2
	15	291302	Radiator Cap Access Door	1
	16	291087	Lower Rear Panel	1
	17	291085	Top Canopy Assembly	1
	18	291237-006	...Top Canopy Insulation	1
	19	291237-005	...Top Canopy Insulation	2

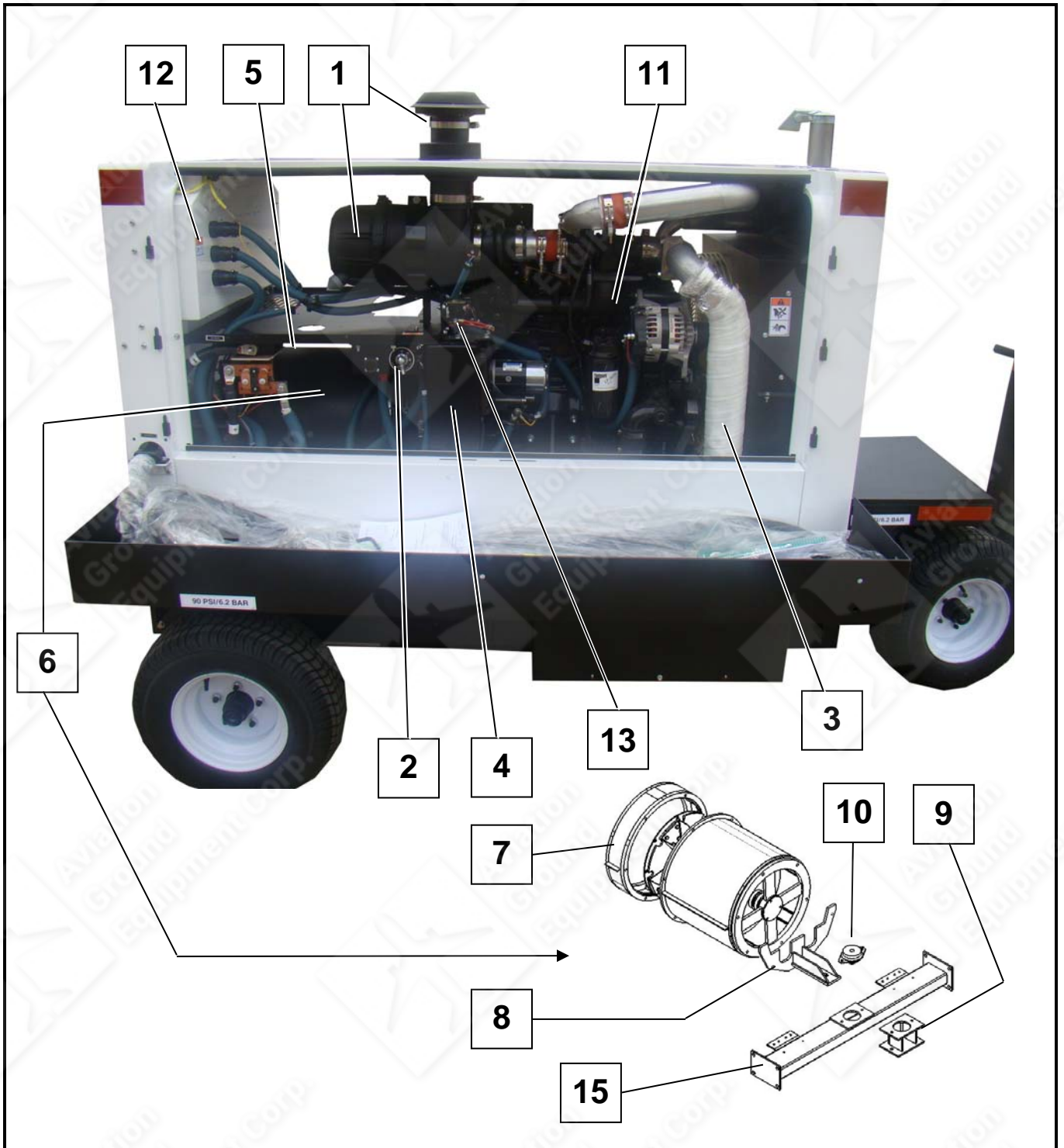


Figure 5 Internal Components (Right Side)

FIGURE - ITEM NO.	HOBART PART NO.	NOMENCLATURE	EFF	QTY.
5 -	1	Engine Air Intake System (See Figure 11)		Ref.
	2	Engine Dongle and Battery Disconnect Panel		Ref.
	291334	... Engine Dongle/Battery Disconnect Panel		1
	290831	... Battery Disconnect Switch		1
	290847 Battery Disconnect Plate		1
	291482	... Disconnect Switch to Starter Cable		1
	W9360-289	... Disconnect Switch to Electronics Panel Cable		1
3		Engine Exhaust System (See Figure 10)		Ref.
4	291152	TR Panel Support Leg		2
5	291066	TR Support Panel		1
6	288985	Generator Assembly (See Figure 17)		1
7	287564	Fan Housing		1
	288003	...Fan Housing Cover		1
8	291262	Generator Support Bracket (mounted on generator)		1
9	292017	Generator Rear Bracket Support		1
10	24656	Mount, Shock		1
11	292052	Cummins QSB4.5 Electronic Engine (V8A334)		1
*	292011	...Bracket, Engine Support		2
*	24656	...Mount, Shock		2
12		Control Box Assembly (See Figures 7 and 8)		1
13	286850	Solenoid, Aux. Starter, 12 VDC		1
*	14 288973-001	Diode, Starter Solenoid		1
15	292016	Generator Support (included with frame)		Ref.

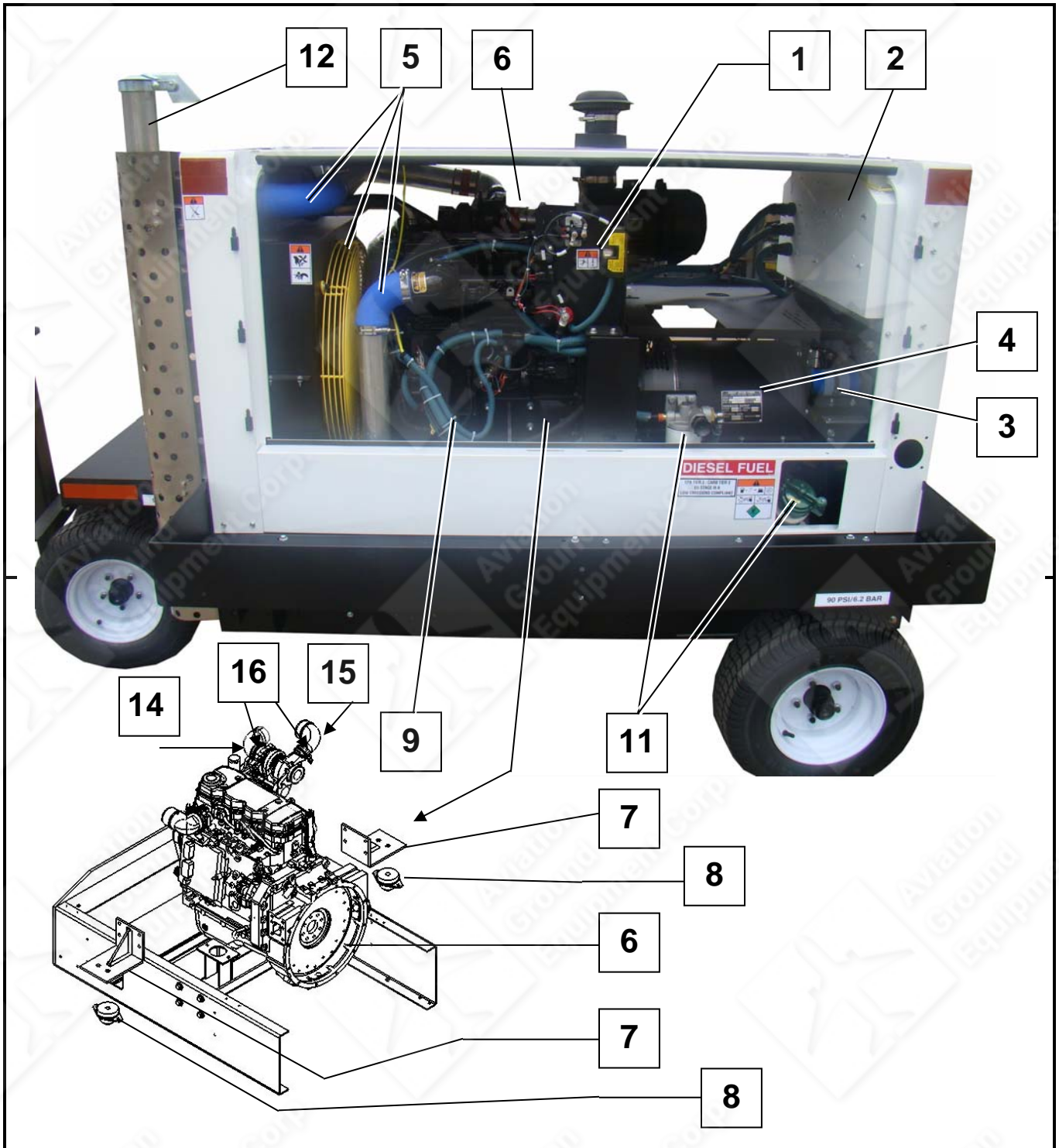


Figure 6 Internal Components (Left Side)

FIGURE - ITEM NO.	HOBART PART NO.	NOMENCLATURE	EFF	QTY.
6 - 1		Engine Electronic Panel (See Figure 14)		1
2	291432-003-A	Control Box Assembly (See Figures 7 and 8)		Ref.
	291432-004	Control Box Assembly, CE (See Figures 7 and 8)		Ref.
3		Rectifier Assembly (See Figure 15)		1
4	288985	Generator Assembly (See Figures 5 and 17)		1
*	287564	...Fan Housing		1
*	288003	...Fan Housing Cover		1
*	291262	... Generator Support Bracket (mounted on generator)		1
*	292017	...Generator Support Column		
*	24656	...Shock Mount		1
5		Engine Cooling System Assembly (See Figure 12)		1
6	292052	Cummins QSB4.5 Electronic Engine		1
7	292011	... Engine Support Bracket		2
8	24656	...Shock Mount		2
9	290918	...Engine Wire Harness		1
*	10 291393	...E-Stop Extension Harness		1
11		Engine Fuel System (See Figure 13)		Ref.
12		Exhaust System Assembly (See Figure 10)		Ref.
13	287464	Label, Fan and Moving Parts		2
14	3999798	Cummins Parts Elbow		1
15	3903652	Cummins Parts Elbow		1
16	4898590	Clamp		1

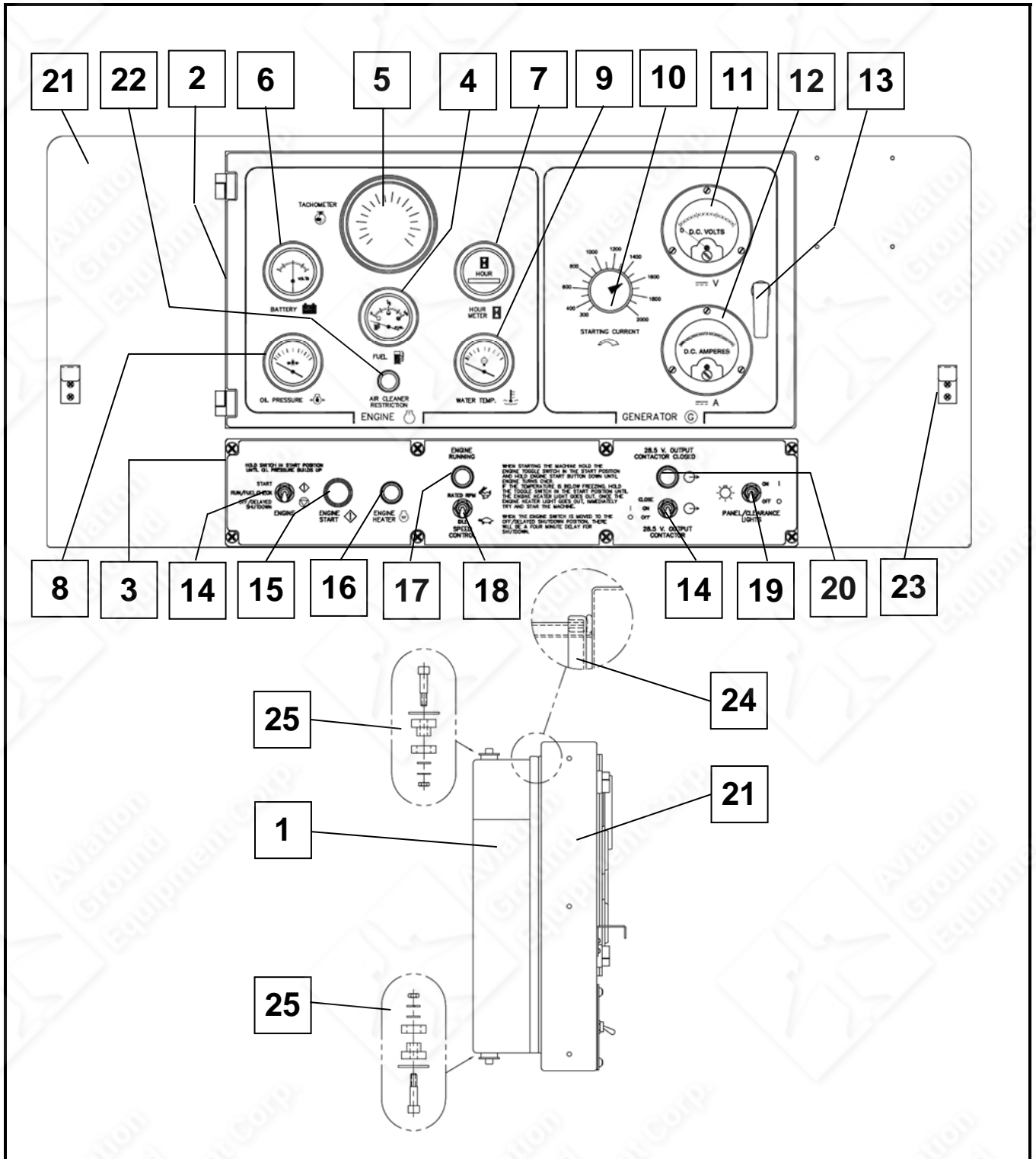


Figure 7 `Control Box Exterior Assembly

FIGURE - ITEM NO.	HOBART PART NO.	NOMENCLATURE	EFF	QTY.
7 -	1	291431		1
	2	289092		1
		290932		1
		288836-001		1
		288836-002		1
*		289078		2
*		040213		AR ft.
	3	290931		1
		040201		12.5 ft.
	4	494134-001		1
	5	408596-001		1
	6	286699-001		1
	7	78A1120-001		1
	8	78A1117-002		1
	9	287908		1
	10	16DA2162		1
		286607-001		1
		402663		1
	11	400642-003		1
	12	400641-012		1
	13	288999-001		1
	14	403189		2
	15	30GH1119		1
		406815		1
	16	HF2518-005		1
*		404173		1
*		404172-002		1
*		IL11562		1
	17	HF2518-008		1
*		404173		1
*		404172-003		1
*		400613-004		1
	18	290957		2
	19	290981		1
	20	HF2518-007		1
*		404173		1
*		404172-003		1
*		400613-003		1
*	21	291307		1
	22	HF2518-002		1
*		404173		1
*		404172-001		1
*		400613-004		1
	23	288020		2
	24	286485-001		124 in.
	25	286388-001		4
		289104-001		4
		286477-002		4
		W11254-003		4

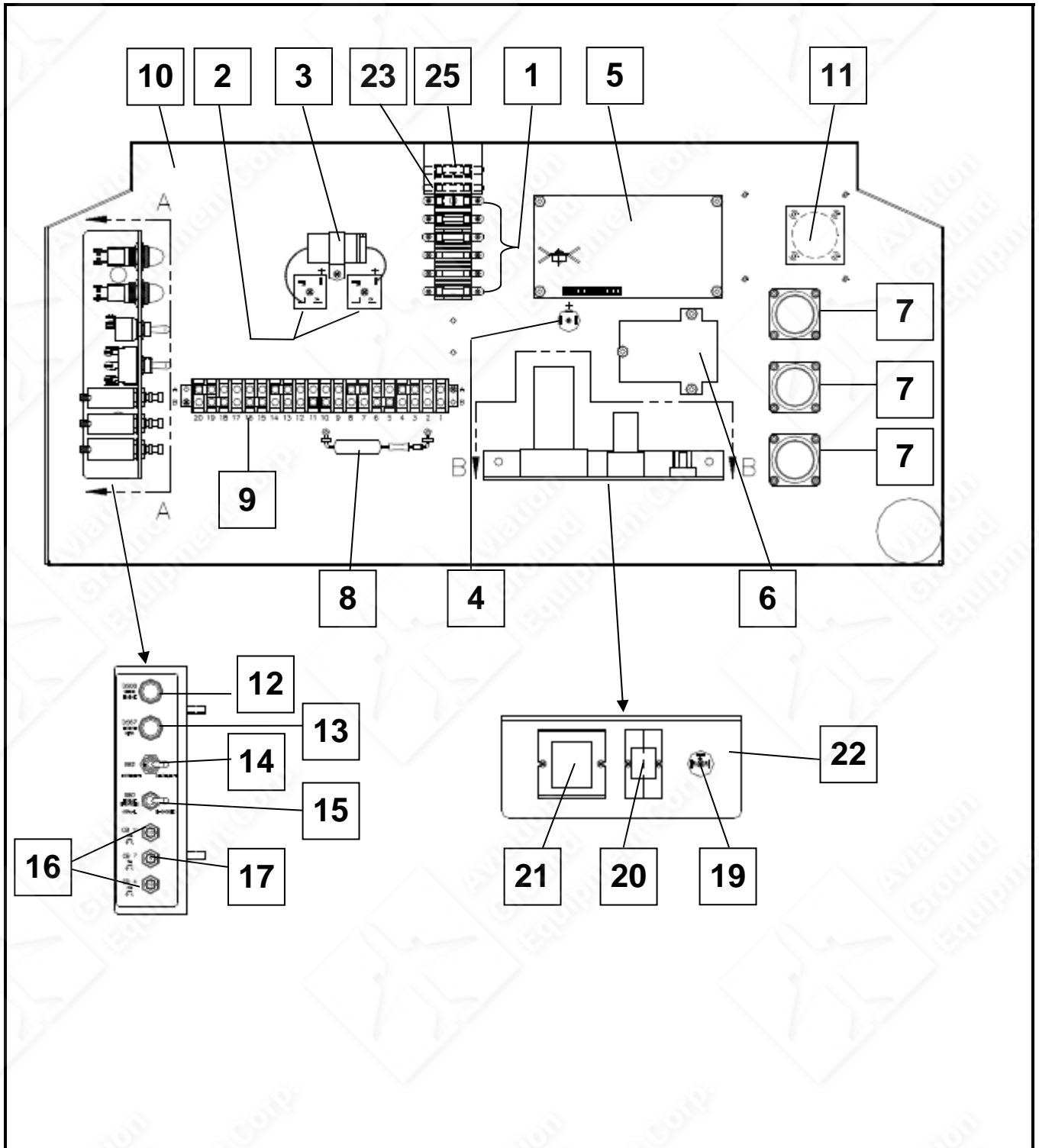


Figure 8 Control Box Interior Assembly

FIGURE - ITEM NO.	HOBART PART NO.	NOMENCLATURE	EFF	QTY.
8 -	1	290958		1
		W11166-003		5
	2	404065-002		2
	3	180593-003		1
		W10051-014		1
	4	407948		1
	5	181022C-005		1
*		84A1075		4
	6	180289A		1
*		84A1075		3
*	7	290925-A		1
	8	287621		1
	9	401937-004		1
	10	291431		1
	11	286611		1
	12	HF2518-005		1
*		404173		1
*		404172-002		1
*		400613-004		1
	13	HF2518-002		1
*		404173		1
*		404172-001		1
*		400613-004		1
	14	288339		1
	15	290959		1
	16	283978-002		2
	17	283978-001		1
	18	290947		1
		290949		1
	19	407948		1
	20	79B1140		1
		408352		1
	21	290927		1
		79B1138		1
	22	290948		1
	23	291865-001		1
		288303		Ref.
		W-11166-11		Ref.
	24	291864		1
	25	W11166-002		1

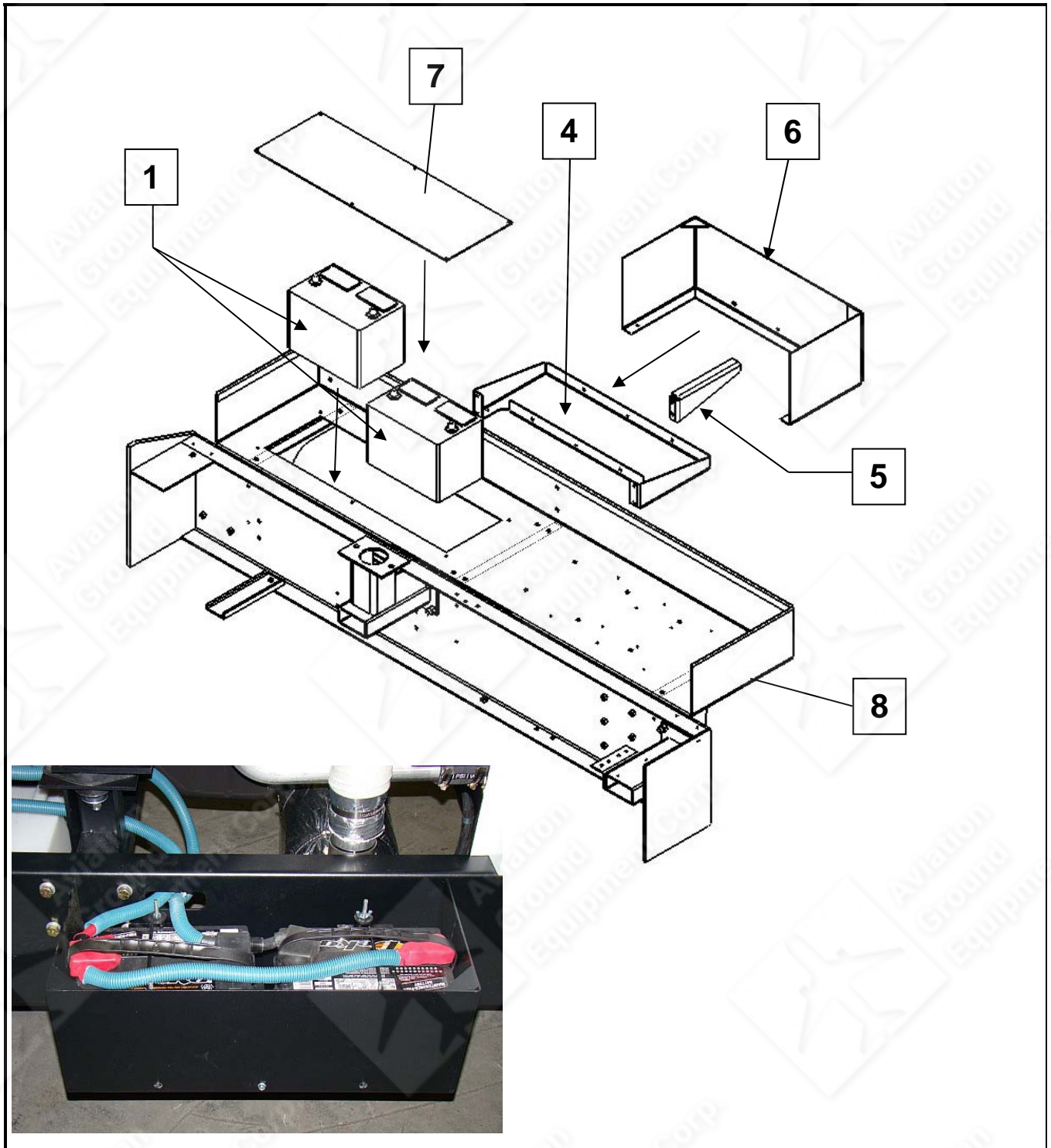


Figure 9 12VDC Battery Components

FIGURE - ITEM NO.	HOBART PART NO.	NOMENCLATURE	EFF	QTY.
9 -	1	281881-001		2
		287796		2
		494295		4
*	2	290902		1
*	3	291481		1
	4	287795		1
	5	291160		1
	6	291067		1
	7	291093		1
	8	291092		2

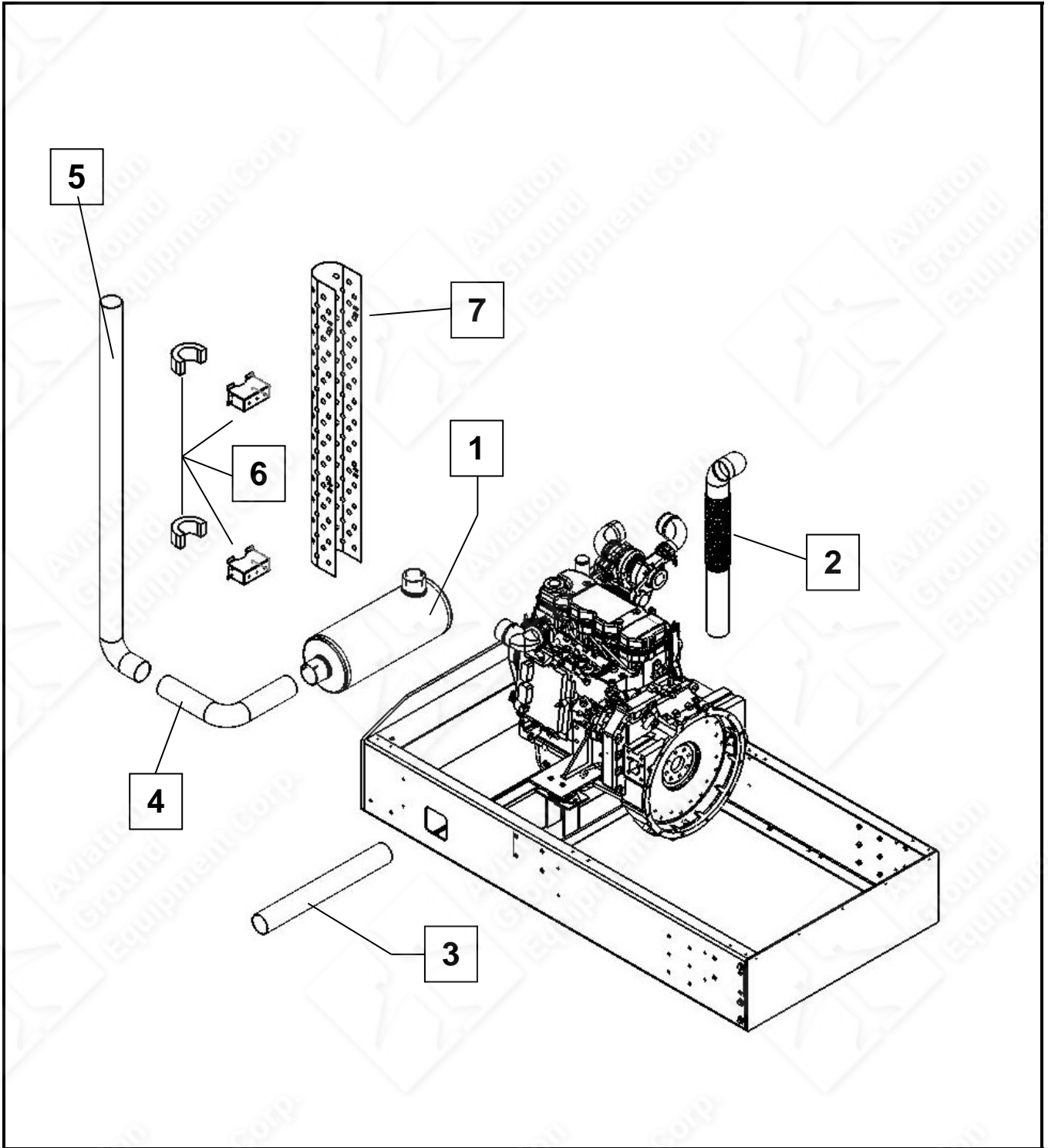


Figure 10 Exhaust System Assembly

FIGURE - ITEM NO.	HOBART PART NO.	NOMENCLATURE	EFF	QTY.
10 - 1	291168	Muffler and Exhaust Ay.		1
	IN5016	...Muffler Wrap Insulation		3.5 ft ²
	288052-002	...Accuseal Clamp (3.0")		2
	291077	Exhaust Flex Pipe Assembly		1
2	EB5224	...Muffler Wrap Insulation		1.7 ft ²
	404154-013	...Full Circle Clamp (3.0")		1
3	W10869-006	...Stainless Steel Hose Clamp		7
	291169	Exhaust Outlet Pipe (<i>optional exhaust routing</i>)		1
	288052-002	...Accuseal Clamp (3.0")		1
	EB5224	...Muffler Wrap Insulation		1.5 ft ²
4	W10869-006	...Stainless Steel Hose Clamp		2
	291379	Exhaust Outlet Elbow		1
	288052-002	...Accuseal Clamp (3.0")		1
	EB5224	...Muffler Wrap Insulation		3.0 ft ²
5	W10869-006	...Stainless Steel Hose Clamp		2
	291380	Exhaust Pipe		1
6	288052-002	...Accuseal Clamp (3.0")		2
	291383	Stainless Steel Exhaust Clamp		2
7	291382	Stainless Steel Exhaust Guard		1
*	291394	Exhaust Hole Cover (used to cover optional opening)		1

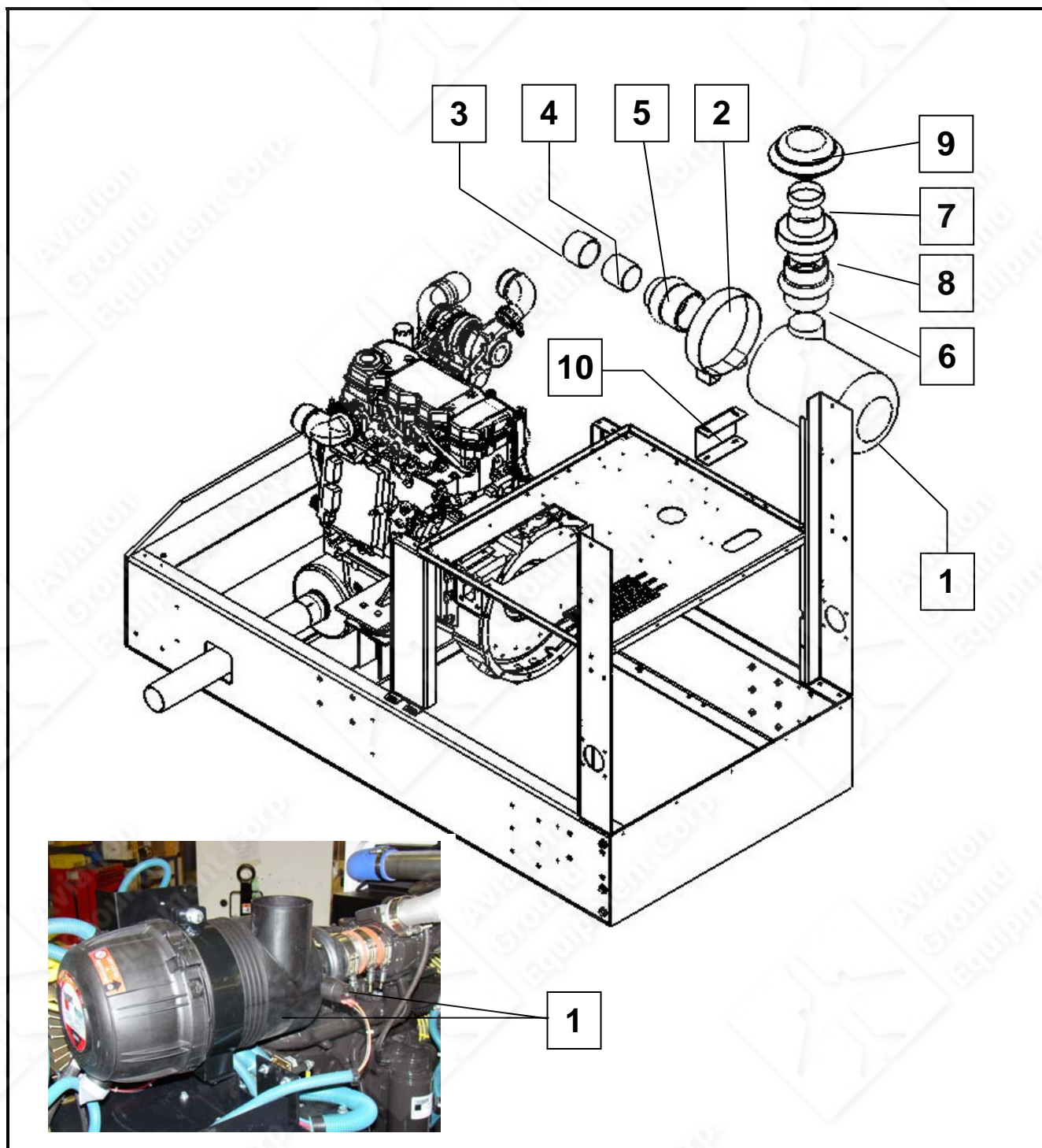


Figure 11 Engine Air Intake Assembly

OM 2241-A / Operation and Maintenance Manual
 JetEx6D / Series 500074A / 28.5 VDC Generator Set

FIGURE - ITEM NO.	HOBART PART NO.	NOMENCLATURE	EFF	QTY.
11 -	1 290938	Air Cleaner		1
		282918 ...Air Restriction Indicator		1
		282919 ...Indicator Adapter Fitting		1
	2 290940	Air Cleaner Bracket		1
	3 290936	3 in. I.D. Straight Hose		1
	4 291453	Air Cleaner Tube		1
	5 288197-001	3 in to 4 in. Hump Hose Fitting		1
*	290597-001	...3 in Floating Bridge Clamp		2
*	290597-006	...4.5 in Floating Bridge Clamp (V54646 # 94143-0450)		1
				1
*	290597-007	...3.5 in Floating Bridge Clamp		1
	6 290953	4 in. Hump Hose Fitting		1
	7 290952	Hump Hose Sleeve		1
	8 290951	Intake Air Extension		1
	9 290939	Weather Hood		1
	10 291078	Air Filter Mounting Bracket		1

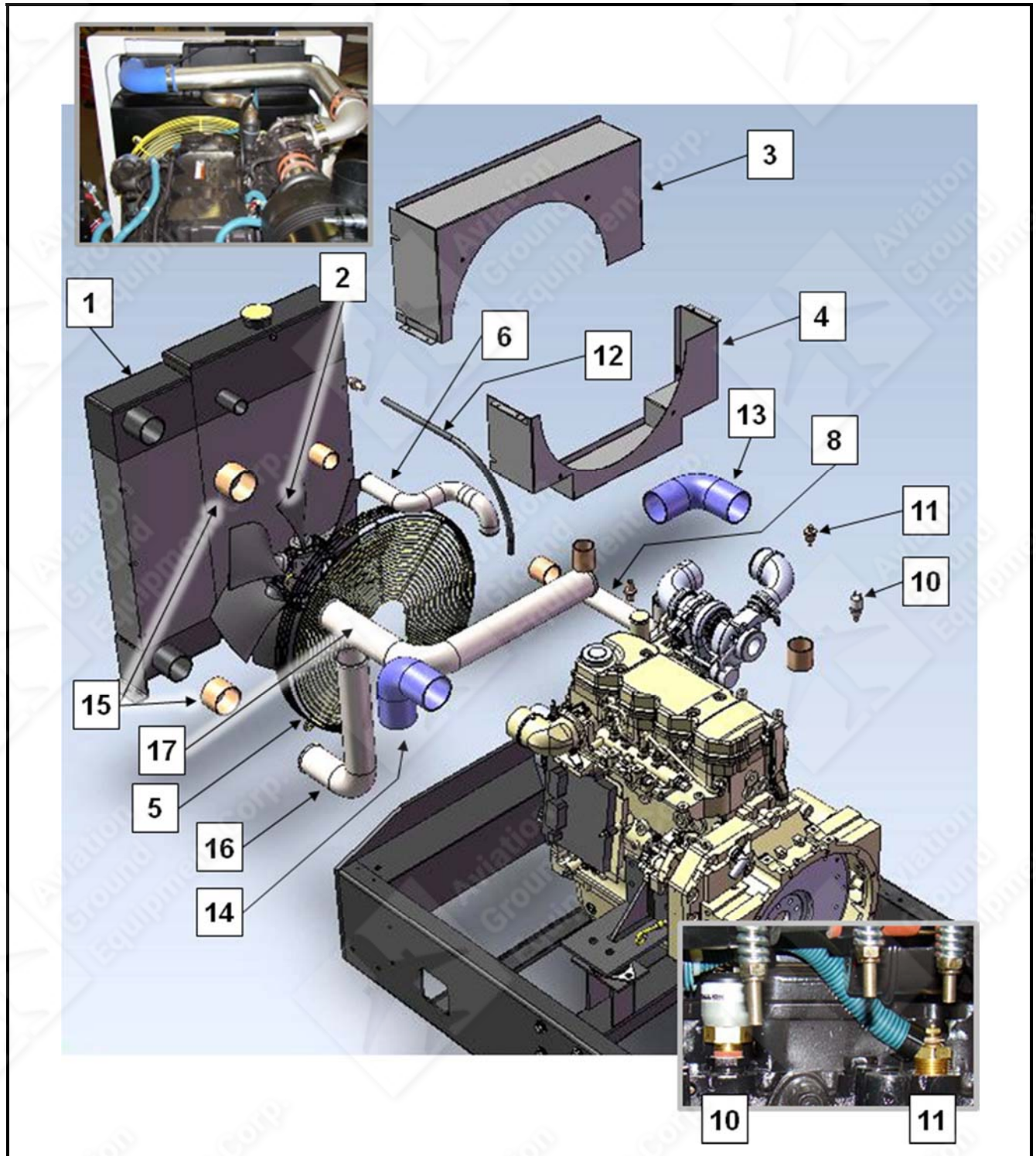


Figure 12 Engine Cooling System Assembly

FIGURE - ITEM NO.	HOBART PART NO.	NOMENCLATURE	EFF	QTY.
12 -	1 291223	Radiator/CAC Assembly		1
*	290145	...Coolant Level Sensor		1
*	283873	...Radiator Drain Valve		1
	2 291224	Radiator Fan, 22" Diameter		1
	3 291070	Top Fan Shroud		1
	291097	...Access Panel		1
	4 291071	Bottom Fan Shroud		1
	5 291225	Fan Guard		1
	6 291072	Top Radiator Hose		1
	7 289200-001	...1.75" ID Hose (each piece is 3" long)		2
	8 291073	Bottom Radiator Hose		1
	9 289200-002	...2.25" ID Hose (each piece is 3" long)		2
	10 403782-002	210° F Shutdown Switch		1
	11 287909	Water Temperature Sender		1
*	W7814-004	...Bushing, Pipe, Steel 3/8 x 1/2		1
	12	Deaeration Line		1
	288123-001	...Male Connector		2
	13 289828	3.00" ID 90° Elbow		1
	14 289827	3.00" ID 90° Elbow		1
	15 290936	3.00" ID Connection Hose		2
	16 291075	CAC Intake Manifold Hose		1
*	290597-001	...CAC Cooler Hose Clamps		4
	17 291074	CAC Turbo Outlet Hose		1
*	290597-001	...CAC Cooler Hose Clamps		4

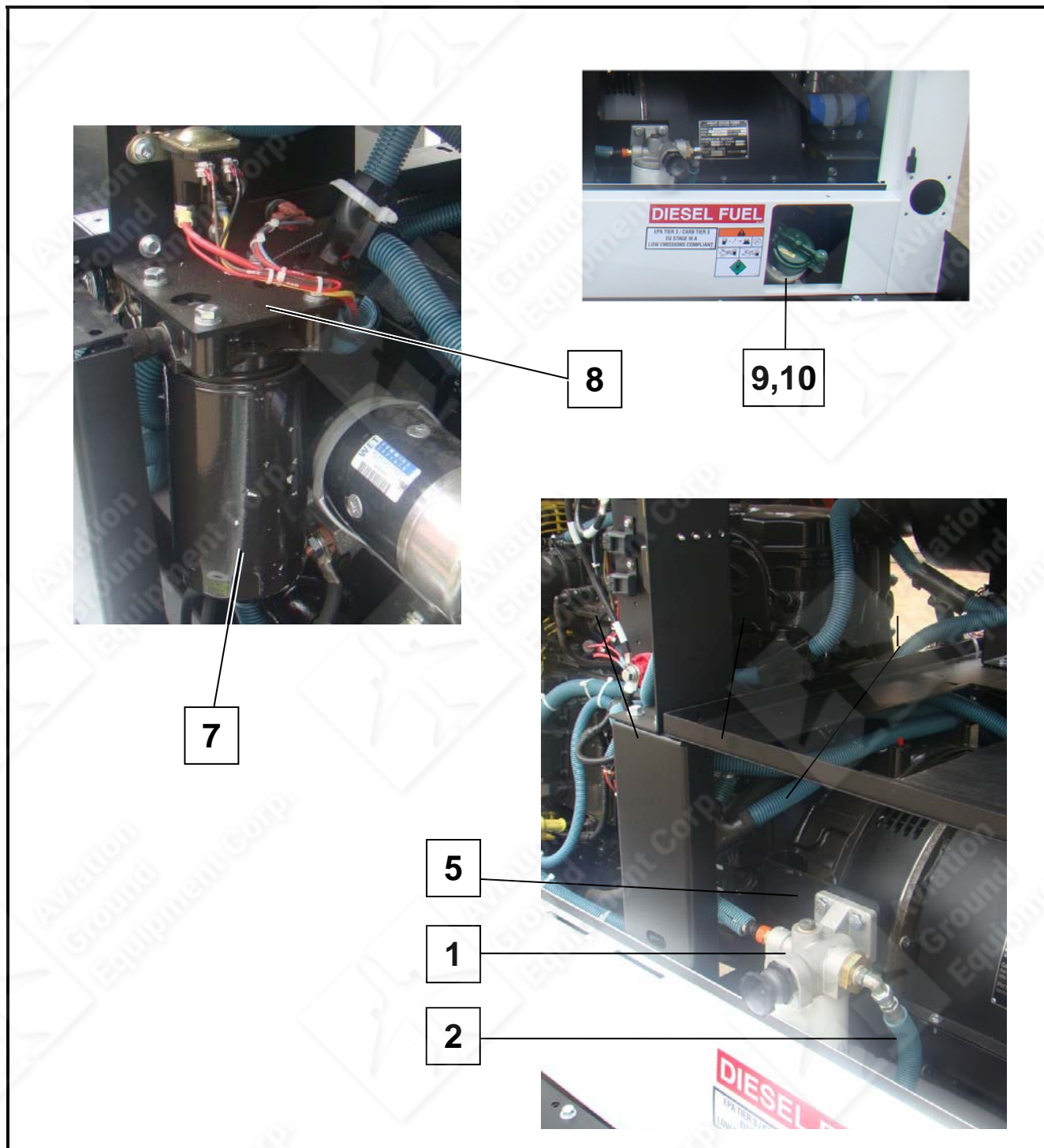


Figure 13 Fuel System Components

FIGURE - ITEM NO.	HOBART PART NO.	NOMENCLATURE	EFF	QTY.	
13 -	1	286897-031		Lubricity Fuel Filter	1
	2	290685		Tank to Filter Fuel Line	1
*		290388		...12 mm x 3/8 MJIC Adapter	1
*	4	Call Factory		Filter to Pump Fuel Line (<i>supplied with engine</i>)	1
	5	291076		Lubricity Fuel Filter Bracket	1
*	6	290686		Fuel Return Line	1
	7	286897-036		Filter, Primary Fuel	1
	8	289037		Primary Fuel Filter Bracket	1
	9	291420		50 Gallon Composite Fuel Tank (See Figure 2)	1
*		486719-005		...12 V Fuel Gauge Sender	1
*		291407		... Fuel Tank Bellypan	1
*		291408		... Fuel Tank Strap	2
*		291409		...Fuel Tank Rubber Strap	2
	10	282562		Cap, Fuel Fill, Diesel Green	1
	11	287461		Label, Fuel Warning	1
	12	76B1148		Diesel Fuel Label (near filler neck)	1

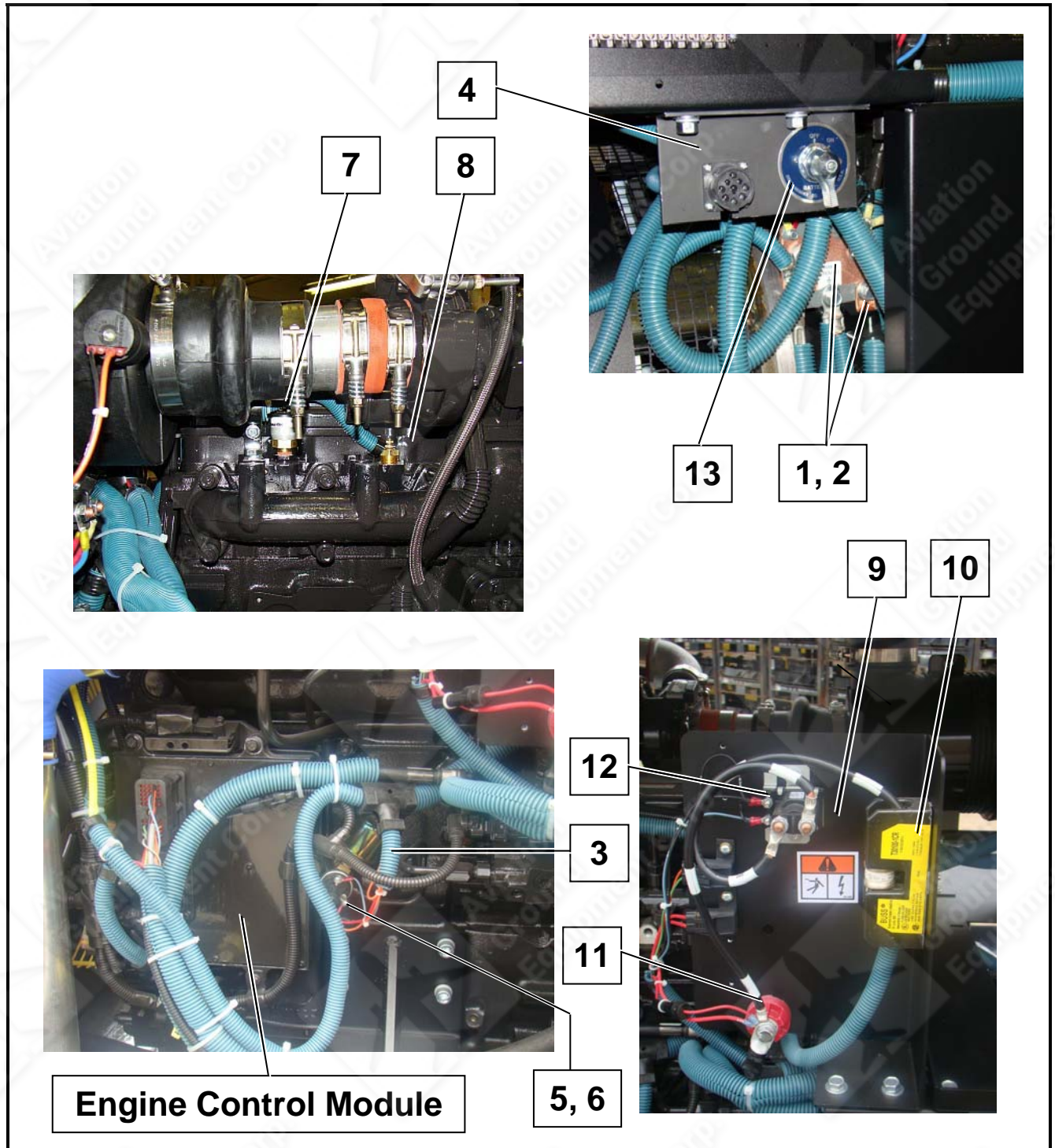


Figure 14 Engine Components

FIGURE - ITEM NO.	HOBART PART NO.	NOMENCLATURE	EFF	QTY.
14 -	1	W9407-446	Ground Cable	2
	2	287735	Ground Plate	1
		405548	...Label, Frame Ground	3
	3	290918	Engine Wire Harness (shown throughout)	1
4	291334	Engine Dongle Panel		1
5	78B1118-002	Oil Pressure Sender		1
6	403809-002	Oil Pressure Switch		1
	W7814-000	... Bushing, Pipe, Steel, 1/4 x 1/8		1
	286903	... M14-1.5 x 1/4 NPT Adapter		1
	W10910-000	...Tee Fitting		1
	W10750-001	...1/8 Pipe Nipple		1
7	403782-002	Water Temperature Switch		1
	W7814-004	...Bushing, Pipe, Steel 3/8 x 1/2		1
8	287909	Water Temperature Sender		1
9	291248	"E" Engine Parts Panel		1
10		Engine Preheater Fuse Circuit		
	287145-001	...Fuse Holder		1
	287144-002	...125 A Fast Acting Fuse		1
11	283154-001	Standoff Insulator		1
12	288331	Relay, Grid Heater		1
	489658-007	...Diode Assembly		1
13		Engine Dongle and Battery Disconnect Panel		Ref.
	291334	... Engine Dongle/Battery Disconnect Panel		1
	290831	... Battery Disconnect Switch		1
	290847 Battery Disconnect Plate		1
	291482	... Cable, Disconnect Switch to Starter		1
	W9360-289	... Cable, Disconnect Switch to Electronics Panel		1

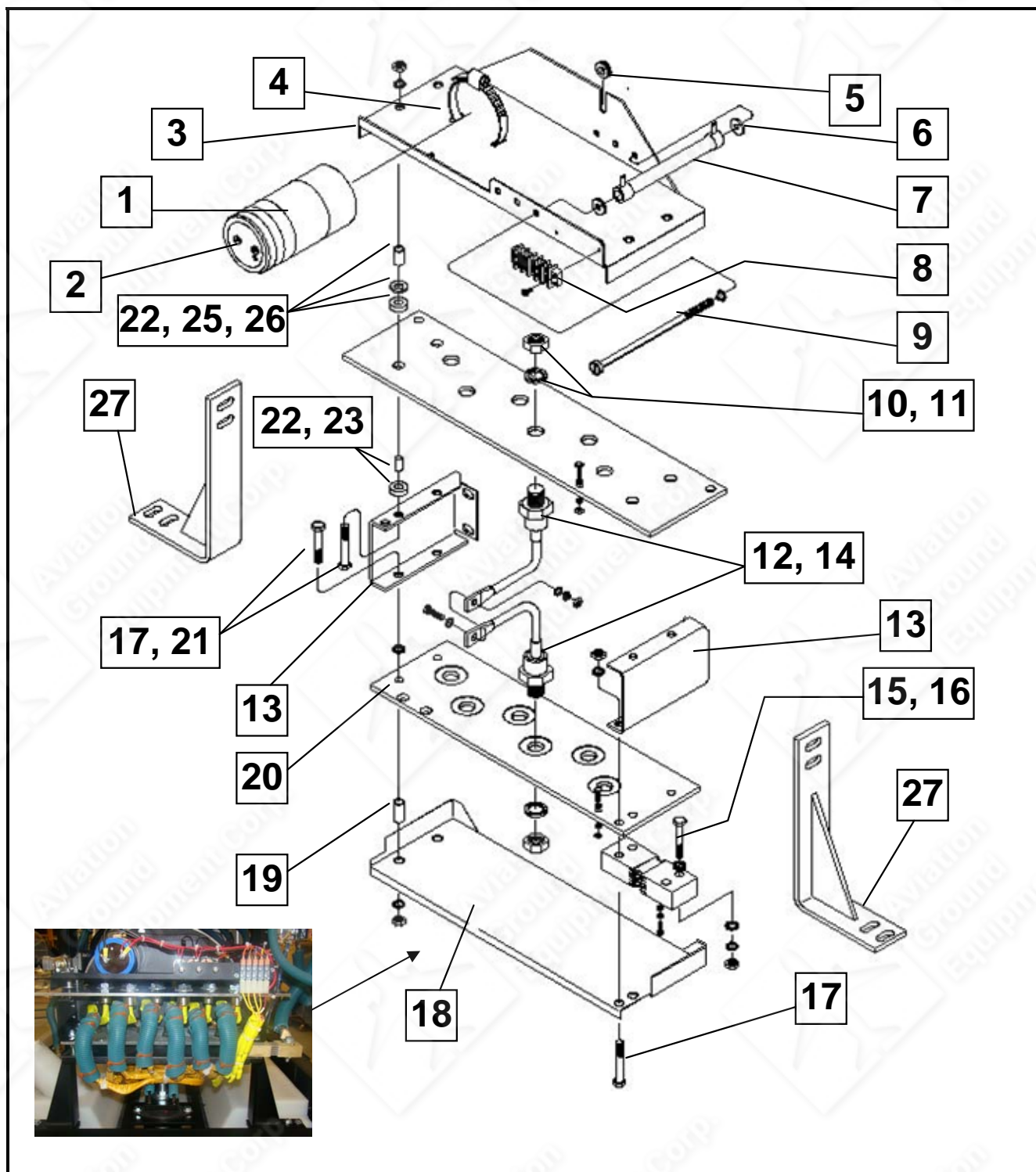


Figure 15 Rectifier Components

FIGURE - ITEM NO.	HOBART PART NO.	NOMENCLATURE	EFF	QTY.
15 -	288306	Rectifier Assembly		Ref.
1	287184-003	Capacitor Insulator		1
2	405278-006	Capacitor, 90,000 MFD, 75 VDC		1
3	286887	Shroud, Air, Top, Rectifier		1
4	W10869-006	Capacitor Clamp		1
5	402037-004	Rubber Grommet		1
6	16DA3493	Insulating Washer		6
7	288380-001	10 OHM, 100 W Resistor (V44655 #61917)		3
8	400589-001	5 Station Terminal Block (V6S553)		1
		Preload Resistor Hardware		
9	W11114-012	...Screw, 1/4-20 X 7-1/4 inches Lg.		3
		Diode Hardware		
10	W11280-015	...Nut, Jam, Hex, 3/4-16		12
11	494681-001	...Spring Washer		12
12	DR11171	Positive Rectifier (V81483 #300U30A)		6
13	286884	Heat Sink Bracket		2
14	DR11170	Negative Rectifier (V81483 #300UR30A)		6
		Shunt Hardware		
15	W11097-007	...Screw, HHC, 3/8-16 x 2 inches Lg.		1
16	180065	2000 A Shunt		1
		Top and Bottom Connection Hardware		
17	W11097-007	...Screw , 3/8-16 x 2 inches Lg.		5
18	285647	Bottom Rectifier Air Shroud		1
19	180600	Rectifier Spacer		3
20	282239	Negative Rectifier Heat Sink		1
		Top and Bottom Connection Hardware		
21	W11097-022	...Screw , 3/8-16 x 2-1/2 inches Lg.		4
22	A25	Insulating Washer		8
23	AW626	Bushing, Insulating		4
24	286813	Positive Rectifier Heat Sink		1
		Top and Bottom Connection Hardware		
25	W11242-018	...Washer, Flat, 3/8"		8
26	283063	...Rectifier Spacer		8
27	291433	Rectifier Mounting Bracket		2
*	28	288015	Wire Harness	1
*	29	291358	Splice, Solder	3

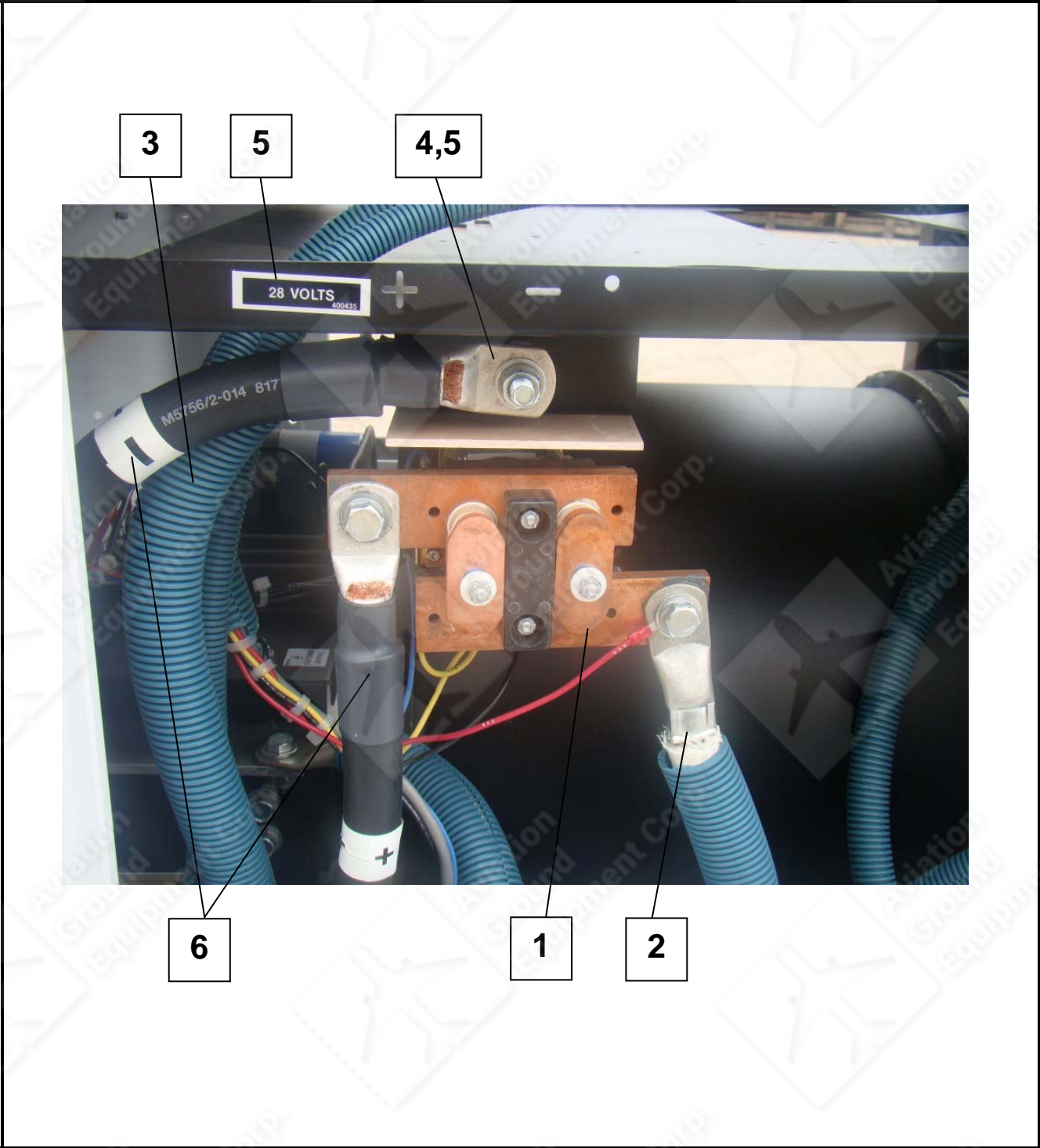


Figure 16 Contactor Components

FIGURE - ITEM NO.	HOBART PART NO.	NOMENCLATURE	EFF	QTY.
16 -	1	286810-001		
		800 AMP DC Contactor (V01XD4 #CT800A-24C2)		1
		286849		1
		...Contactor Insulator		1
*		489658-010		1
		... Fly-back Diode		1
	2	W9218-251		1
		Positive Output Cable		1
	3	W9218-251		1
		Negative Output Cable		1
	4	Negative Cable Connection		
		A25		2
		...Insulating Washer		2
		AW626		1
		... Insulating Bushing		1
	5	400435		1
		28 V Label		1
	6	402025-003		1
		...30 ft DC Output Cable		1

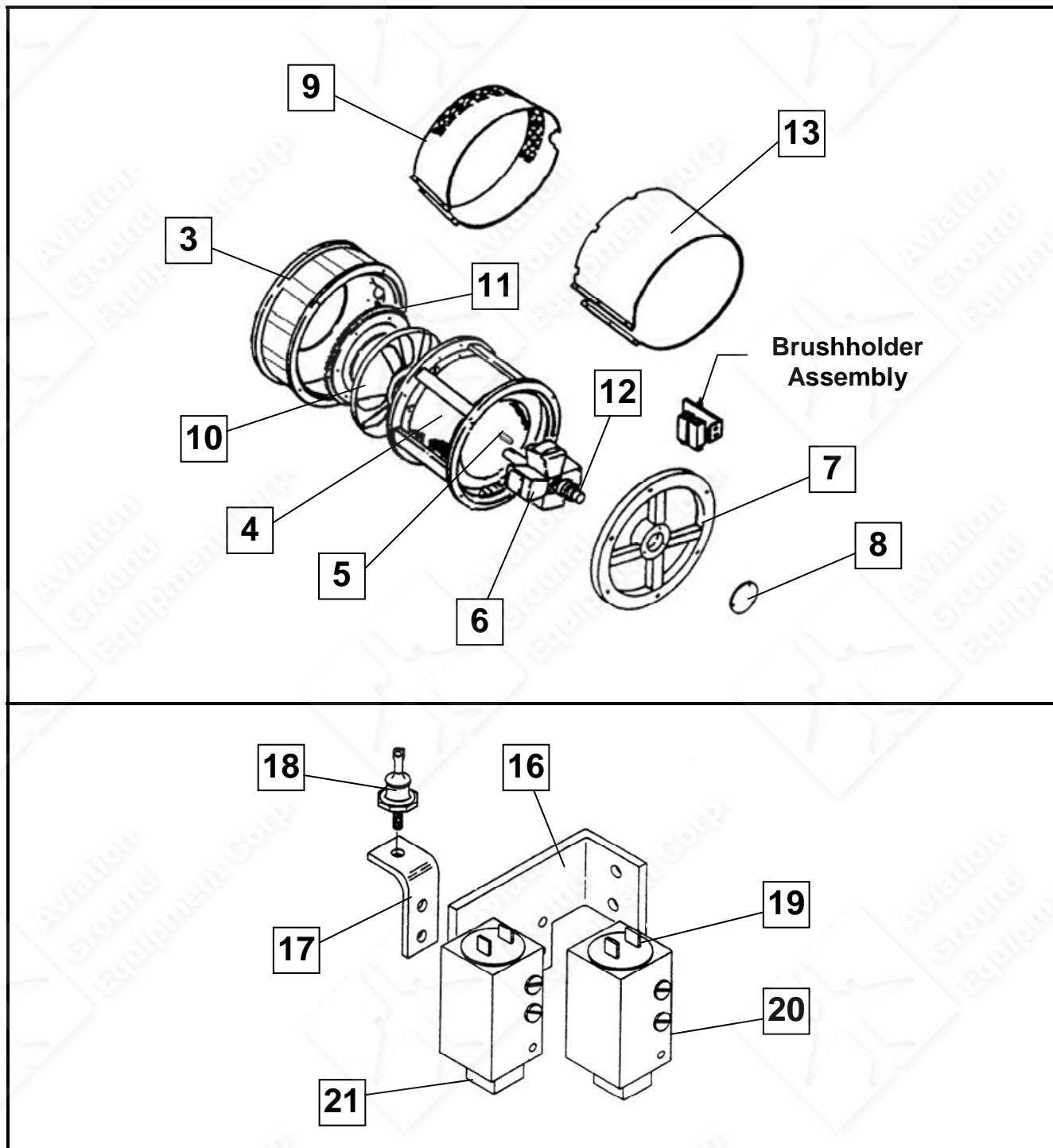


Figure 17 Generator Components and Brush Holder Assembly

FIGURE - ITEM NO.	HOBART PART NO.	NOMENCLATURE	EFF	QTY.
17 -	1 288210	Spare Generator (Replacement Only)		1
*	2 284371-002	Shock Mount (V5P059 # 51508-2)		1
	288985	Generator Assembly		Ref.
	3 287564	Fan Housing		1
	4 288984-001	Housing & Stator Assembly		1
	5 489135	Coupling Key		1
	6 180776	Armature		1
	7 488555-001	Housing, Bearing Assembly		1
	8 287401	Bearing Cap		1
	9 288003	Fan Housing Cover		1
	10 290646	Fan and Coupling Assembly		1
*	85C1004-002	...Split Taper Bushing		1
	11	Flywheel - (Supplied with Engine)		Ref.
	12 354592	Slip Ring		2
	13 281688	Generator Housing Cover		1
*	14 W10072-063	Bearing, Rear (V23803 #6207LLUC3)		1
*	15 291262	Rear Generator Support Bracket		1
	488784	Brush Holder Assembly		Ref.
	16 488562	Brush Holder Bracket		1
	17 488628	Diode Bracket		1
	18 408999-001	Diode, Silicon, 30 A, Positive Assembly		1
	19 402531	Cap		2
	20 402530	Guide		2
	21 402788	Brush, AC		2
	22 489426	Chart, Wire, Brush Holder		1