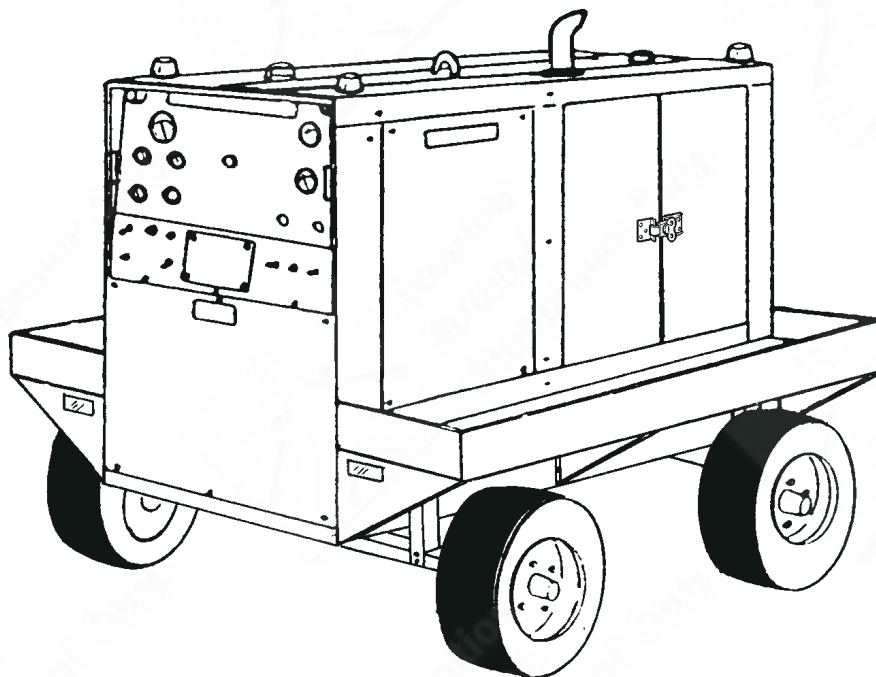




**Aviation  
Ground  
Equipment Corp.**

**HOBART**<sup>®</sup>  
GROUND POWER

## Illustrated Parts List



## Jet-Ex 4D Generator Sets Series 7003B

---

## Section 1. Parts List

---

### 1. Explanation of Parts List Arrangement

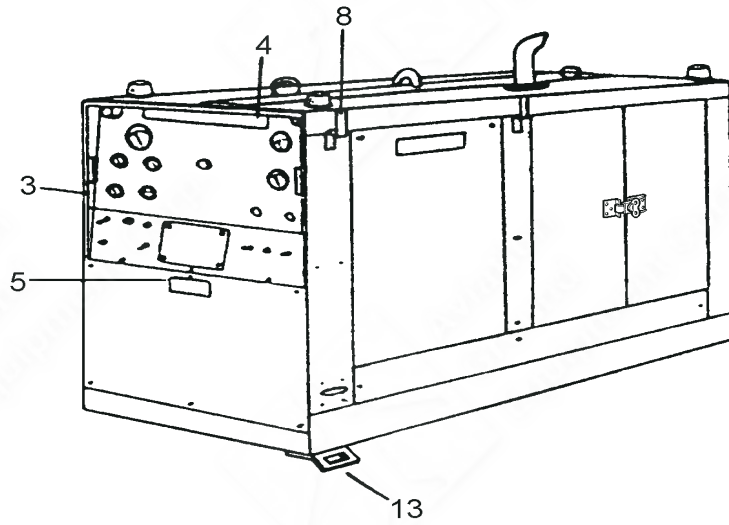
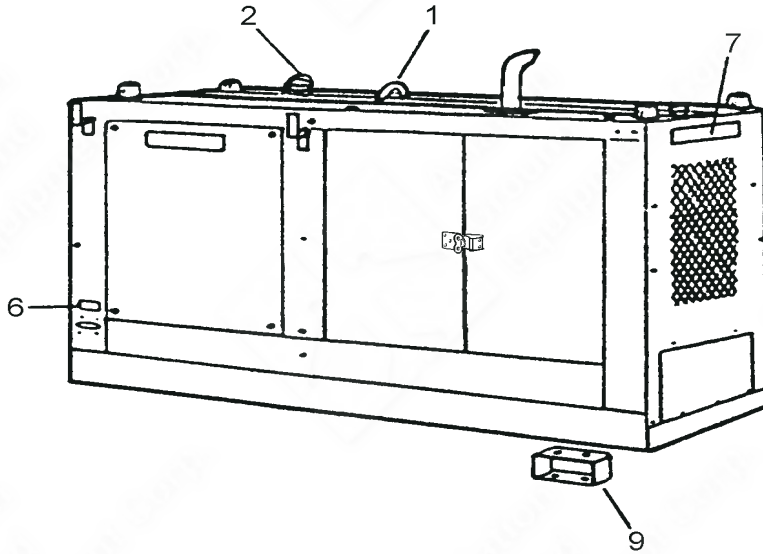
The parts list is arranged so that the illustration will appear on a left-hand page and the applicable parts list will appear on the opposite right-hand page. Unless the list is unusually long, the user will be able to look at the illustration and read the parts list without turning a page.

### 2. Symbols and Abbreviations

The following is a list of symbols and abbreviations used in the parts list.

- \* - item not illustrated
- A, or AMP** - ampere
- AC** - alternating current
- AR** - as required
- DC** - direct current
- Fig.** - Figure
- hd.** - head
- hex** - hexagon
- Hz** - Hertz (*cycles-per-second*)
- I.D.** - inside diameter
- IN** - inch
- kVA** - kilovolt-ampere
- uF** - microfarad
- No.** - number
- OM** - Owners Manual
- PRV** - peak reverse voltage
- PSI** - pounds per square inch
- Ref** - reference (*the item has been listed previously*)
- TM** - Technical Manual
- v** - volt (*when used as a prefix to a five-digit number, indicates vendor code*)

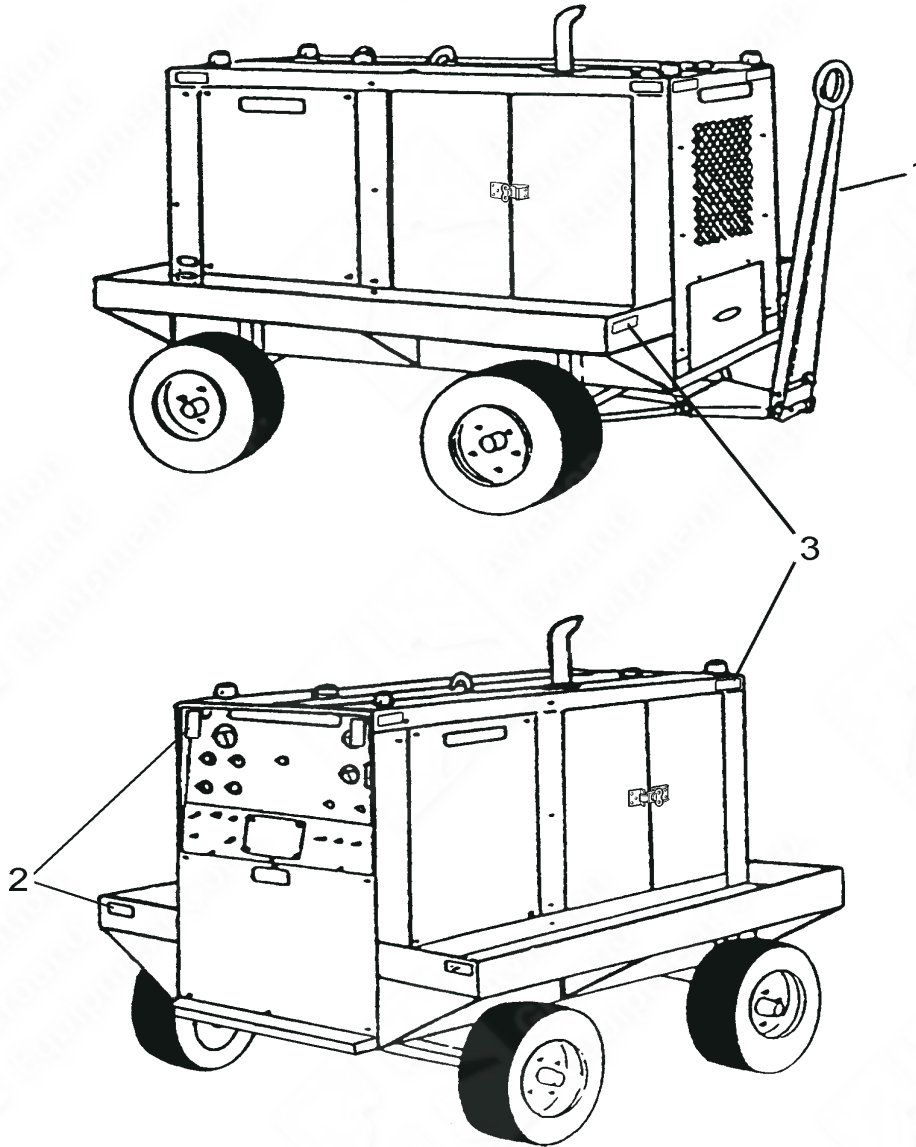
**NOTE:** An item which does not reflect an index number is an assembly which is not illustrated in its assembled state, or it is similar (right-hand, left-hand, top, etc.) to an item which is illustrated.



**Generator Set Stationary Mounting Assembly**  
**Figure 1**

FIGURE & ITEM NO.	HOBART PART NO.	AIRLINE PART NO.	NOMENCLATURE							EFF	QTY
			1	2	3	4	5	6	7		
<b>1-</b>	<b>7003B-1</b>		<b>GENERATOR SET, STATIONARY</b>								<b>REF</b>
1-1	489203		. YOKE, LIFTING ASSY., (See Fig. 14)								1
1-2	282562		. CAP, FUEL, GREEN, V49234, NO. 1275 (Modified)								1
1-3	181251		. PANEL, CONTROL ASSY, (See Fig. 6)								1
1-4	84B-1078		. LABEL, OPERATING INSTRUCTIONS								1
1-5	81B-1064		. LABEL, ENGINE DRIVE								1
1-6	400435		. LABEL, NAMEPLATE, 28V								1
1-7	402987		. NAMEPLATE, HOBART								3
*	489689		. KIT, SPACER, STATIONARY MTG. (OPTION)								1
*	489690		. . CRATE, SHIPPING, EXPORT (OPTION)								1
*	404469-4		. . COVER, PROTECTIVE, POLTHN. (OPTION)								1
1-8	DWP-982		. . BRACKET, CABLE								2
1-9	488904		. . BRACKET, SPACER FRAME ASSY.								4
*	78A-1000		. NAMEPLATE, ID								1
*	79A-1110		. NAMEPLATE, OPTION								1
1-12	489267		. CANOPY ASSY (For Details See Fig. 4)								1
*	180298		. KIT, TIE DOWN ASSY. (OPTION)								REF
1-13	180297		. . BRACKET, MTG. TIE DOWN								4
*	W-11242-12		. . WASHER, FL.ST. 1/2								8
*	W-11280-11		. . NUT, 1/2-20 HEX, JAM, ST.								8
*	W-11100-3		. . SCREW, 1/2-13 X 1-1/4, HHC. ST.								8
*	W-11254-8		. . WASHER, LK, STD. 1/2								8
*	489848		. CRATE, SHIPPING, EXPORT (OPTION)								1
*	408789		. WHEEL, SOLID RUBBER, ASSY. (MILITARY TREAD), (OPTION)								1
*	408790		. WHEEL, SOLID RUBBER, ASSY. (RIB TREAD), (OPTION)								1
*	283621		. HANDLE, GRIP								1
*	281991		. RETAINER, FUEL DRIP, ASSY., (OPTION)								1

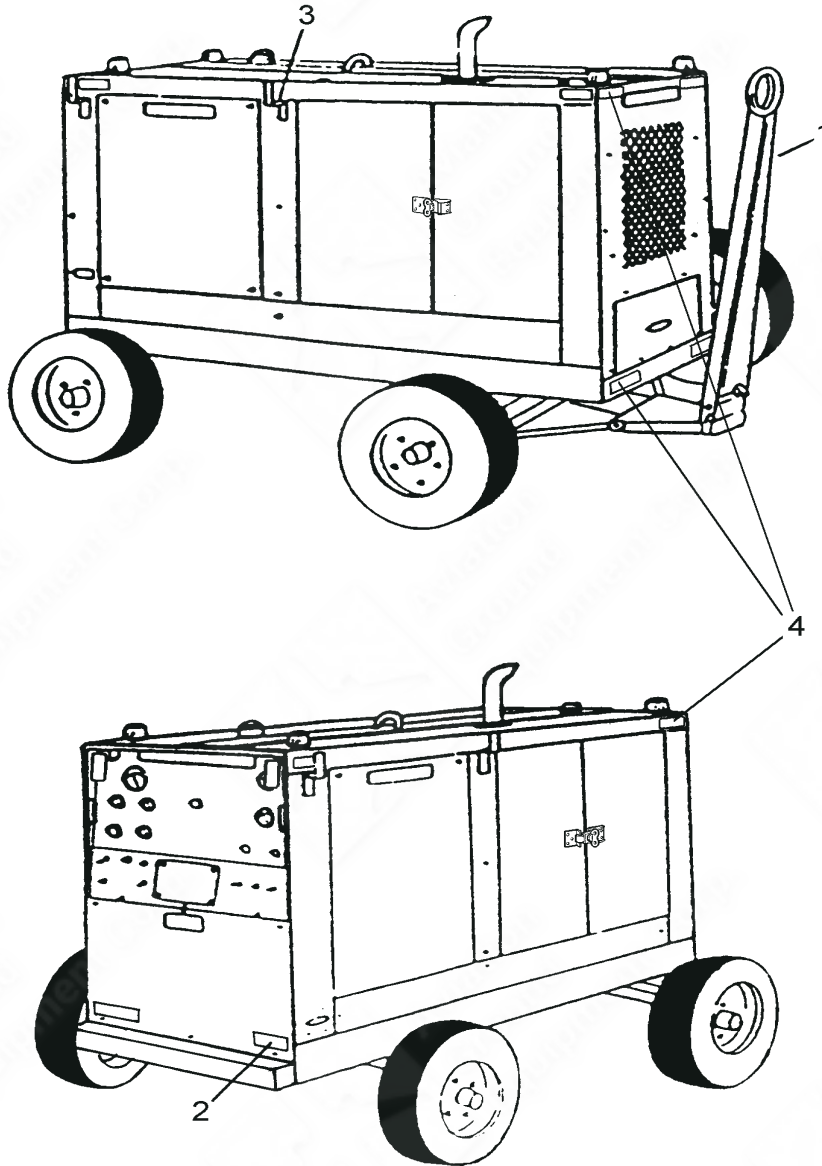
\* NOT ILLUSTRATED



**Generator Set W/Portable Mounting and Fenders (OPTION)**  
**Figure 2**

FIGURE & ITEM NO.	HOBART PART NO.	AIRLINE PART NO.	NOMENCLATURE							EFF	QTY
			1	2	3	4	5	6	7		
2-	7003B-1		<b>GENERATOR SET W/ PORTABLE MTG. AND FENDERS (OPTION)</b>								<b>1</b>
2- 1	181000-1		. TRAILER, ASSY, ( <i>OPTION</i> )								1
2- 2	408665-1		. REFLECTOR, RED								4

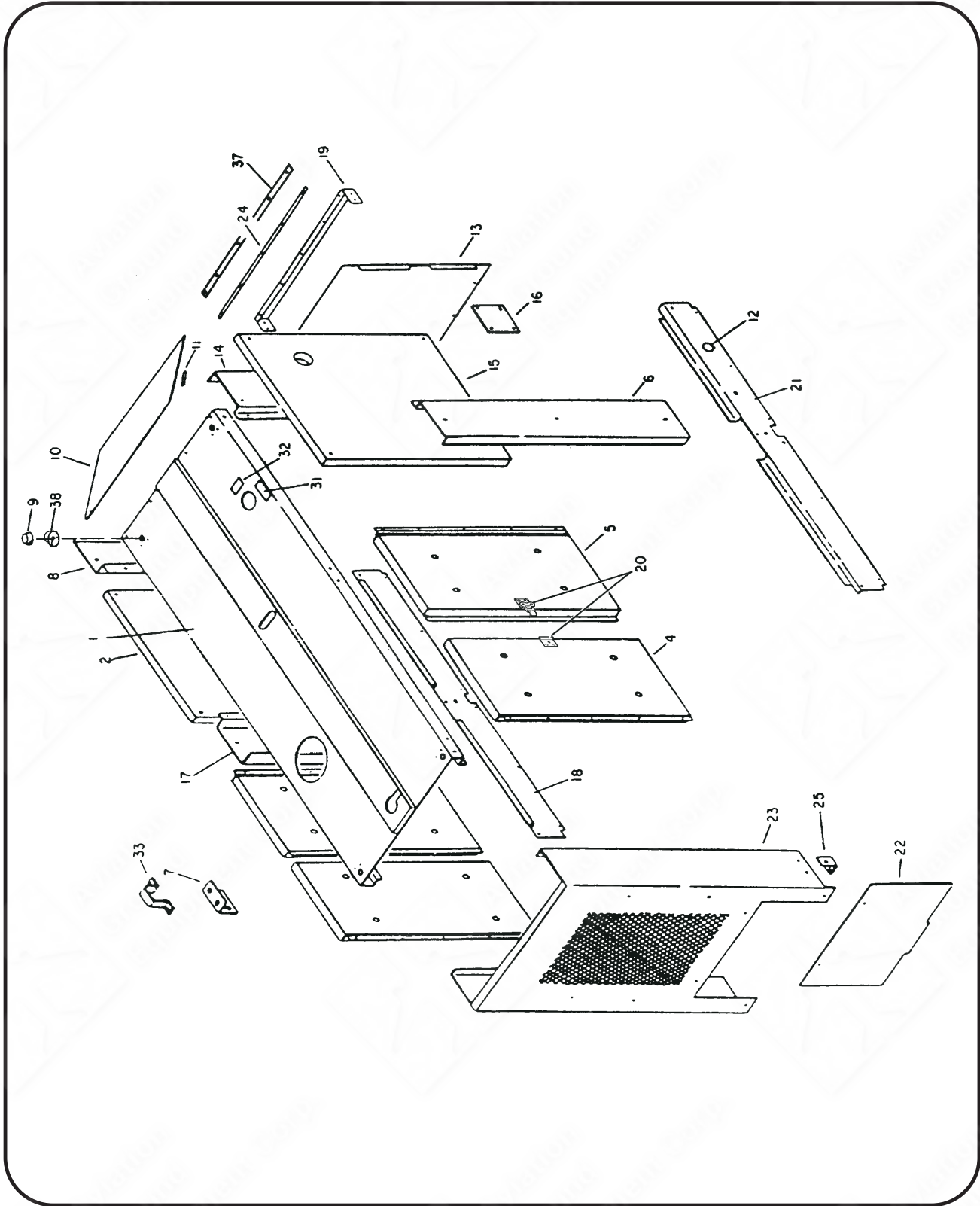




**Generator Set W/Portable Mounting (OPTION)**  
**Figure 3**

FIGURE & ITEM NO.	HOBART PART NO.	AIRLINE PART NO.	NOMENCLATURE							EFF	QTY
			1	2	3	4	5	6	7		
3-	7003B-1		<b>GENERATOR SET JET-EX 4D WITH PORTABLE MTG. (OPTION)</b>								1
3- 1	181000-2		. TRAILER ASSY., (OPTION)								1
3- 2	408665-1		. REFLECTOR, RED								4
3- 3	DWP-982		. BRACKET, CABLE								2



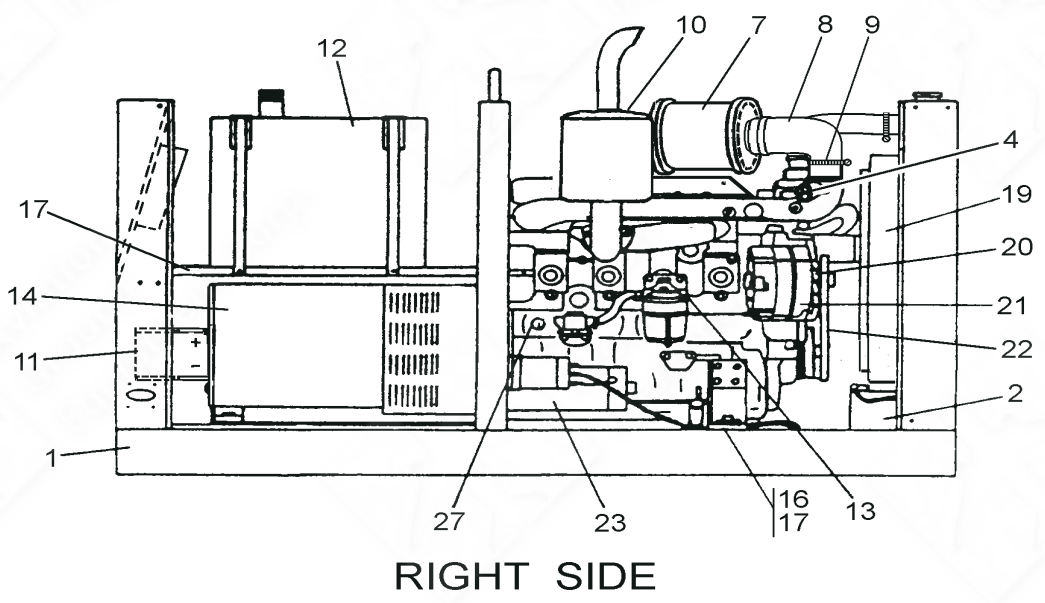
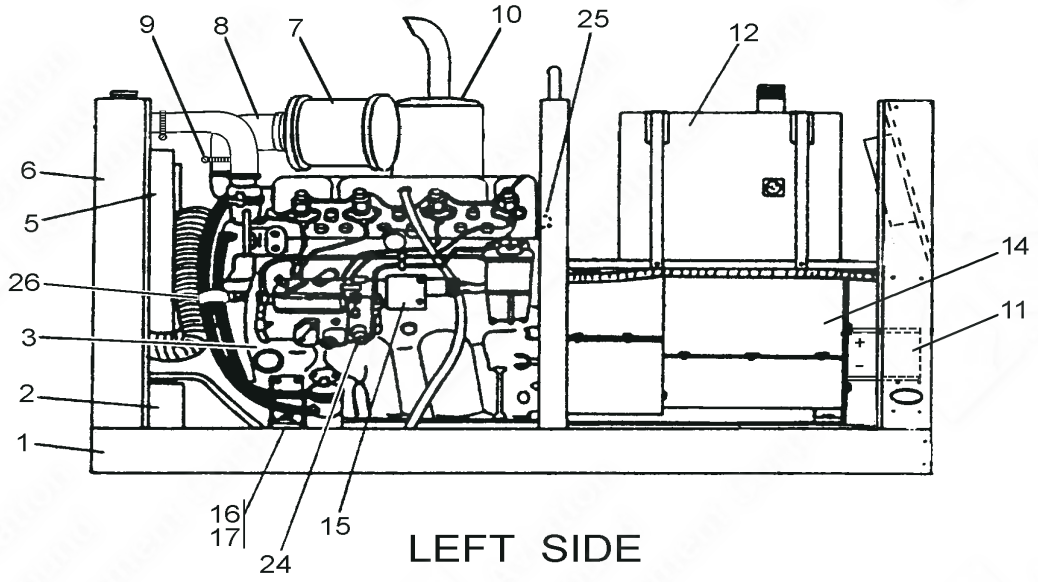


**Canopy Assembly**  
**Figure 4**

FIGURE & ITEM NO.	HOBART PART NO.	AIRLINE PART NO.	NOMENCLATURE							EFF	QTY
			1	2	3	4	5	6	7		
<b>4-</b>	<b>181264A</b>		<b>CANOPY ASSY (FOR NHA SEE FIG. 1)</b>								<b>1</b>
4- 1	282644		.								1
4- 2	282626-1		.								1
4- 3	489217		.								1
4- 4	282226		.								2
4- 5	282225		.								2
4- 6	489270		.								1
4- 7	488640		.								1
4- 8	489167		.								1
4- 9	408556		.								4
*	280717		.								1
4-10	488592		.	.							1
4-11	181152		.	.							2
	181263		.	.							1
* 4-12	403091-9		.								1
4-13	489235		.								1
4-14	489168		.								1
4-15	282626-2		.								1
4-16	488799		.								1
* 4-17	489810		.								1
4-18	489230		.								1
4-19	489220		.								1
4-20	30GHP-391		.								2
4-21	489229		.								1
4-22	489156		.								1
4-23	489158		.								1
4-24	489577		.								1
4-25	488633		.								2
* 4-26	407366		.								1
* 4-27	81B-1063		.								1
* 4-28	84A-1071		.								1
* 4-29	406001		.								2
* 4-30	402987		.								1
4-31	406000		.								1
4-32	76B-1148		.								1
4-33	7J-422-0		.								1
* 4-34	400435		.								1
* 4-35	180015		.								1
* 4-36	181179		.								1
4-37	181161		.								1
4-38	181316		.								4
*	282427		.								REF

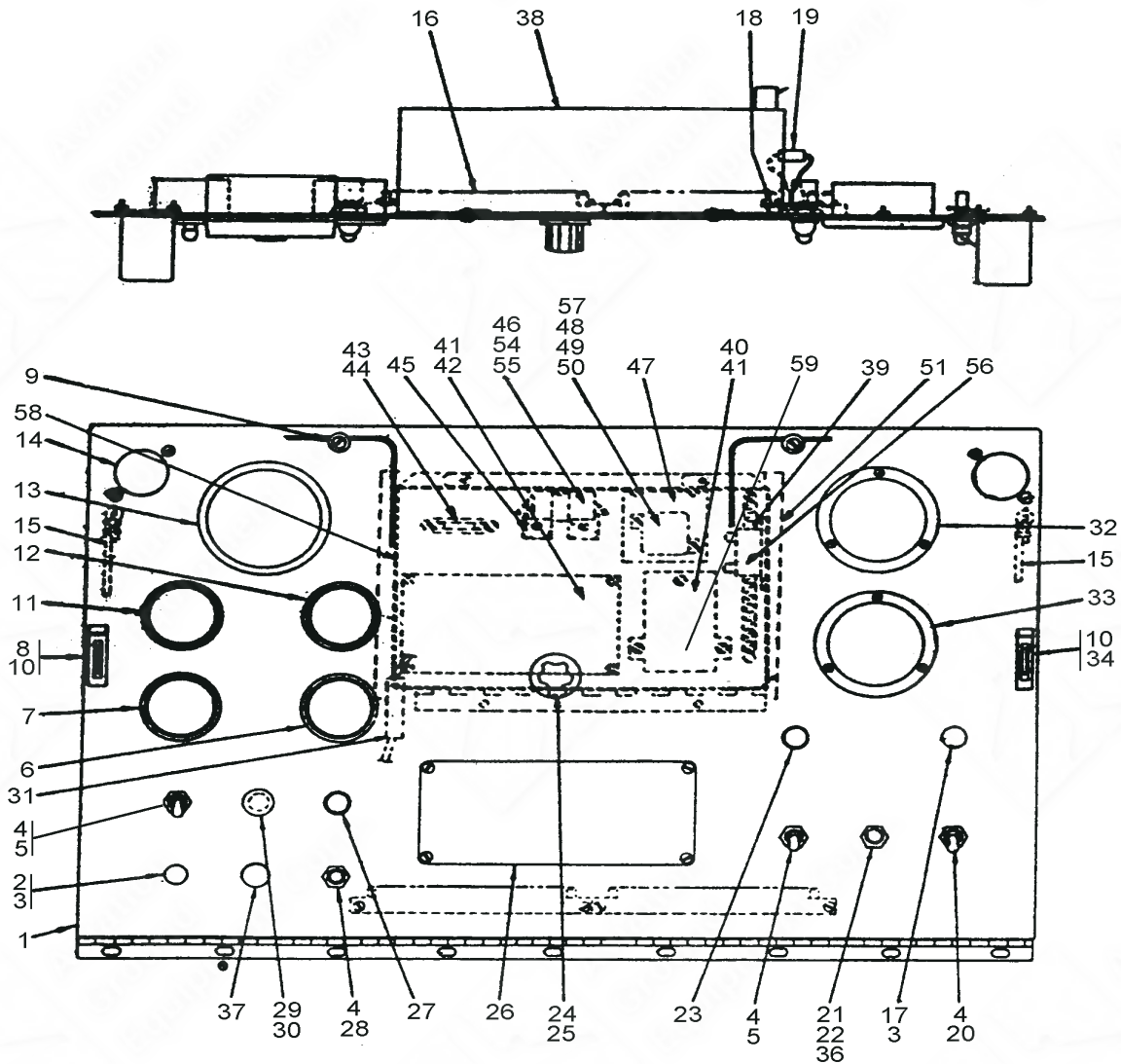
\* Not Illustrated

Filters  
 Oil 2654403  
 Fuel 26561117  
 Water Seperator RAC220R



**Generator Set Without Canopy  
 Figure 5**

FIGURE & ITEM NO.	HOBART PART NO.	AIRLINE PART NO.	NOMENCLATURE					EFF	QTY
			1	2	3	4	5		
<b>5-</b>	<b>No Number</b>		<b>GENERATOR SET WITHOUT CANOPY (For NHA See Fig. 1)</b>						<b>REF</b>
5- 1	489151		. FRAME, MOUNTING ASSY. (See Fig. 14)						1
5- 2	402087-1		. BATTERY, 12-V (See Fig. 8)						2
5- 3	408409		. ENGINE, DIESEL, V13446, TYPE 4.236						1
5- 4	406768-1		. INDICATOR, RESTRICTION, V18265, NO. RBX00-2251						1
5- 5	489641		. GUARD, BELT, LEFT						1
5- 6	No Number		. COOLING SYSTEM (See Fig. 11)						1
**5- 7	282569		. AIR CLEANER, V18265, NO. ECC06-5002						1
*	282570		. BRACKET, MOUNTING, AIR CLEANER						1
*	W-10869-7		. CLAMP, AIR CLEANER						2
5- 8	282571		. HOSE, AIR CLEANER						1
5- 9	402433		. CLAMP, HOSE, V35708, NO. MH-12						1
5-10	282388		. MUFFLER, V13215, NO. 23785N						1
5-11	285931		. RECTIFIER ASSEMBLY (See Fig. 12)						1
5-12	No Number		. FUEL SYSTEM (See Fig. 9)						1
5-13	359985		. BRACKET, FUEL FILTER						1
5-14	281333		. GENERATOR ASSEMBLY (See Fig. 15)						1
5-15	282220		. FULL THROTTLE SOLENOID ASSEMBLY (See Fig. 7)						1
5-16	489114		. SUPPORT, ENGINE, ASSY						2
5-17	406254-2		. MOUNT, SHOCK ENGINE (GREEN)						2
5-18	281332		. SUPPORT, FUEL TANK						1
5-19	489639		. GUARD, BELT, RIGHT						1
5-20	405099		. FAN, ALTERNATOR, V16764, NO. 800612						1
5-21	405015		. ALTERNATOR, V12835, NO. 9DB2LF2B58						1
5-22	403618-6		. BELT, FAN, V24161, No. 9002-2050						1
*	406149		. FAN, ENGINE, V13446, No. 31257017						1
*	181098		. BRACKET, MTG., ALTERNATOR						1
*	78B-1010		. DIODE, ALTERNATOR, V72582, NO. 05100420						1
*	181099		. SPACER, ALT. BRACKET						1
*	181100		. SPACER, SCREW, ALTERNATOR						1
*	492098		. BRACKET, SUPPORT, WIRE, ALTERNATOR						1
5-23	407706		. MOTOR, STARTER, V16764, NO. 1113275						1
*	W-11095-2		. BOLTS, STARTER, NYLOK						3
5-24	403809-2		. SWITCH, OIL PRESSURE, V51377, No. C-25900-10						1
*	78B-1118-1		. SENDER, OIL PRESSURE, V16476, No. 02504						1
*	79B-1119-1		. SENDER, TEMPERATURE, V16476, No. 02019						1
5-25	403782-0		. SWITCH, WATER TEMP, V51377, NO. 1002-4880-33						1
*	W-10910-0		. TEE, STREET, BRASS						1
*	W-10119-1		. COUPLING, PIPE, STEEL						1
*	W-10750-2		. NIPPLE, PIPE 1/8,						2
*	W-7814-4		. BUSHING, PIPE, STEEL						1
5-26	5CW-1932-0		. DRAIN, BLOCK						1
5-27	80A-1117		. CLAMP, HOSE						1
*5 -28	286630		. FILTER, FUEL						1
*5 -29	286631		. FILTER, OIL						1



Engine Wire Harness 283882  
Control Panel Harness 489747

**Control Panel Assembly**  
**Figure 6**



FIGURE & ITEM NO.	HOBART PART NO.	AIRLINE PART NO.	NOMENCLATURE							EFF	QTY
			1	2	3	4	5	6	7		
<b>6-</b>	<b>181251</b>		<b>CONTROL PANEL ASSY (For NHA See Fig. 1)</b>								<b>REF</b>
6- 1	181252		. PANEL, CONTROL, ASSY.								1
6- 2	W-11166-5		. FUSE, AGC, 20A, V71400								1
6- 3	402658		. HOLDER, FUSE, V71400, TYPE HKP-HH								2
6- 4	406040		. BOOT, TOGGLE SWITCH, No. H-1031A								4
6- 5	404856		. SWITCH, TOGGLE, V81640, NO. 8860K5								2
6- 6	78A-1120-1		. GAUGE, HOURMETER, V16476, NO. 56288								1
6- 7	78A-1115-1		. AMMETER, V16476, NO. 06354								1
6- 8	489219		. SUPPORT, MAGNET, LEFT								1
6- 9	76A-1115		. LATCH, ADJUSTABLE GRIP								2
6-10	403127		. CATCH, MAGNETIC								2
6-11	78A-1117-1		. GAUGE, OIL PRESSURE, V16476, NO. 06340								1
6-12	78A-1116-1		. GAUGE, WATER TEMP., V16476, NO. 06343								1
6-13	408596-1		. TACHOMETER, V11287, NO. 71076-00								1
6-14	84B-1003		. LIGHT, PANEL, 12V, V77977, NO. 431W								2
6-15	389535-3		. SUPPORT, ROPE, HINGED DOOR								2
6-16	401937-8		. BLOCK, TERMINAL, 20A., V91636, NO. GBSY-14-TB29								2
6-17	W-11166-3		. FUSE, AGC, 10A., V71400								1
6-18	489658-5		. DIODE, ASSY.								1
6-19	180591-2		. RESISTOR, 5W, ASSY.								1
6-20	402662		. SWITCH, TOGGLE, DPST, V74559, NO. 2GK71-73								1
6-21	20RT-353-1		. DIODE, 200V, 16A, V12293, NO. 16FR20								1
6-22	25MS-156		. BUS, JUMPER								1
6-23	180913-2		. LIGHT, PILOT, GREEN, 28V.								1
6-24	16DA-2162		. KNOB, RHEOSTAT, V44655, NO. 5150								1
6-25	401428-1		. POTENTIOMETER, 10K OHM, 2W., V44655, NO. CMU-1031								1
6-26	488598		. COVER, 14V., (Option)								1
6-27	180913-1		. LIGHT, PILOT, ENGINE, GREEN, 12V.								1
6-28	402682		. SWITCH, TOGGLE, 3 PDT, V74559, NO. HLA-211-73								1
6-29	30GH-1119		. SWITCH, PUSHBUTTON								1
6-30	406815		. BOOT, PUSHBUTTON SWITCH, V13445, NO. 83280								1
6-31	180135		. PLUG, HARNESS								1
6-32	400642-3		. VOLTMETER, DC, V60741								1
6-33	400641-12		. AMMETER, V60741								1
6-34	489218		. SUPPORT, MAGNET, RIGHT								1
* 6-35	405608		. CLIP, WIRE								2

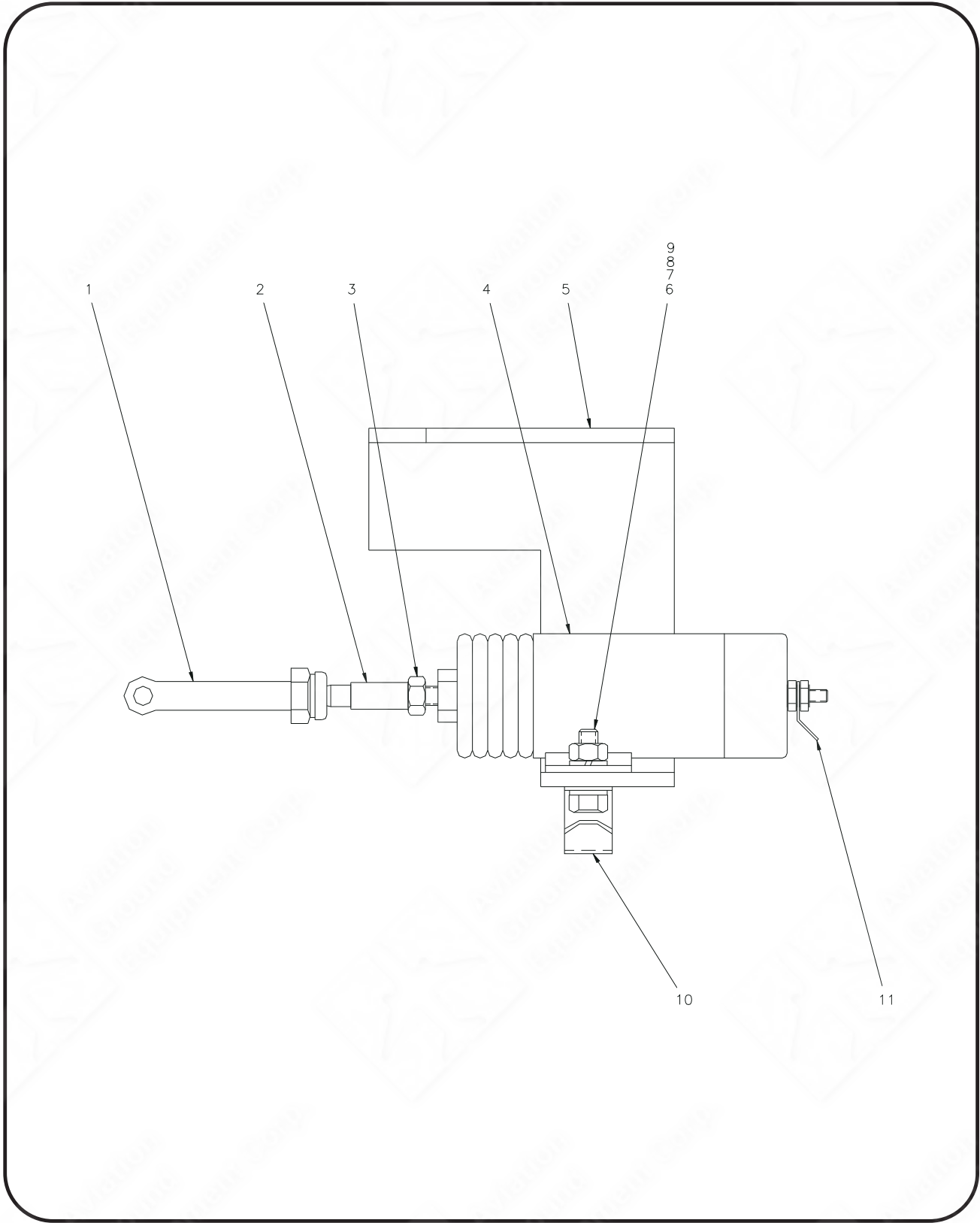
\* Not Illustrated

*This page intentionally left blank*



FIGURE & ITEM NO.	HOBART PART NO.	AIRLINE PART NO.	NOMENCLATURE							EFF	QTY	
			1	2	3	4	5	6	7			
6-	<i>(Continued)</i>											
6-36	Y-971		.	.	.	.	.	.	.	.	.	1
6-37	403091-5		.	.	.	.	.	.	.	.	.	1
6-38	280691		.	.	.	.	.	.	.	.	.	1
6-39	406003-2		.	.	.	.	.	.	.	.	.	1
6-40	180289		.	.	.	.	.	.	.	.	.	1
6-41	84A-1075		.	.	.	.	.	.	.	.	.	7
6-42	181022-1		.	.	.	.	.	.	.	.	.	1
6-43	W-11434		.	.	.	.	.	.	.	.	.	1
6-44	W-11166-3		.	.	.	.	.	.	.	.	.	1
6-45	404065-2		.	.	.	.	.	.	.	.	.	2
6-46	W-10051-14		.	.	.	.	.	.	.	.	.	1
6-47	181039		.	.	.	.	.	.	.	.	.	1
6-48	403056-4		.	.	.	.	.	.	.	.	.	1
6-49	403055-2		.	.	.	.	.	.	.	.	.	1
6-50	180591-1		.	.	.	.	.	.	.	.	.	1
6-51	280527		.	.	.	.	.	.	.	.	.	1
* 6-52	400828-2		.	.	.	.	.	.	.	.	.	15
* 6-53	489658-5		.	.	.	.	.	.	.	.	.	1
6-54	402461-6		.	.	.	.	.	.	.	.	.	1
6-55	402197-1		.	.	.	.	.	.	.	.	.	2
6-56	W-4541-D		.	.	.	.	.	.	.	.	.	1
6-57	180593-1		.	.	.	.	.	.	.	.	.	1
6-58	280686		.	.	.	.	.	.	.	.	.	1
6-59	402665-1		.	.	.	.	.	.	.	.	.	2

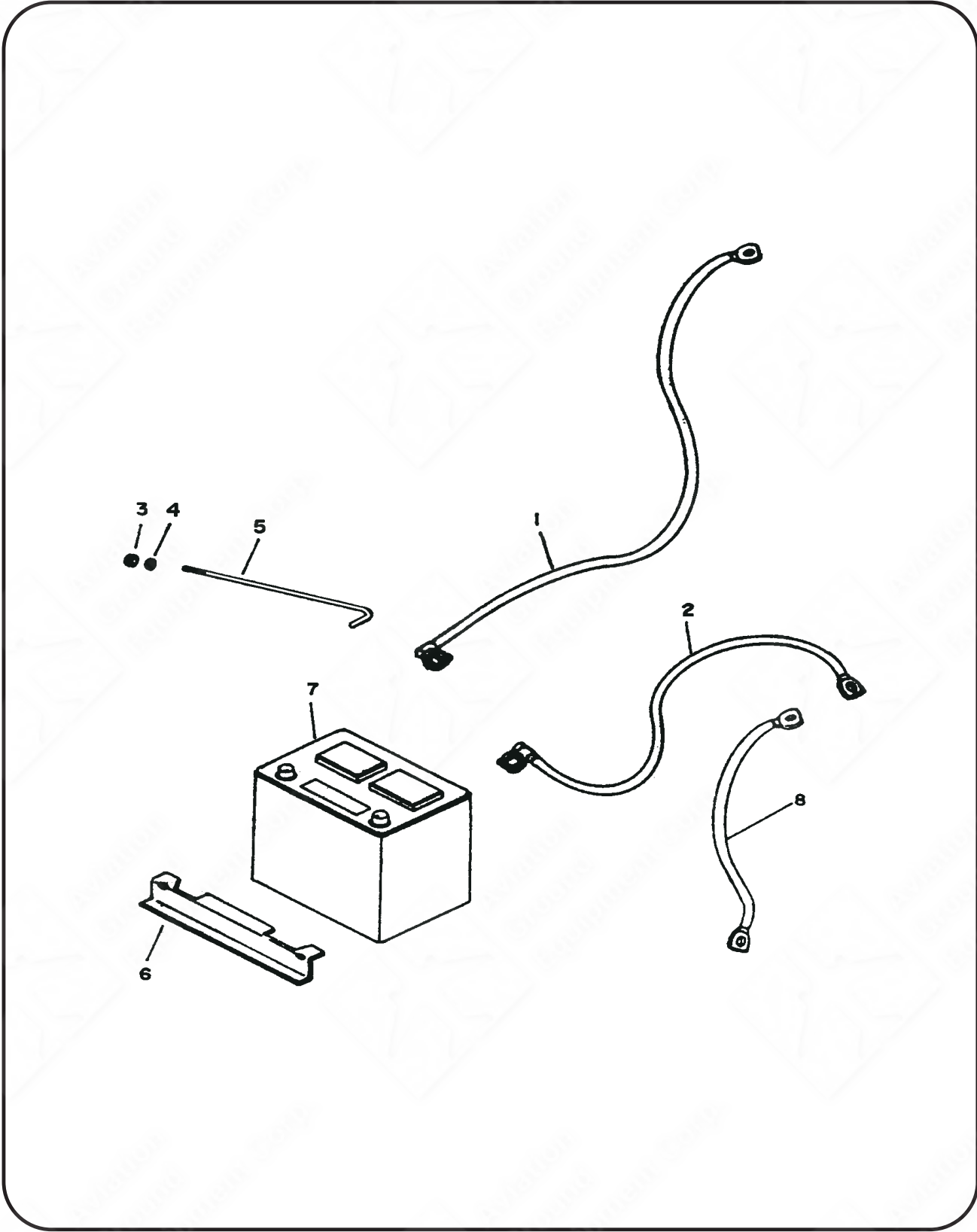
\* Not Illustrated



**Full Throttle Solenoid Assembly**  
**Figure 7**

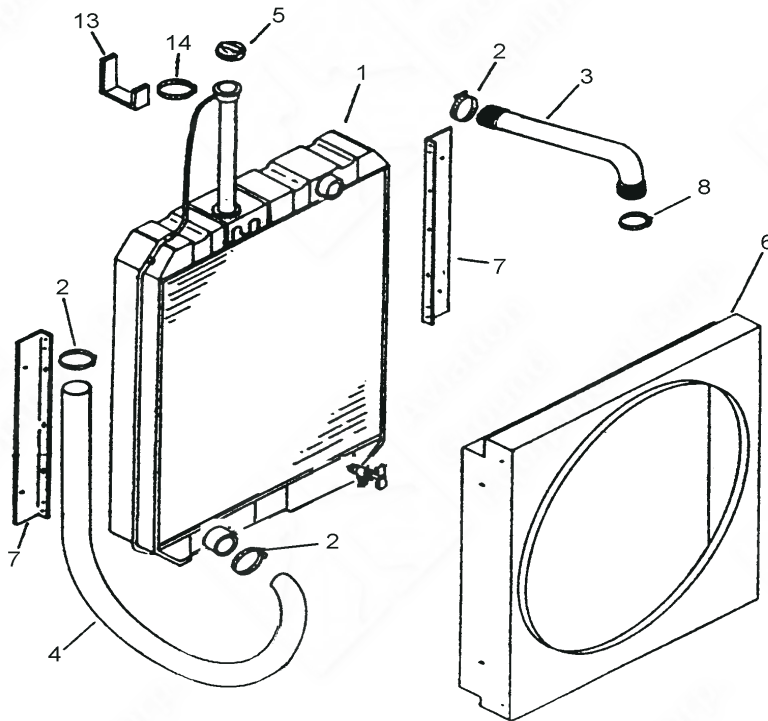
FIGURE & ITEM NO.	HOBART PART NO.	AIRLINE PART NO.	NOMENCLATURE							EFF	QTY
			1	2	3	4	5	6	7		
<b>7-</b>	<b>282220</b>		<b>SOLENOID, FULL THROTTLE, ASSY.</b>								<b>REF</b>
7- 1	12CW-2146		. YOKE, CLEVIS								1
7- 2	282218		. FITTING, CLEVIS								1
7- 3	W-11280-3		. NUT, 1/4-28 HEX, ST.								1
7- 4	282217		. SOLENOID								1
7- 5	282219		. SUPPORT, SOLENOID								1
7- 6	402119-4		. SCREW, 1/4-20 x 3/4 HHC, ST.								2
7- 7	W-11254-4		. WASHER, LK, STD. 1/4								2
7- 8	W-11278-7		. NUT, 1/4-20, HEX FULL ST.								2
7- 9	W-11242-5		. WASHER, FLAT, 1/4 ST.								2
7-10	482496-1		. CLAMP, WIRE								1
7-11	403069		. TERMINAL, QUICK-CONNECT TAB								2
*	W-11563		PIN, CLEVIS								1
*	W-11337-1		PIN, COTTER, 1/16 x 3/8								1

\* Not Illustrated



**Battery Installation**  
**Figure 8**

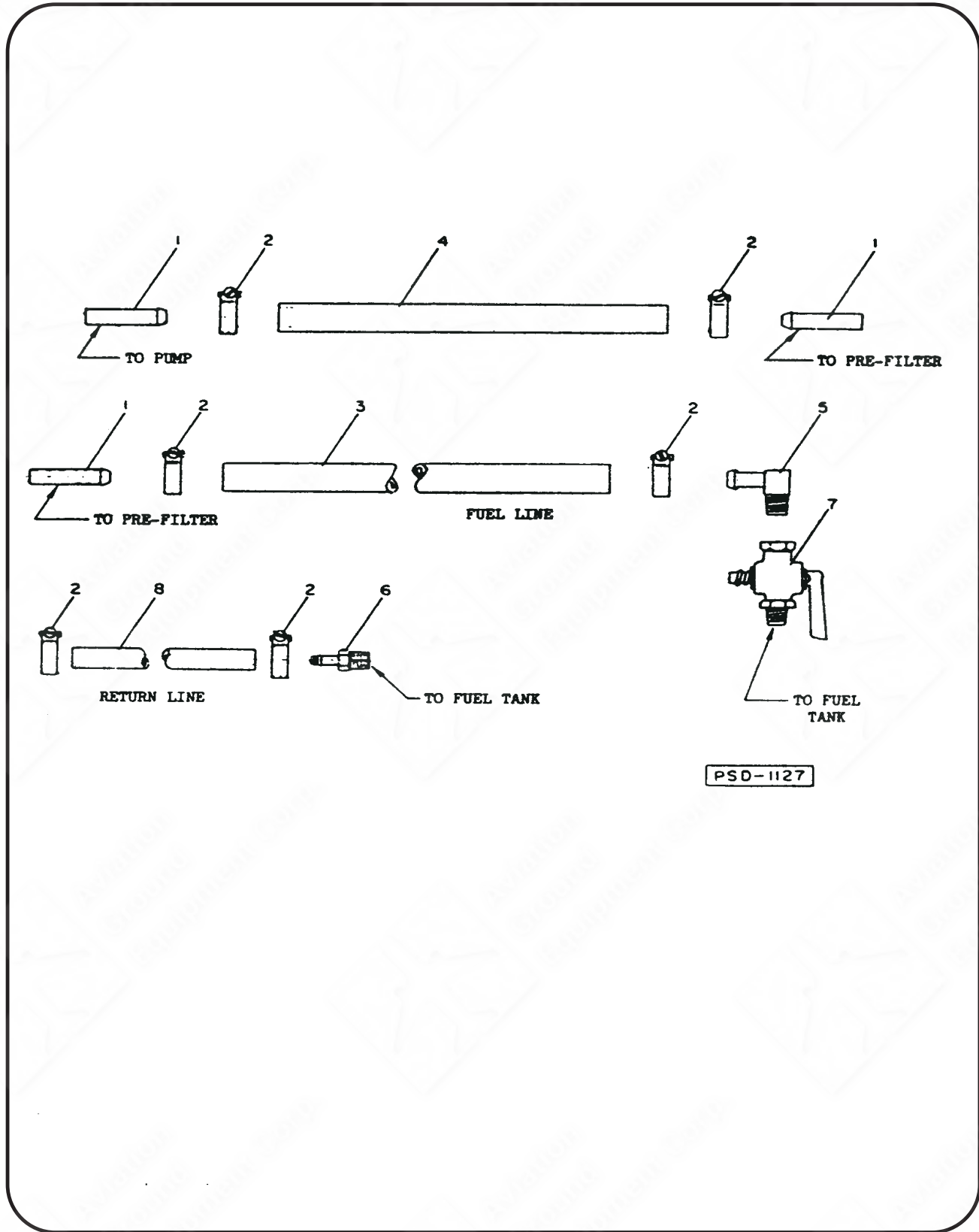
FIGURE & ITEM NO.	HOBART PART NO.	AIRLINE PART NO.	NOMENCLATURE							EFF	QTY
			1	2	3	4	5	6	7		
<b>8-</b>	<b>No Number</b>		<b>BATTERY INSTALLATION (For NHA See Fig. 5)</b>								<b>REF</b>
8- 1	388827-13		.								1
8- 2	388828-1		.								1
8- 3	No Number		.								2
8- 4	No Number		.								4
8- 5	491687		.								2
8- 6	491962-1		.								1
8- 7	281881-1		.								2
8- 8	W-9360-229		.								1



**Fuel System**  
**Figure 9**

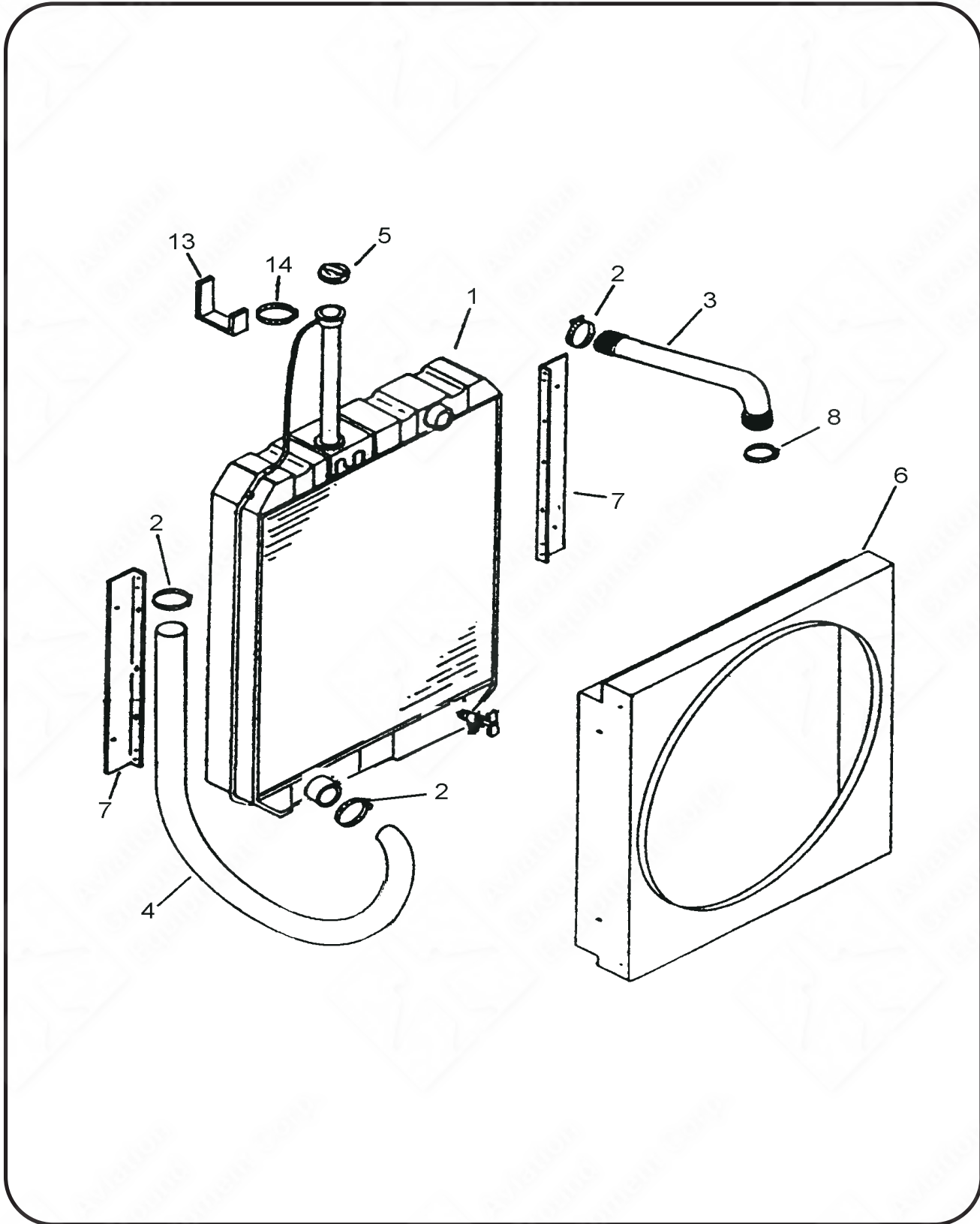
FIGURE & ITEM NO.	HOBART PART NO.	AIRLINE PART NO.	NOMENCLATURE							EFF	QTY
			1	2	3	4	5	6	7		
<b>9-</b>	<b>No Number</b>		<b>FUEL SYSTEM (For NHA See Fig. 5 )</b>								<b>REF</b>
9- 1	489169		.	TANK, FUEL ASSY.							1
9- 2	76A-1152		.	CAP, FUEL, GREEN, V49234, NO. 1275 (Modified)							1
9- 3	5CW-3420-1		.	GUAGE, FUEL TANK							1
9- 4	486567-3		.	STRAP, FUEL TANK ASSY.							2
9- 5	483630		.	INSULATION STRAP, FUEL TANK							2
*	489593		.	LINES, FUEL & RETURN, ASSY. <i>(For Details See Fig. 10)</i>							1
				<b>* Not Illustrated</b>							





**Fuel and Return Lines Assembly**  
**Figure 10**

FIGURE & ITEM NO.	HOBART PART NO.	AIRLINE PART NO.	NOMENCLATURE							EFF	QTY
			1	2	3	4	5	6	7		
<b>10-</b>	<b>489593</b>		<b>LINES, FUEL AND RETURN, ASSY.</b> <b>(For NHA See Fig. 9)</b>								<b>REF</b>
10- 1	490036		.	LINE, FUEL							3
10- 2	W-10869-14		.	CLAMP, HOSE							6
10- 3	355325-17		.	HOSE, RUBBER, 38"							1
10- 4	355325-6		.	HOSE, RUBBER, 6"							1
10- 5	405091-1		.	ELBOW, MALE, BARBED							1
10- 6	402927-1		.	CONNECTOR, MALE							1
10- 7	402265		.	VALVE, SHUT-OFF, V70411, NO. 130C-J							1
10- 8	491889-5		.	HOSE, RUBBER, 15"							1



**Cooling System**  
**Figure 11**

FIGURE & ITEM NO.	HOBART PART NO.	AIRLINE PART NO.	NOMENCLATURE							EFF	QTY
			1	2	3	4	5	6	7		
<b>11-</b>	<b>No Number</b>		<b>COOLING SYSTEM ( For NHA See Fig. 5 )</b>								<b>REF</b>
11- 1	281423-1		. RADIATOR, ASSY.								1
11- 2	W-10869-12		. CLAMP, V35708								3
11- 3	406655		. HOSE, TOP, RADIATOR								1
11- 4	281874		. HOSE, RADIATOR, LOWER								1
11- 5	405743		. CAP, FILLER, V78225, NO. AAX-0418								1
11- 6	489121		. SHROUD, FAN ASSY.								1
11- 7	489122		. SUPPORT, RADIATOR								2
11- 8	W-10869-3		. CLAMP, HOSE								1
11- 9	DELETED										
* 11-10	351541		. LABEL, CAUTION, FAN								1
* 11-11	401842		. TAG, ATTENTION, ENGINE COOLING								1
* 11-12	400902		. ANTI-FREEZE								7 qt.
11-13	489533		. SUPPORT, RADIATOR NECK								1
11-14	80A-1117		. CLAMP, RADIATOR NECK								1

\* Not Illustrated

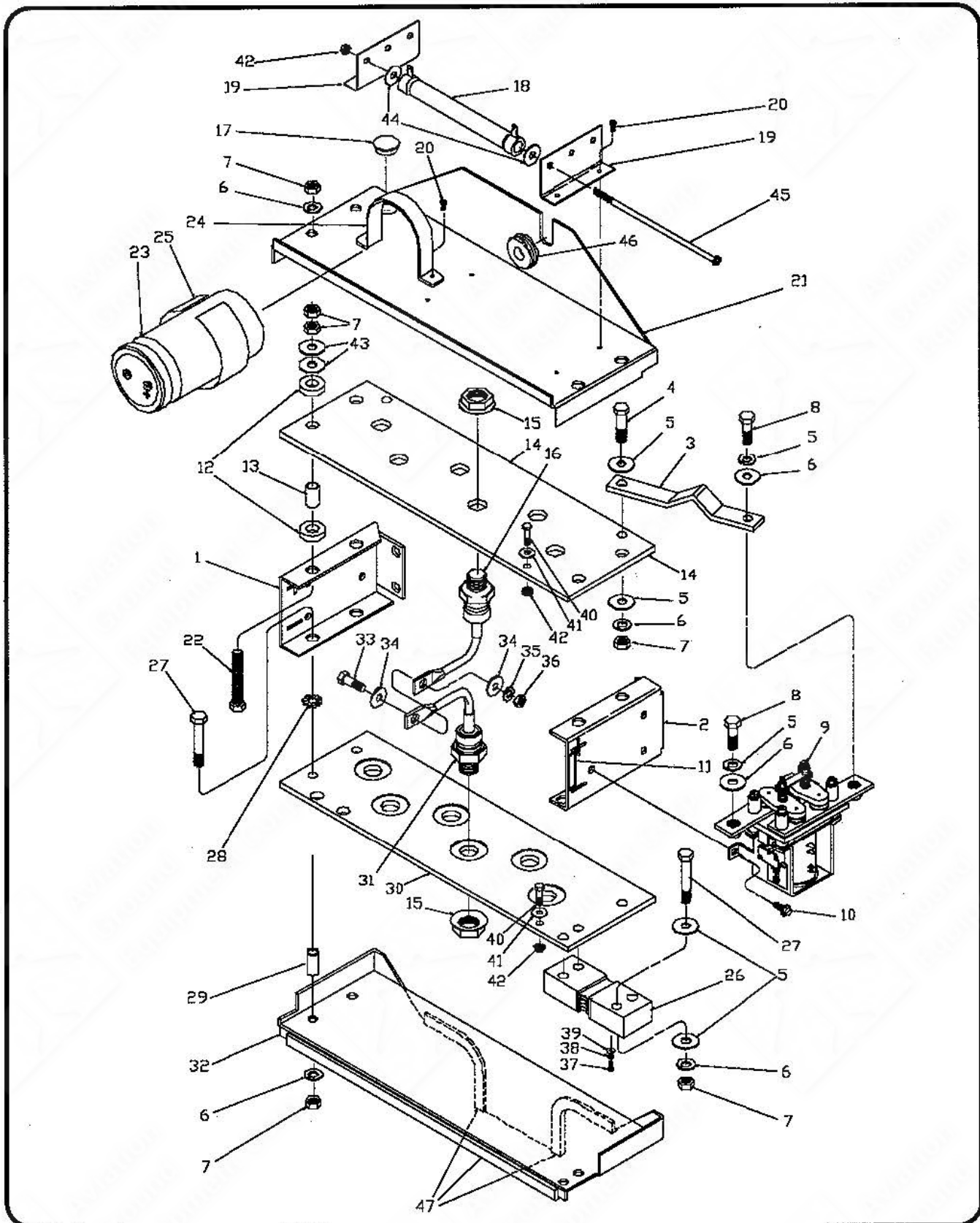
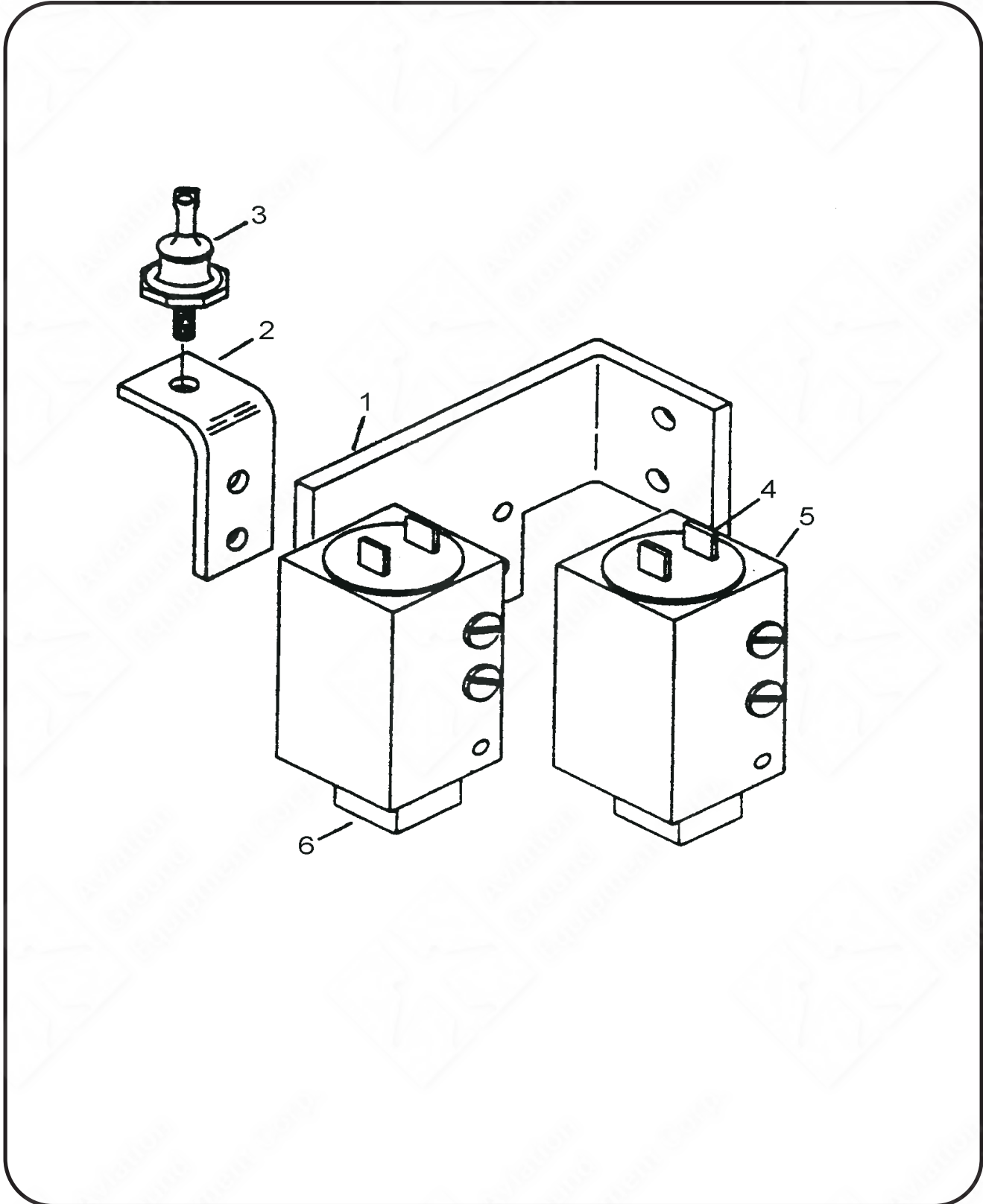


FIGURE & ITEM NO.	HOBART PART NO.	AIRLINE PART NO.	NOMENCLATURE							EFF	QTY
			1	2	3	4	5	6	7		
<b>12 -</b>	<b>285931</b>		<b>RECTIFIER ASSY. (For NHA See Fig. 5)</b>								<b>REF</b>
12 - 1	282238		. BRACKET, MTG., HEAT SINK, LEFT								1
12 - 2	282241		. BRACKET, MTG., HEAT SINK, RIGHT								1
12 - 3	282563		. BUS, POSITIVE, 28.5 V								1
12 - 4	W-11097-3		. SCREW, HHC, 3/8-16 x 2-1/2"								4
12 - 5	W-11242-10		. WASHER, FLAT, 3/8								8
12 - 6	W-11254-8		. WASHER, LOCK, 3/8								15
12 - 7	W-11278-5		. NUT, HEX, 3/8-16								19
12 - 8	W-11097-2		. SCREW, HHC, 3/8-16 x 1"								2
12 - 9	282120-1		. CONTACTOR, DC, 28.5 V, V23826, #42L109151								1
12 -10	W-11236-4		. SCREW, HEX HD, SF-TAP, 1/4-20 x 1/2								3
12 -11	400435		. LABEL, 28 VOLTS								1
12 -12	A-25		. WASHER, INSULATING								8
12 -13	AW-626		. BUSHING, INSULATING								4
12 -14	282237		. HEAT SINK, RECTIFIER, POSITIVE								1
12 -15	400149-1		. NUT, SPRING, DISHED, 3/4-16								12
12 -16	W-10931-3		. RECTIFIER, POS., BASE, V12293, #IN4049								6
*	361182-2		. SLEEVING, DIODE								12
12 -17	403091		. PLUG, HOLE, PLASTIC								1
12 -18	405154-6		. RESISTOR, 10OHM, 100 WATT								3
12 -19	282835		. BRACKET, MTG., RESISTOR								2
12 -20	W-11231-1		. SCREW, PAN HD. SF-TAP, #8-18 x 3/8"								8
12 -21	282236		. SHROUD, AIR, TOP, RECTIFIER								1
*	40201		. INSULATION, STRIP, NEOPRENE, 1/8 x 1/2"								2 ft.
12 -22	W-11097-22		. SCREW, HHC, 3/8-16 x 2-1/2"								4
12 -23	405278-6		. CAPACITOR, 41000MFD, 75 VDC, V22751, #75-95								1
12 -24	282830		. CLAMP, CAPACITOR								1
12 -25	350488-94		. INSULATOR, CAPACITOR								1
12 -26	180065		. SHUNT, 2000 AMP								1
12 -27	W-11097-7		. SCREW, HHC, 3/8-16 x 2"								6
12 -28	W-11263-6		. WASHER, LOCK, IET, 3/8								5
12 -29	180600		. SPACER, SHROUD								3
12 -30	282239		. HEAT SINK, RECTIFIER, NEGATIVE								1
12 -31	W-10933-3		. RECTIFIER, NEG., BASE, V12293, #IN4049R								6
12 -32	282240-1		. SHROUD, AIR, BOTTOM, RECTIFIER								1
12 -33	5CW-1308-0		. SCREW, HHC, 5/16-18 x 2-1/2"								6
12 -34	W-11242-6		. WASHER, FLAT, 5/16								12
12 -35	W-11254-5		. WASHER, LOCK, 5/16								6
12 -36	W-11278-6		. NUT, HEX, 5/16-18								6
12 -37	W-11111-9		. SCREW, RHM, #8-32 x 1/4"								2
12 -38	W-11254-2		. WASHER, LOCK, #8								2
12 -39	W-11245-3		. WASHER, FLAT, #10								2
12 -40	402119-4		. SCREW, HHC, 1/4-20 x 3/4"								2
12 -41	W-11242-5		. WASHER, FLAT, 1/4								2
12 -42	50MS-732-0		. NUT, KEPS, 1/4								5
12 -43	W-11242-18		. WASHER, FLAT, 3/8								8

*This page intentionally left blank*

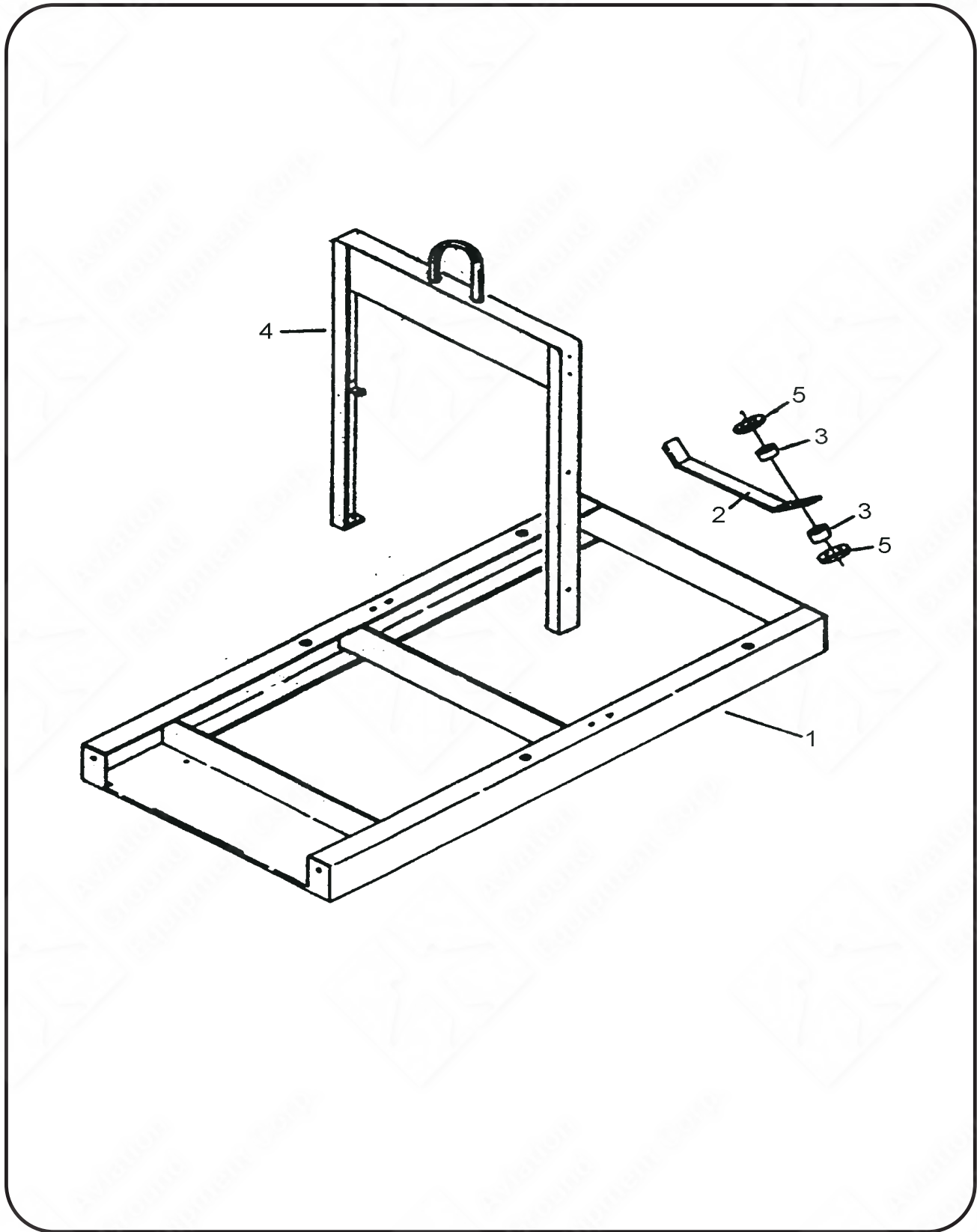


FIGURE & ITEM NO.	HOBART PART NO.	AIRLINE PART NO.	NOMENCLATURE							EFF	QTY
			1	2	3	4	5	6	7		
<b>12 -</b>	<b>282235</b>		<b>RECTIFIER, ASSY. (CONTINUED)</b>								<b>REF</b>
12 -44	16DA-3493		.	WASHER, INSULATING							6
12 -45	W-11114-12		.	SCREW, RD. HD .MACH., 1/4-20 x 7-1/4"							3
12 -46	402037-4		.	GROMMET, RUBBER							1
12 -47	50964		.	TRIM, 1/16", BLACK							23-1/2"
*	282568		.	WIRE CHART							REF



**Brush-Holder Assembly**  
**Figure 13**

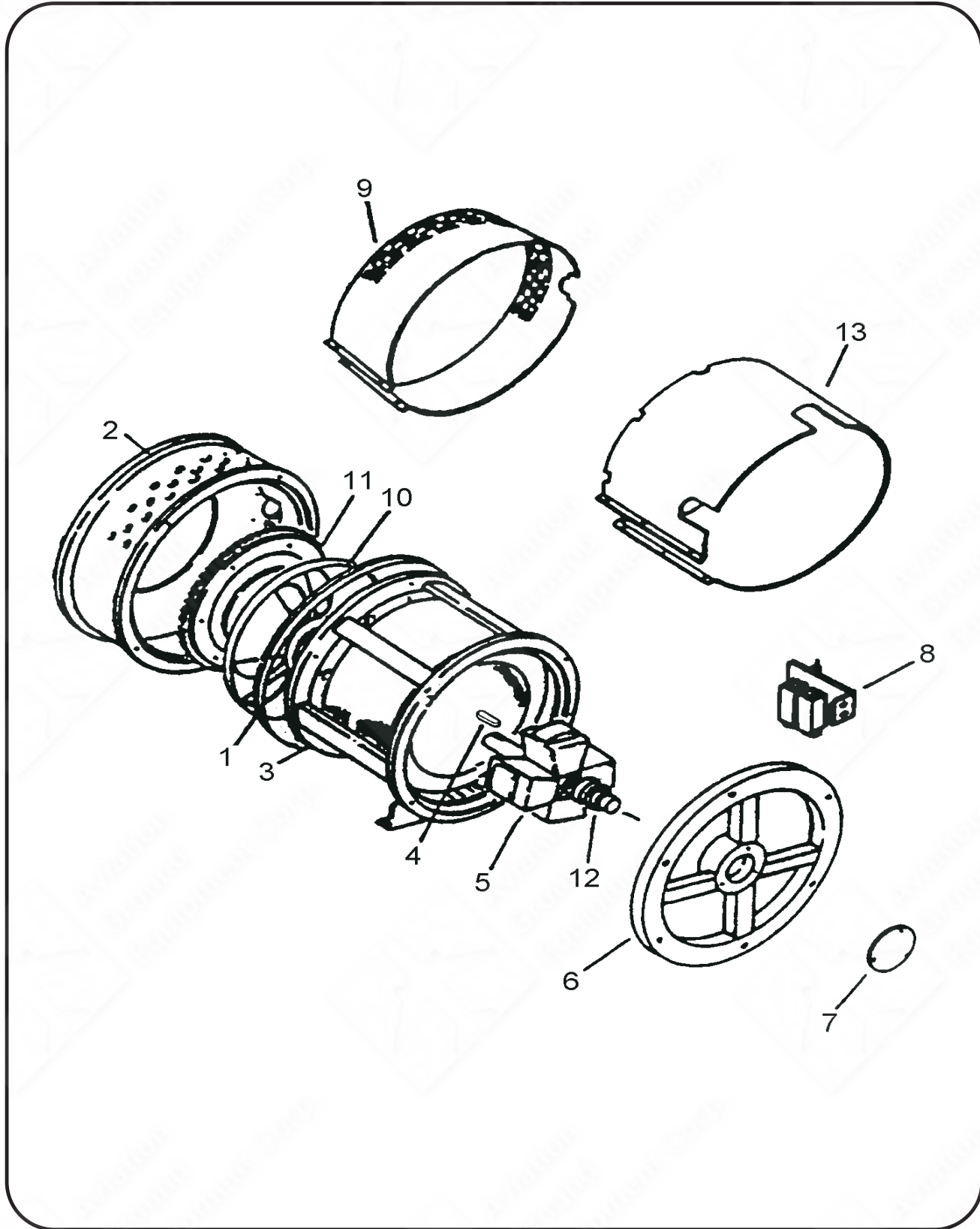
FIGURE & ITEM NO.	HOBART PART NO.	AIRLINE PART NO.	NOMENCLATURE							EFF	QTY
			1	2	3	4	5	6	7		
<b>13 -</b>	<b>488784</b>		<b>BRUSHHOLDER, ASSY. (For NHA See Fig. 15)</b>								<b>1</b>
13- 1	488562		.	BRACKET, MTG., BRUSHHOLDER							1
13- 2	488628		.	BRACKET, MTG, DIODE							1
13- 3	408999-1		.	DIODE, SILICON, 30A, POS. , V08452							1
13- 4	402531		.	CAP, BRUSHHOLDER, V46992, NO. DE-55							2
13- 5	402530		.	GUIDE, BRUSHHOLDER, V46992, NO. 661-D-23							2
13- 6	402788		.	BRUSH, A.C., V78377, NO. 443E							2



**Yoke and Frame Assembly**  
**Figure 14**

FIGURE & ITEM NO.	HOBART PART NO.	AIRLINE PART NO.	NOMENCLATURE							EFF	QTY
			1	2	3	4	5	6	7		
14-	No Number		<b>FRAME, LIFTING YOKE ASSY. (For NHA See Fig. 1)</b>								<b>1</b>
14- 1	489151		.	FRAME, MOUNTING							1
14- 2	180543		.	BAR, MTG., GENERATOR							1
14- 3	406254-3		.	MOUNT, SHOCK, GENERATOR (RED)							2
14- 4	489203		.	YOKE, LIFTING							1
14- 5	491799		.	WASHER, SHOCK MOUNT							4
*	W-11102-1		.	.	SCREW, 5/8-11 X 1", HHC. ST.						4
*	W-11254-10		.	.	WASHER, LOCK, 5/8, ST.						4
*	W-11280-12		.	.	NUT, HEX, 5/8-11, ST.						4
*	406254-2		.	MOUNT, SHOCK ENGINE (GREEN)							<b>REF</b>

\* Not Illustrated



**Generator Assembly**  
**Figure 15**

FIGURE & ITEM NO.	HOBART PART NO.	AIRLINE PART NO.	NOMENCLATURE							EFF	QTY
			1	2	3	4	5	6	7		
<b>15-</b>	<b>281333</b>		<b>GENERATOR, ASSY.</b>								<b>1</b>
15- 1	491784		.								1
15- 2	489077-1		.								1
15- 3	488557-5		.								1
15- 4	489135		.								1
15- 5	180776		.								1
15- 6	488555-1		.								1
15- 7	5J-260-0		.								1
15- 8	488784		.								1
15- 9	489086		.								1
15-10	489123		.								1
*	489125		.	.							1
*	181166		.	.							8
*	W-11254-5		.	.							8
*	85C-1004-2		.	.							1
15-11	No Number		.								1
15-12	W-10072-63		.								1
15-13	281688		.								1
*	493384-9		.								6
*	493384-10		.								6
* Not Illustrated											



*This page intentionally left blank*