



**Aviation
Ground
Equipment Corp.**

it's all about connections



Illustrated Parts List

ITW GSE 6400 JetEx[®] 8 T4

28.5 VDC Tier 4 Generator Set



Chapter 1 - Illustrated Parts List

Section 1 Introduction

1) General

The Illustrated Parts List identifies, describes, and illustrates main assemblies, subassemblies, and detail parts of a Diesel Engine-Generator Set manufactured by ITW GSE, Palmetto, Florida.

2) Purpose

The purpose of this list is to provide parts identification and descriptive information to maintenance and provisioning personnel for use in provisioning, requisitioning, purchasing, storing, and issuing of spare

3) Arrangement

Chapter 1 is arranged as follows:

Section 1 – Introduction,
Section 2 - Parts List,
Section 3 - Numerical index,

4) Explanation of Parts List

a) Contents

The parts list contains a breakdown of the equipment into assemblies, subassemblies, and detail parts. All parts of the equipment are listed except:

- Standard hardware items (attaching parts) such as nuts, screws, washers, etc., which are available commercially.
- Bulk items such as wire, cable, sleeving, tubing, etc., which are also commercially available.
- Permanently attached parts, which lose their identity by being welded, soldered, riveted, etc., to other parts, weldments, or assemblies.

b) Parts List Form

This form is divided into six columns. Beginning at the left side of the form and proceeding to the right, columns are identified as follows:

(1) FIGURE- ITEM NO. Column

This column lists the figure number of the illustration applicable to a particular parts list and also identifies each part in the list by an item number. These item numbers also appear on the illustration. Each item number on an illustration is connected to the part to which it pertains by a leader line. Thus the figure and item numbering system ties the parts lists to the illustrations and vice-versa. The figure and index numbers are also used in the numerical index to assist the user in finding the illustration of a part when the part number is known.

(2) ITW GSE NUMBER Column

All part numbers appearing in this column are ITW GSE numbers. In all instances where the part is a purchased item, the vendor's identifying five-digit code and his part number will appear in the "NOMENCLATURE" column. Vendor parts, which are modified by ITW GSE, will be identified as such in the "NOMENCLATURE" column. In case Hobart does not have an identifying part number for a purchased part, the "ITW GSE PART NUMBER" column will reflect "No Number" and the vendor's number if applicable will be shown in the "NOMENCLATURE" column. Parts manufactured by ITW GSE will reflect no vendor or part number in the "NOMENCLATURE" column.

(3) NOMENCLATURE Column

The item-identifying name appears in this column. The indenture method is used to indicate item relationship. Thus, components of an assembly are listed directly below the assembly and indented one space. Vendor codes and part numbers for purchased parts are also listed in this column when applicable. Hobart modification to vendor items is also noted in this column.

(4) EFF (Effective) Column

This column is used to indicate the applicability of parts to different models of equipment. When more than one model of equipment is covered by a parts list, there are some parts that are used on only one model. This column is used for insertion of a code letter A, B, etc., to indicate these parts and to identify the particular model they are used on.

This unit has only one model therefore the EFF column is blank.

(5) QTY. Column.

This column indicates the quantity of parts required for an assembly or subassembly in which the part appears. This column does not necessarily reflect the total used in the complete end item.

Section 2 Illustrated Parts List

1) Explanation of Parts List Arrangement

The parts list is arranged so that the illustration will appear on a left-hand page and the applicable parts list will appear on the opposite right-hand page. Unless the list is unusually long, the user will be able to look at the illustration and read the parts list without turning a page.

2) Symbols and Abbreviations

The following is a list of symbols and abbreviations used in the parts list:

*	-	Item not illustrated
#	-	Number or Part Number
A, or AMP	-	Ampere
AC	-	Alternating current
AR	-	As required
DC	-	Direct current
DIA		Diameter
Deg	-	Degree
Fig	-	Figure
hd.	-	Head
hex	-	Hexagon
Hz	-	Hertz (cycles-per-second)
ID	-	Inside diameter
IN	-	Inch
kVA	-	Kilovolt-ampere
lg		Long
uF	-	Microfarad
No Number		Not supplied by Hobart
No.	-	Number
NHA	-	Next higher assembly
OD		Outside Diameter
PRV	-	Peak reverse voltage
PSI	-	Pounds per square inch
Ref	-	Reference (the item has been listed previously)
RH	-	Right Hand
LH	-	Left Hand
TM	-	Technical Manual
T-R	-	Transformer-rectifier
V	-	Volt or used as a prefix indicating vendor code

NOTE: An item that does not reflect an index number is an assembly that is not illustrated in its assembled state, or it is similar (right-hand, left-hand, top, etc.) to an item that is illustrated.

3) Hierarchy

Part Number column lists the part number assigned. Sub- and /sub-assemblies are indicated by indenture level (., .., ..., etc.) to the component next higher assembly (NHA). Line items with no part number assigned are listed as Non Applicable (No Number).

This page is intentionally left blank.

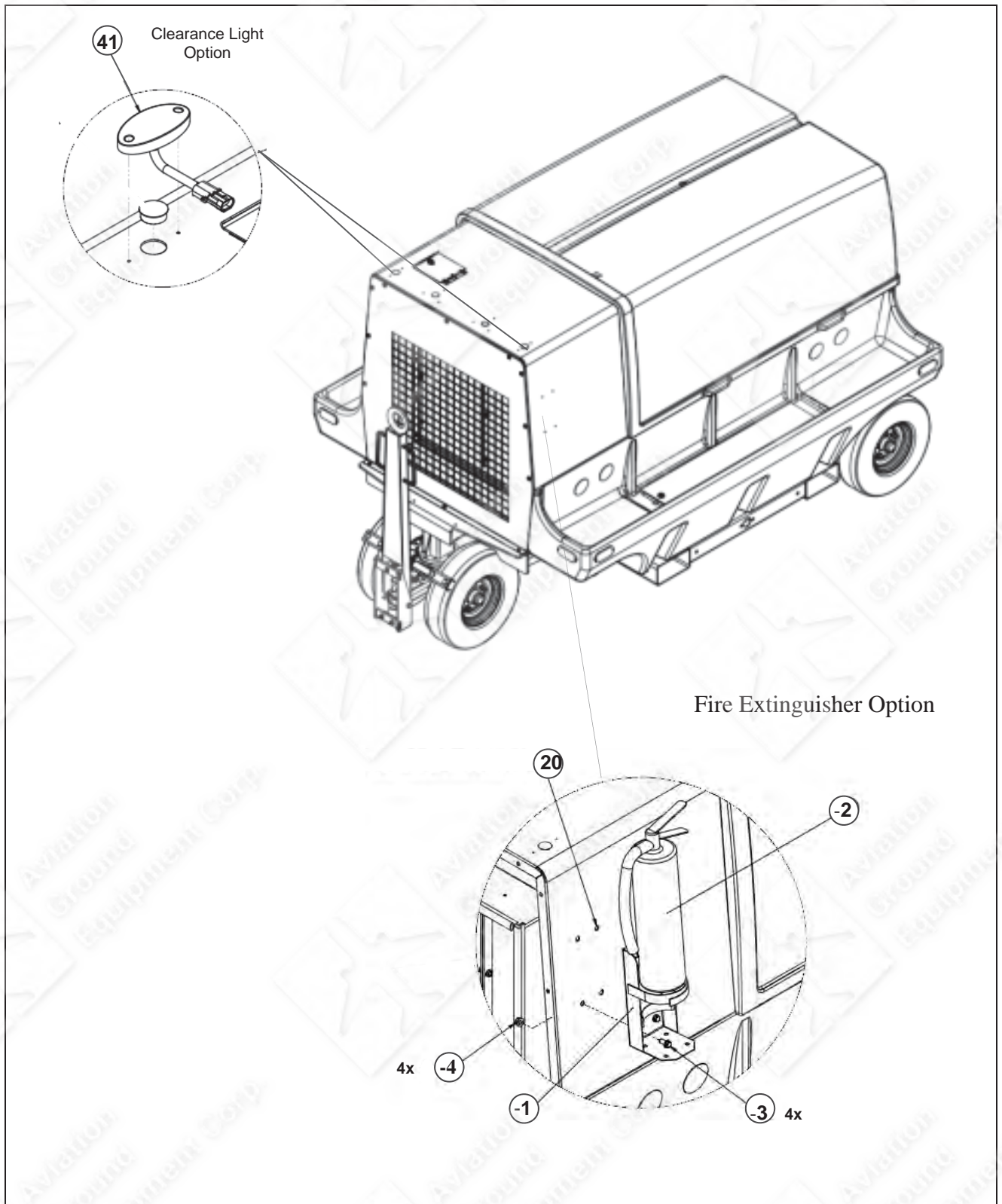


Figure 3-1. Generator Set 6400 JetEx8 T4 28.5 V DC (Sheet 1 of 4).

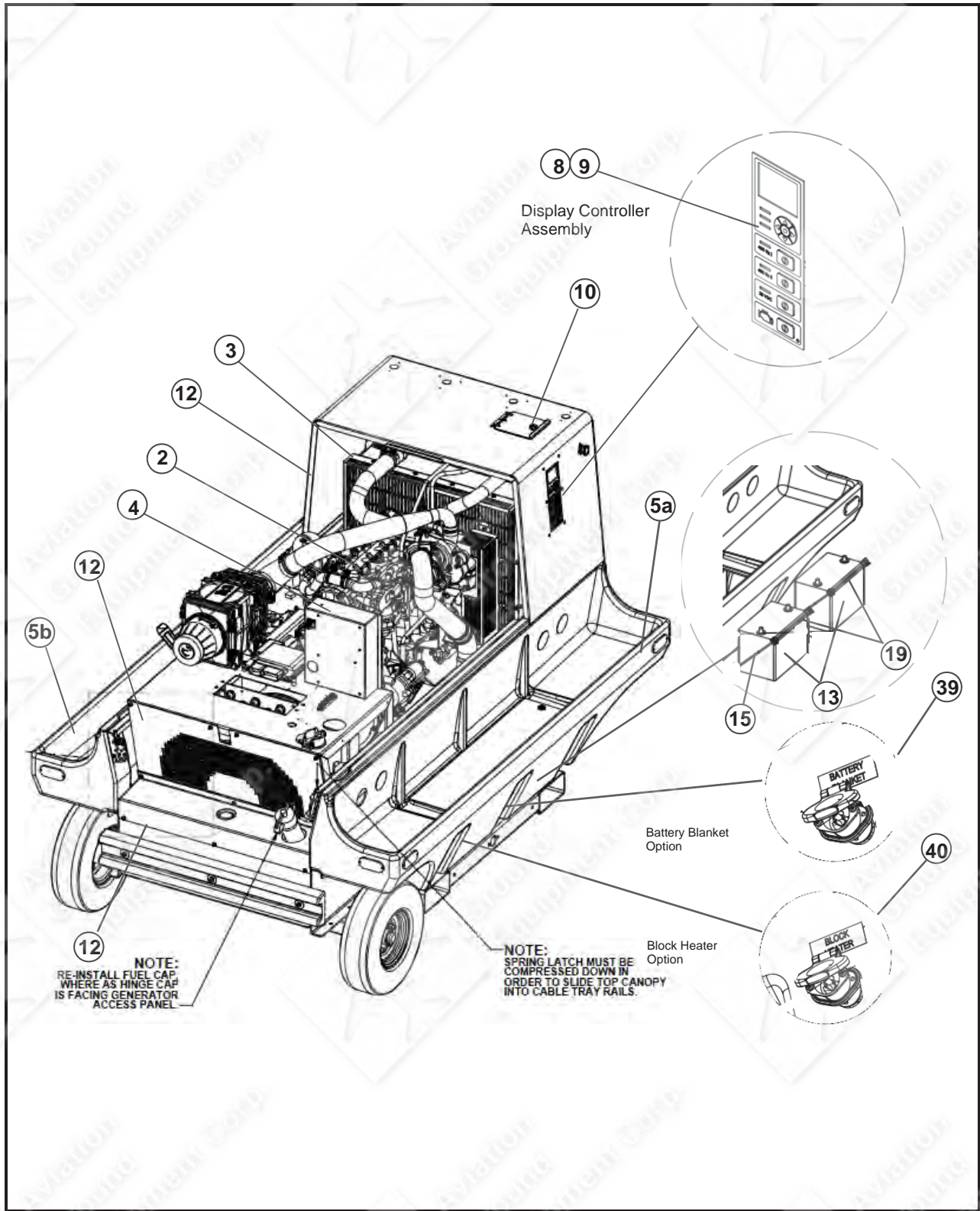


Figure 3-1. Generator Set 6400 JetEx8 T4 28.5 V DC (Sheet 2 of 4).

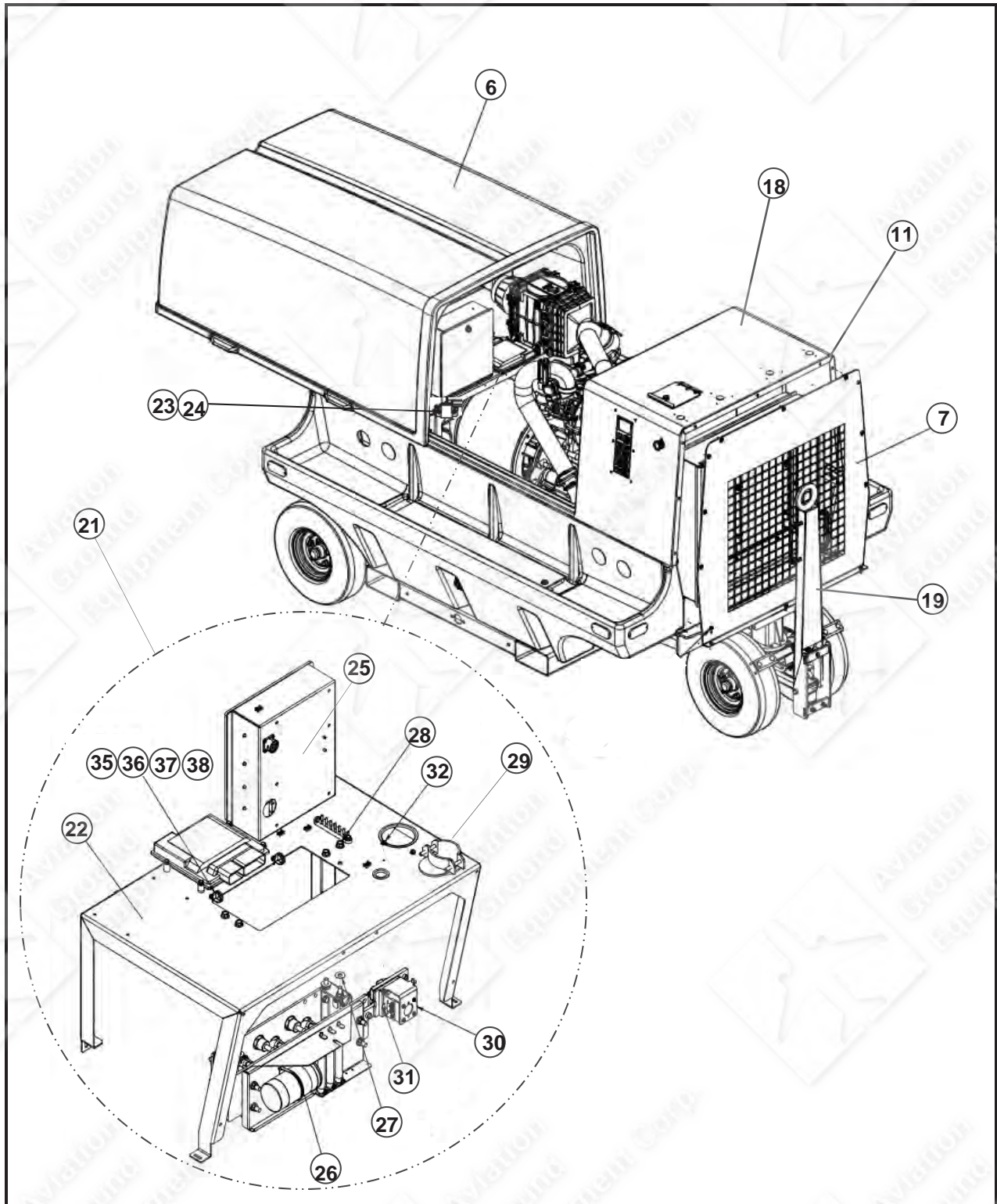


Figure 3-1. Generator Set 6400 JetEx8 T4 28.5 V DC (Sheet 3 of 4).

FIGURE - ITEM NO.	ITW GSE PART NO.	NOMENCLATURE	EFF.	QTY.
3-1-	1	JetEx8		REF
3-1-	2	293112		1
3-1-	3	293266		1
3-1-	4	293267		1
3-1-	5a	293086		1
3-1-	5b	293087		1
3-1-	6	293084		1
3-1-	7	293271		1
3-1-	8	293304		1
3-1-	9	275194		1
3-1-	10	288023		1
3-1-	11	IN5156		1
3-1-	12	IN5066		A/R
3-1-	13	281881-001		2
3-1-	14	293008		2
3-1-	15	494295		4
3-1-	16	293238		1
3-1-	17	293081		1
3-1-	18	293047		1
3-1-	19	293291-03		1
3-1-	26	*TBD		1
3-1-	20	293171		1
3-1-	20-1	293172		1
3-1-	20-2	GA11436		1
3-1-	20-3			4
3-1-	20-4	286472-004		4
3-1-	21	293268		1
3-1-	22	293132		1
3-1-	23	286850		1
3-1-	24			2
3-1-	25	293303		1
3-1-	26	293273		1
3-1-	27			4
3-1-	28			4
3-1-	29	CY11387		1
3-1-	30	286810-002		1
3-1-	31			2
3-1-	32			2
3-1-	33	*293212		1
3-1-	34	*293208		1
3-1-	35			2
3-1-	36			2
3-1-	37			2
3-1-	38	CY5039		2
3-1-	39	TBD		1
3-1-	40	TBD		1
3-1-	41	293098		1

Figure 3-1. Generator Set 6400 JetEx8 T4 28.5 V DC (Sheet 4 of 4).

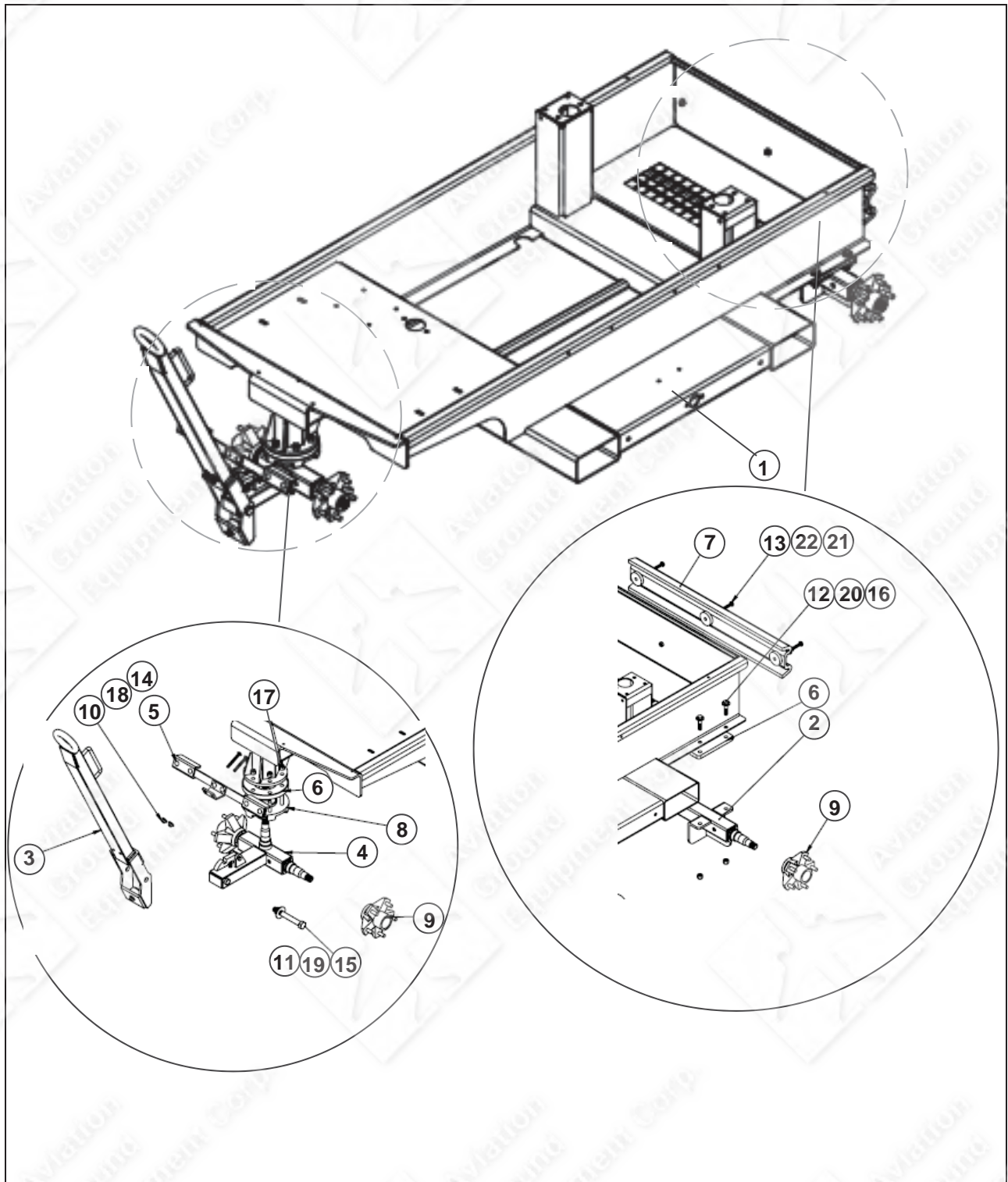


Figure 3-2. Assembly, Chassis/Running Gear 6400 JetEx8 T4 28.5 V DC (Sheet 1 of 2).

FIGURE - ITEM NO.	ITW GSE PART NO.	NOMENCLATURE	EFF.	QTY.
3-2-	293295	Trailer Assembly T3/JetEx8		1
	293291	*Running Gear		1
3-2- 1	293162	Base Frame		1
3-2- 2	293291-02	Rear Axle Assy		1
3-2- 3	293291-03	Towbar Assy		1
3-2- 4	293291-04	Front Axle Assy		1
3-2- 5	293291-05	Parking Brake Assy		1
3-2- 6	293291-06	Running Gear Spacer		1
3-2- 7	293291-07	Rear Rubber Bumper		1
3-2- 8	293291-08	Pivot Hub "5 th Wheel"		1
3-2- 9	293291-09	Wheel Hub "Rolling"		4
3-2- 10	293291-10	Carriage Bolt 3/8" x 3" Zinc		2
3-2- 11	293291-11	Hex Head Bolt 3/4" x 6.00" A-36		1
3-2- 12	293291-12	Hex Head Bolt 1/2" x 2.25" T316		4
3-2- 13	293291-13	Hex Head Bolt, M10 x 40mm A325 Galv.		3
3-2- 14	293291-14	Lock Nut 3/8", Zinc Plated		2
3-2- 15	293291-15	Lock Nut 3/4", Zinc Plated		1
3-2- 16	293291-16	Lock Nut 1/2-13, Zinc Plated		4
3-2- 17	293291-17	Lock Nut 1/2-20, Zinc Plated		6
3-2- 18	293291-18	Washer, Flat, 3/8" Zinc Plated		2
3-2- 19	293291-19	Washer, Flat, 3/4" Zinc Plated		1
3-2- 20	293291-20	Washer, Flat, 1/2" Zinc Plated		4
3-2- 21	293291-21	Washer, Flat, M10		3
3-2- 22	293291-22	Washer, Lock, M10		3
		*Item not illustrated		

Figure 3-2. Assembly, Chassis/Running Gear 6400 JetEx8 T4 28.5 V DC (Sheet 2 of 2).

This page is intentionally left blank.

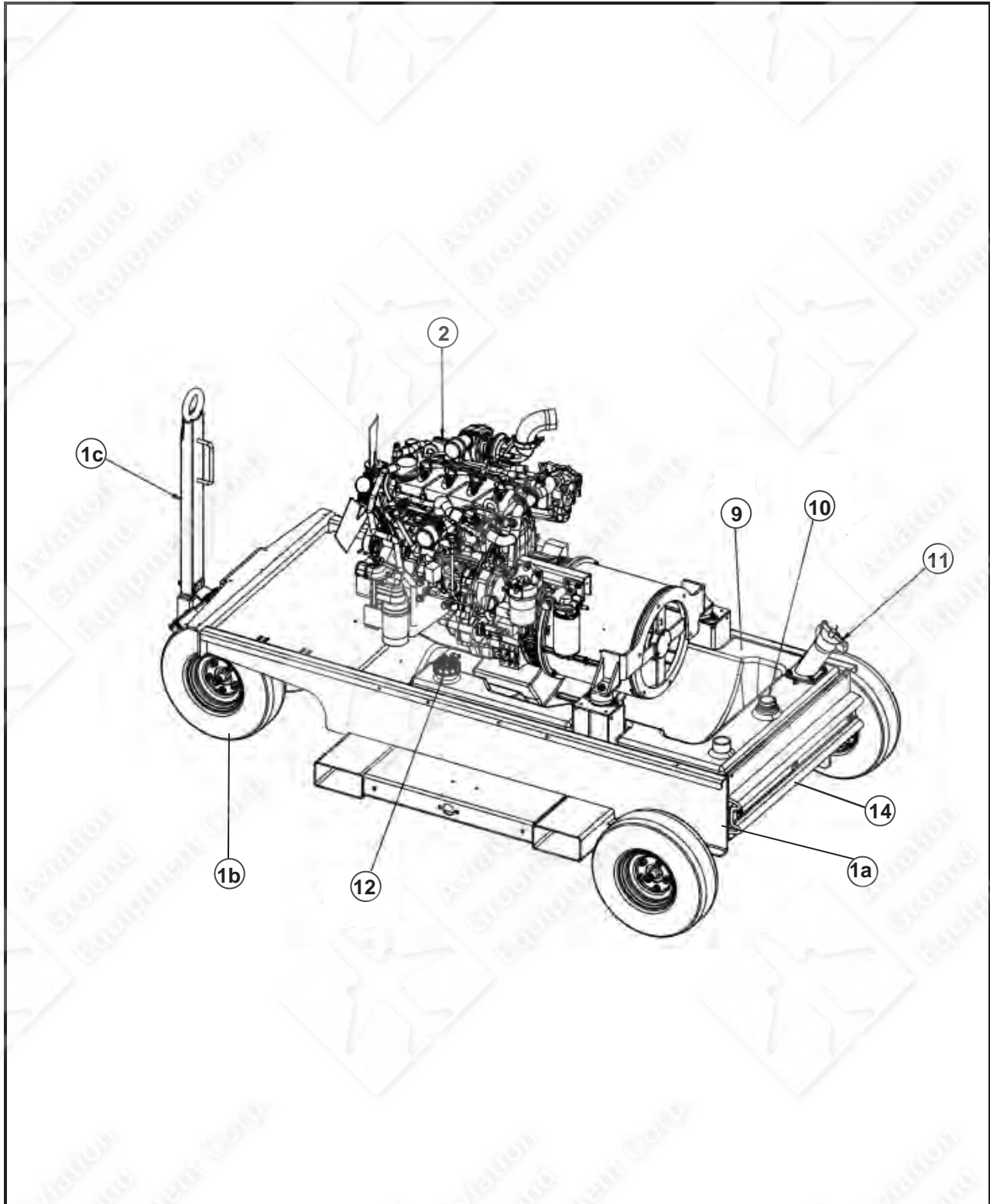


Figure 3-3. Genset/Fuel Tank Installation, 6400 JetEx8 T4 28.5 V DC (Sheet 1 of 3).

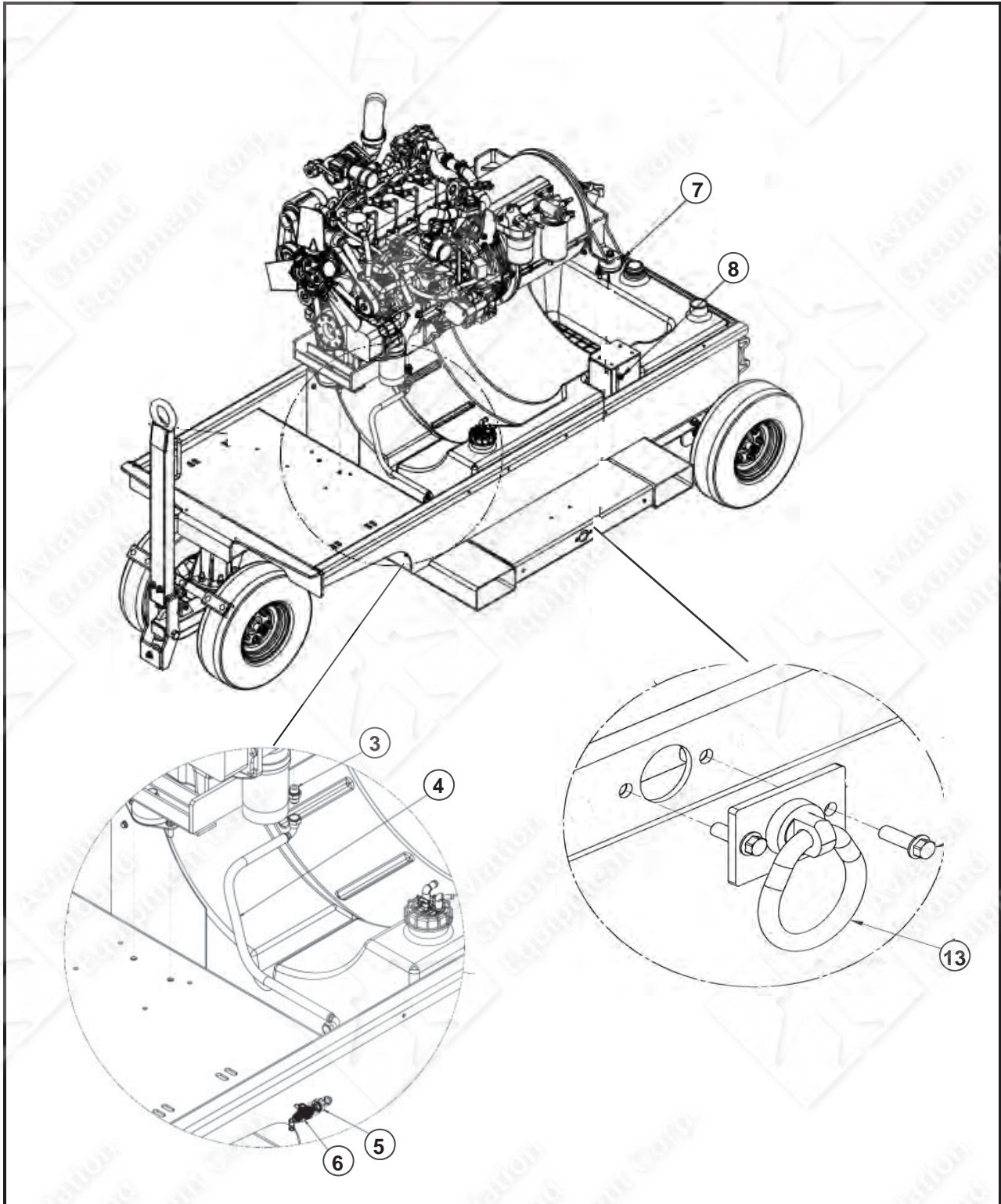


Figure 3-3. Genset/Fuel Tank Installation, 6400 JetEx8 T4 28.5 V DC (Sheet 2 of 3).

FIGURE - ITEM NO.	ITW GSE PART NO.	NOMENCLATURE	EFF.	QTY.
3-3-	293131	T4-Genset/Fuel Tank Installation, JetEx8 28.5 V DC		REF
3-3- 1a	293295	.Trailer Assembly		1
3-3- 1b	293182	..Tire, Super Grip GSE 500/570-8 ply Tubeless 18.5 OD		4
3-3- 1c	293291	..Assembly, Chassis/Running Gear		1
3-3- 2	293112	..Genset Assembly		1
3-3- 3	FI5560	..Adapter, 3/4-16 x M18x1.5		1
3-3- 4	293274	..Oil Drain Hose Assembly		1
3-3- 5	TS11478	.. Adapter, SAE 37 DEG. Male Flare Bulkhead		1
3-3- 6	VA11479	.. Valve, Oil Drain		1
3-3- 7	HGF1020	...Hex Flange Bolt, M10-1.5 x 20 LG, GR10.9		6
3-3- 8	286472-004	...M10-1.5, Serrated Nut Hex Flange		6
3-3- 9	293091	..Fuel Tank Composite Assembly, (See Figure 3-4)		1
3-3- 10	IL11359	...Mechanical Fuel Gauge		1
3-3- 11	EB11439	...Protectoseal, Fuel Cap Green		1
3-3- 12	293335	...Fuel Sender w/Coupling Nut		1
3-3- 13	293192	Tie-Down Ring Option		1
3-3- 14	TA11449	..Bumper Guard, Heavy Duty Rubber		1

*Item not illustrated

Figure 3-3. Genset/Fuel Tank Installation, 6400 JetEx8 T4 28.5 V DC (Sheet 3 of 3).

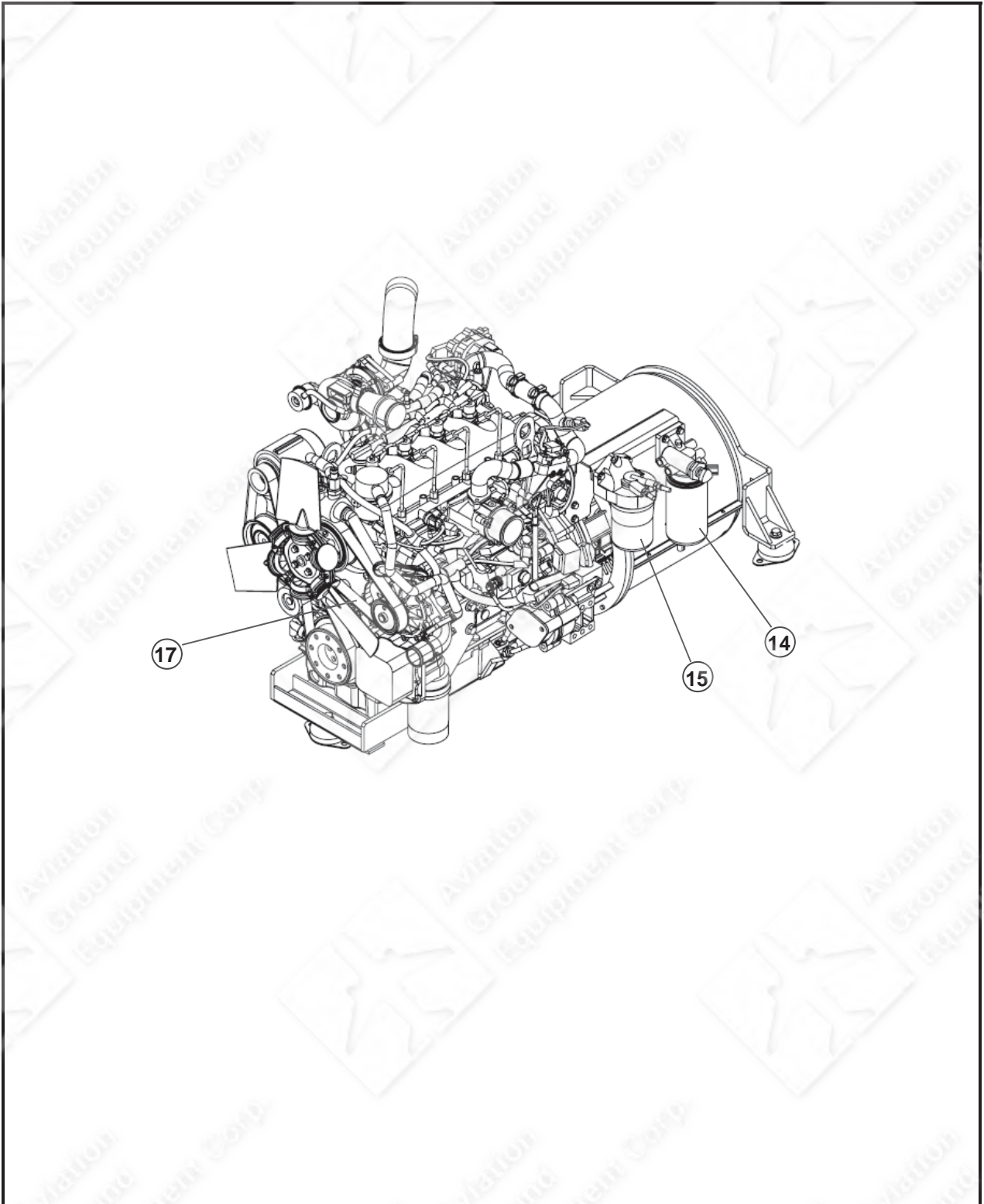


Figure 3-4. Genset Assembly, 6400 JetEx8 T4 28.5 V DC (Sheet 1 of 3).

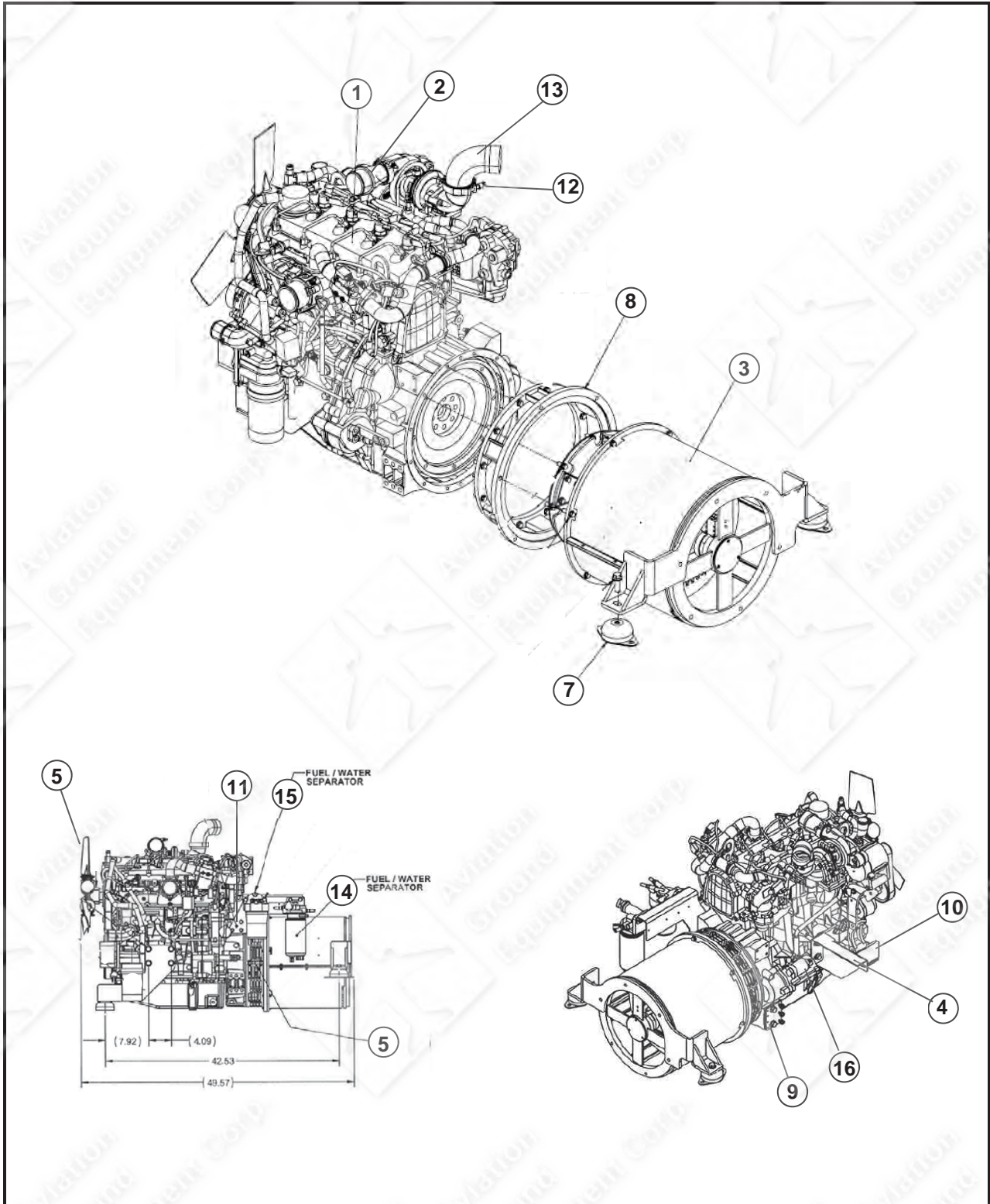


Figure 3-4. Genset Assembly, 6400 JetEx8 T4 28.5 V DC (Sheet 2 of 3).

FIGURE - ITEM NO.	ITW GSE PART NO.	NOMENCLATURE	EFF.	QTY.
3-4-	293112	T4 Genset Assembly JetEx8 28.5 V DC		Ref.
3-4- 1	293284	Engine, Cummins 28.5V DC QSF2.8 Tier 4		1
3-4- 2	IT9090	..Air Transfer Connection, Straight		1
3-4- 3	293278	..Generator Assembly		1
3-4- 4	293106	..Front Engine Mount		1
3-4- 5	FB11482	..Fan, Drive		1
3-4- 6	293380	..Cover, Fan Housing		1
3-4- 7	VM11349	..Mount, Engine/Generator		3
3-4- 8	293111	..Spacer, Housing Fan		1
3-4- 9	293052	..Plate, Ground		1
3-4- 10	293404	..Bracket, Exhaust Connection		1
3-4- 11	293149	..Bracket, Fuel Filter		1
3-4- 12	EC11623	**Clamp, V Band		1
3-4- 13	EC11622	..Tube, Exhaust Outlet		1
3-4- 14	EC11515	..Fuel Separator Assembly		1
3-4- 15	EC11514	..Fuel Filter Assembly		1
3-4- 16	EC11628	..Motor, Starting		1
3-4- 17		..Belt		

Figure 3-4. T4 Genset Assembly, 6400 JetEx8 T4 28.5 V DC (Sheet 3 of 3).

CUMMINS SPARE ENGINE PARTS

Contact Aviation Ground Equipment
Corp. directly at:

Phone: (516)546-0003

Fax: (516)546-0198

Email: sales@aviationgroundequip.com

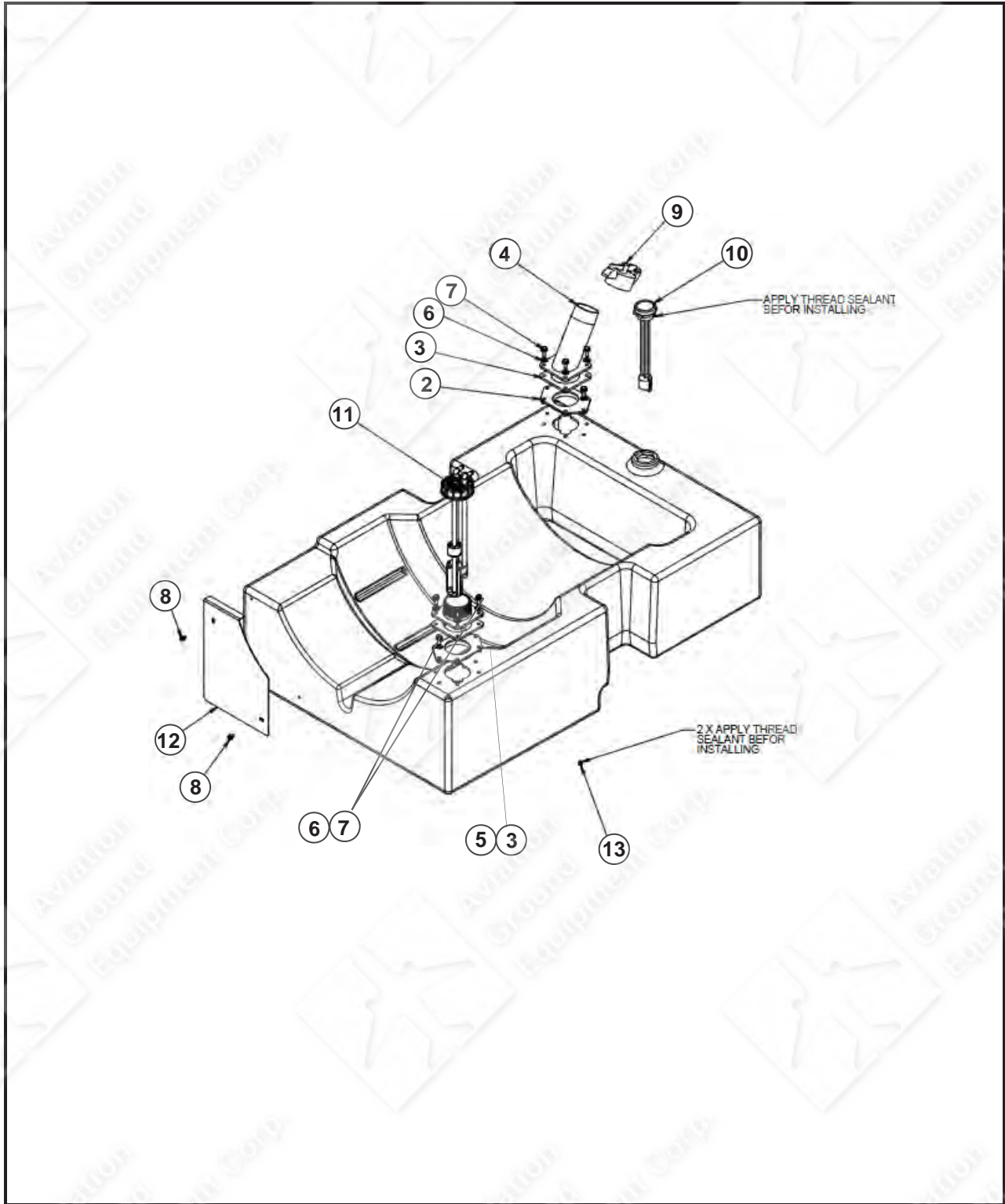


Figure 3-5. Fuel Tank Composite Assembly, 6400 JetEx8 T4 28.5 V DC (Sheet 1 of 2).

FIGURE - ITEM NO.	ITW GSE PART NO.	NOMENCLATURE	EFF.	QTY.
3-5-	293395	Fuel Tank Assembly Composite,		REF
3-5- 1	293090	..Fuel Tank, Machining, Composite CP		1
3-5- 2	293092	..Plate, Fuel Neck, Internal		2
3-5- 3	293093	..Gasket, Fuel Neck		2
3-5- 4	293094	.. Fuel Filler Neck, 2-1/2, NPT Weldment		1
3-5- 5	293066	..Fuel Sender Nipple		1
3-5- 6	282182-005	...Washer, Sealing, 5/16", 18-8 SS/Neoprene		12
3-5- 7	HGF0820	...Hex Flange Bolt, M8-1.25 x 20 LG, GR10.9		12
3-5- 8	HGF0610	...Hex Flange Bolt, M6-1 x 10 LG, GR10.9		2
3-5- 9	EB11439	..Protectoseal, Fuel Cap Green		1
3-5- 10	IL11359	..Mechanical Fuel Gauge		1
3-5- 11	SR11536	..Fuel Sender, w/Coupling Cap		1
3-5- 12	293109	..Heat Shield, Fuel Tank		1
3-5- 13	HV11620	..SAE-2 Plug		2

Figure 3-5. Fuel Tank Composite Assembly, 6400 JetEx8 T4 28.5 V DC (Sheet 2 of 2).

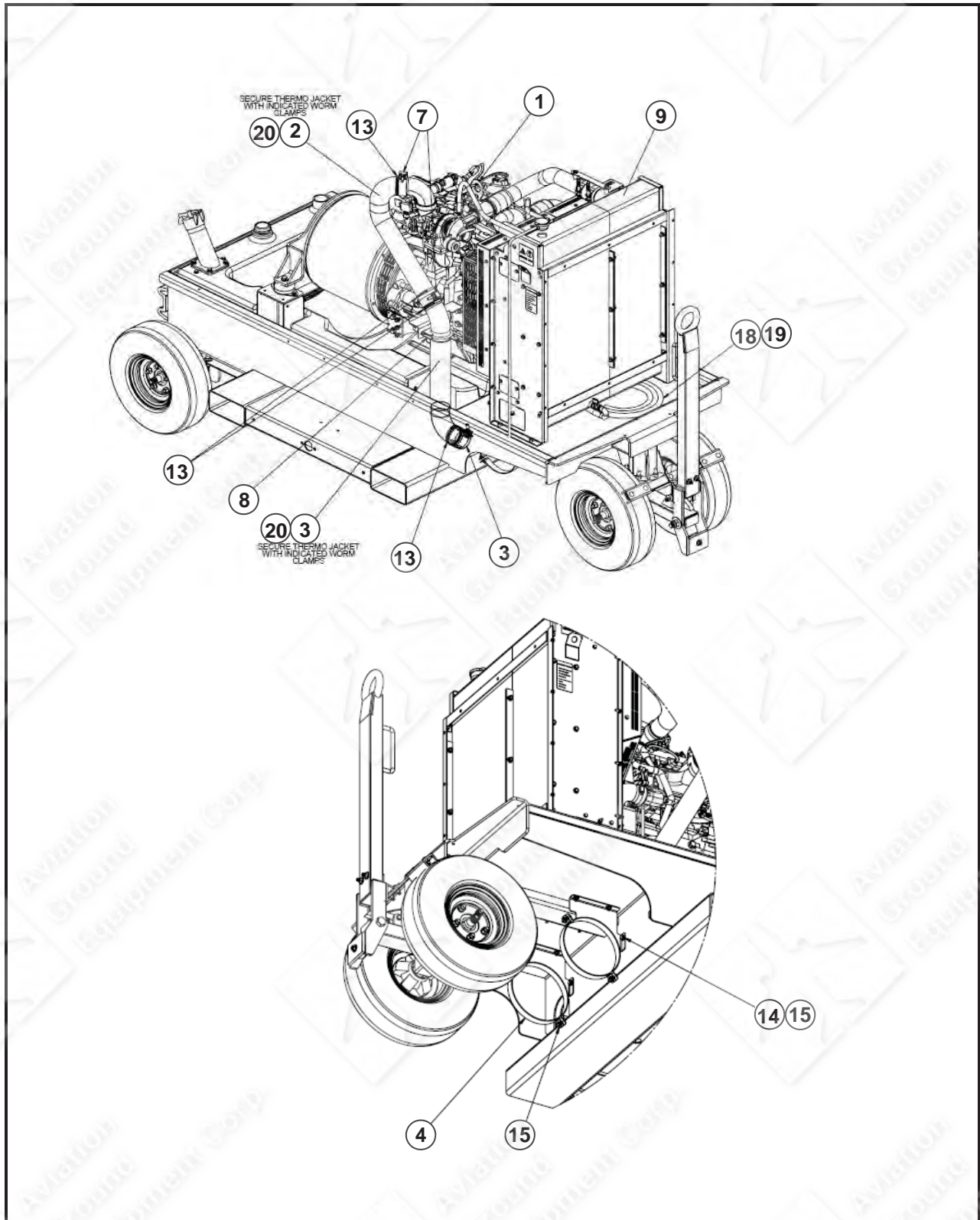


Figure 3-6. Radiator/After-Treatment Installation, 6400 JetEx8 T4 28.5 V DC (Sheet 1 of 3).

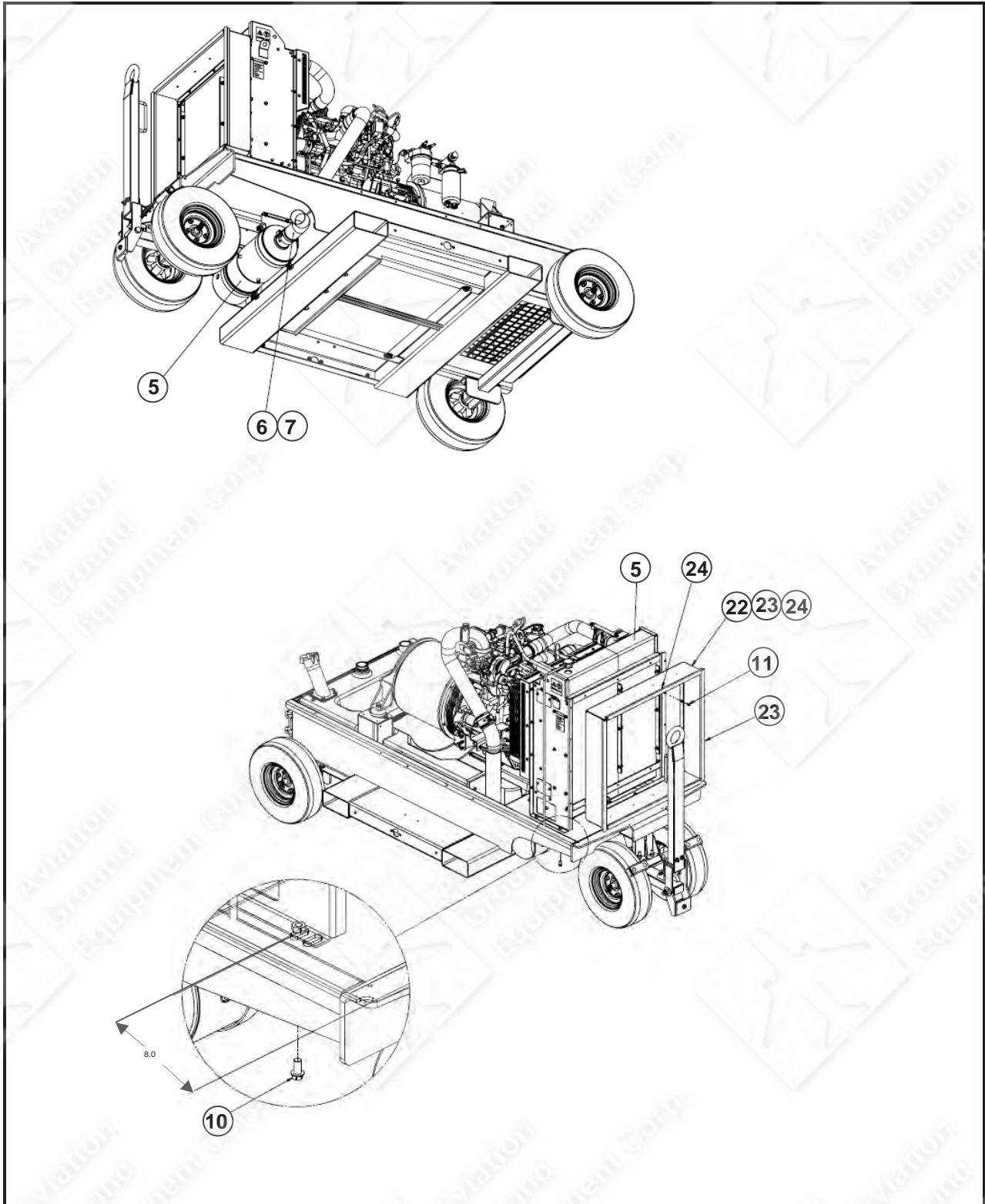


Figure 3-6. Radiator/After-Treatment Installation, 6400 JetEx8 T4 28.5 V DC (Sheet 2 of 3).

FIGURE - ITEM NO.	ITW GSE NO.	PART	NOMENCLATURE	QTY.
3-6-	293266		Radiator/Exhaust Installation, JetEx8	REF
3-6- 1	293131		Genset/Fuel Tank Installation	REF
3-6- 2	293142		..Pipe, Exhaust Manifold	1
3-6- 3	293143		..Muffler Pipe, Flexible	1
3-6- 4	293272		..Bracket, DOC	2
3-6- 5	A048Y154		..DOC, JetEx8	1
3-6- 6	EB11484		..Tail Pipe, 3" ID	1
3-6- 7	288052-002		..Clamp, Accuseal, 3.00" Dia	4
3-6- 8	404154-013		..Guillotine Clamp, 3" Dia	1
3-6- 9	293275		..Radiator	1
3-6- 10	HDW		...M10-1.5 X 20 LG, HX FLG BOLT, GR10.9	4
3-6- 11	HDW		...M6-1 X 12 LG, HX FLG BOLT, GR10.9	14
3-6- 12	HDW		...CLAMP, HOSE, GRIP 7/32 - 5/8	4
3-6- 13	HDW		...CLAMP, HOSE, GRIP 2-13/16 - 3-3/4	4
3-6- 14	HDW		...M8-1.25 X 20 LG, HX FLG BOLT, GR10.9	6
3-6- 15	HDW		...M8-1.25, HX NUT W/SPRING WASHER, ZC	10
3-6- 16	HDW		...HOSE, 3/8 ID X 11/16 OD, SILICONE RUBBER	24"
3-6- 17	HDW		...HOSE, 3/8 ID X 11/16 OD, SILICONE RUBBER	30"
3-6- 18	AH11425		... HOSE, MULTIPURPOSE, BLK, 1/2 ID	1
3-6- 19	CY0042		...CLAMP, HOSE	1
3-6- 20	IN11366		...THERMO JACKET	2
3-6- 21	AA6380		...SENSOR, COOLANT LEVEL, 3 PIN	1
3-6- 22	293009		...SHROUD, RADIATOR EXHAUST	1
3-6- 23	IN5156		...BULB SEAL, EDGE GRIP, 3/4" X 26.75 LG	2
3-6- 24	IN5156		...BULB SEAL, EDGE GRIP, 3/4" X 29.25 LG	2

Figure 3-6. Radiator/After-Treatment Installation, 6400 JetEx8 T4 28.5 V DC (Sheet 3 of 3).

This page is intentionally left blank.

FIGURE - ITEM NO.	ITW GSE PART NO.	NOMENCLATURE	EFF.	QTY.
3-7-	293275	Coolpack, Radiator Assembly		REF
3-7- 1	803001206	..Assembly, Complete Pipework		1
3-7- 1a	890001174	..CAC, Bottom Pipe		1
3-7- 1b	849001017	...84mm Spring Loaded T-Bolt		4
3-7- 1c	849001021	...71mm Spring Loaded T-Bolt		4
3-7- 1d	851001028	...Silicone Connector, 063.5mm, x 100mm, 5mm 4 Ply		1
3-7- 1e	851001050	...Silicone Connector, 072mm x 130mm x 5mm 4 Ply		1
3-7- 1f	877001009	...Plate, Restraint, 6.8"		2
3-7- 1g	890001175	..CAC Top Pipe		1
3-7- 1h	876001016	...Clip, Jubilee, 44mm-64mm		2
3-7- 1i	888001189	..JW Top Hose		1
3-7- 1j	888001190	..JW Bottom Hose		1
3-7- 1k	879001007	..M8-1.25 x 16.5mm Hex, Serrated. Flange Cap Bolt		4
3-7- 1l	851001070	..Silicone Connector, .72mm x 100mm x 5mm 4 Ply		1
3-7- 1m	876001011	...Clip, Jubilee, 50mm-70mm		1
3-7- 1n	892001169	...Top JW Hose Assembly		1
3-7- 1p	891001162	...Top CAC Pipe Assembly		1
3-7- 1q	891001161	...CAC Bottom Pipe Assembly		1
3-7- 1r	892001170	...Bottom Hose Assembly		1
3-7- 2	812001298	...Side-Member Access Blanking Plate		2
3-7- 3	835001250	..Assembly, Top Anti-Recirculation Bracket		1
3-7- 4	835001252	..Assembly, Bottom Anti-Recirculation Bracket		1
3-7- 5	857001089	...Overflow Hose - Unformed		1
3-7- 6	859001005	...M6 Serrated Flange Nut		10
3-7- 7	859001006	...M8 Serrated Flange Nut		18
3-7- 8	859001008	...M10 Welding Nuts		4
3-7- 9	859001030_3	...M6 Hank Rivet Bush		8
3-7- 10	860001022	..Standard Lifting Eye (Small)		2
3-7- 11	862001004	...Label, Lifting, "Radiator Only" – 80mm x 80mm		2
3-7- 12	862001005	...Label, Logo and Serial Number		2
3-7- 13	869001162	..Assembly, Fill Line		1
3-7- 14	879001004	...M6-1 x 25mm Hex Serrated Flanged Bolt		53
3-7- 15	879001013	... M8-1.25 x 25mm Hex Serrated Flanged Bolt		18
3-7- 16	896001388	..Assembly, Fan Guarding		1
3-7- 17	897001501	..Assembly, Bottom Fan Cowl Section		1
3-7- 18	897001503	..Assembly, Top Fan Cowl Section		1
3-7- 19	899001360	..Assembly, Fan Cowl, No Ring		1
3-7- 20	900001583	..LHS Side-Member		1
3-7- 21	900001703	.. Assembly, RHS Side-Member		1
3-7- 22	911001122	..Assembly, CAC Slab		1
3-7- 23	912001245	..Assembly, JW Slab – Plate & Bar		1

Figure 3-7. Coolpack, Radiator Assembly 6400 JetEx8 T4 28.5 V DC (Sheet 2 of 2).

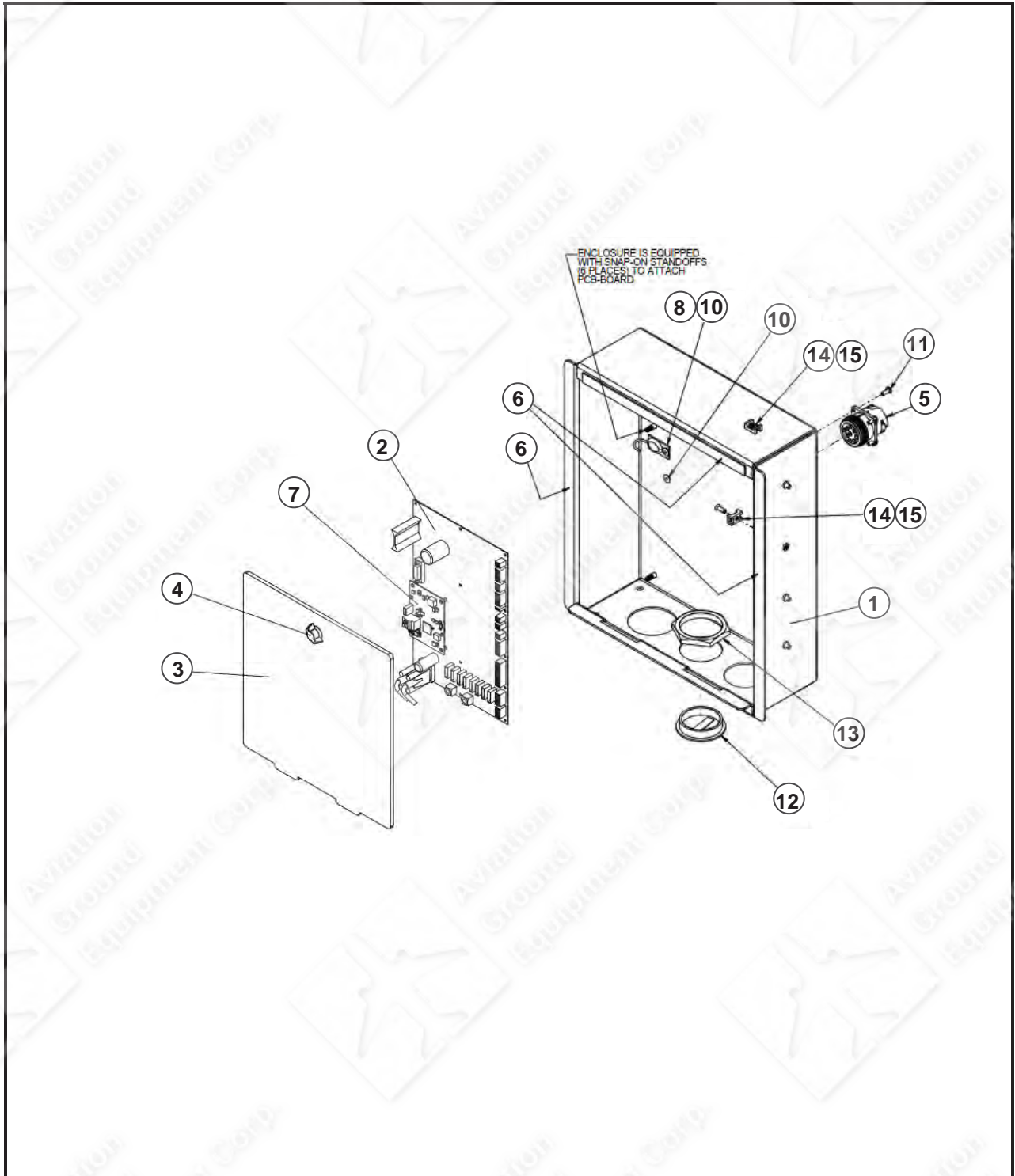


Figure 3-8. Control Module Box Assembly 6400 JetEx8 T4 28V DC (Sheet 1 of 2).

FIGURE ITEM NO.	ITW GSE PART NO.	NOMENCLATURE	QTY.
3-8-	293303	Control Module Box Assembly	REF
3-8- 1	293249	.Control Box	1
3-8- 2	579542	..Diesel Interface Board, 12 V System	1
3-8- 3	293026	..Control Box Cover	1
3-8- 4	288023	...Knob Wing Latch	1
3-8- 5	293211	...Harness, Cummins Dongle	1
3-8- 6	IN5066	...Closed Cell Sponge with Adhesive, 1/2" X 1/8"	A/R
3-8- 7	579526-J8	..Control Board	1
3-8- 8	579533	..EEPROM Board	1
3-8- 9	*293194	.Schematic, Engine Drive	REF
3-8- 10	400785-006	..Pop Rivet, 3/16 Diameter, (1/8-1/4 Grip)	1
3-8- 11	WI1223-002	...#6-32 x 3/8 PH PAN HD T/C	4
3-8- 12	FI11626	...Hole Plug, PG-36	1
3-8- 13	HV11627	...Locknut, PG-36 Nylon	1
3-8- 14	FF11389	...Tie-Down, Black	5
3-8- 15	HV5410	...M4-0.7 x 10mm, PH FLT HD	5

* Item Not Illustrated

Figure 3-8. Control Module Box Assembly 6400 Jet-Ex8 T4 28V DC (Sheet 2 of 2).

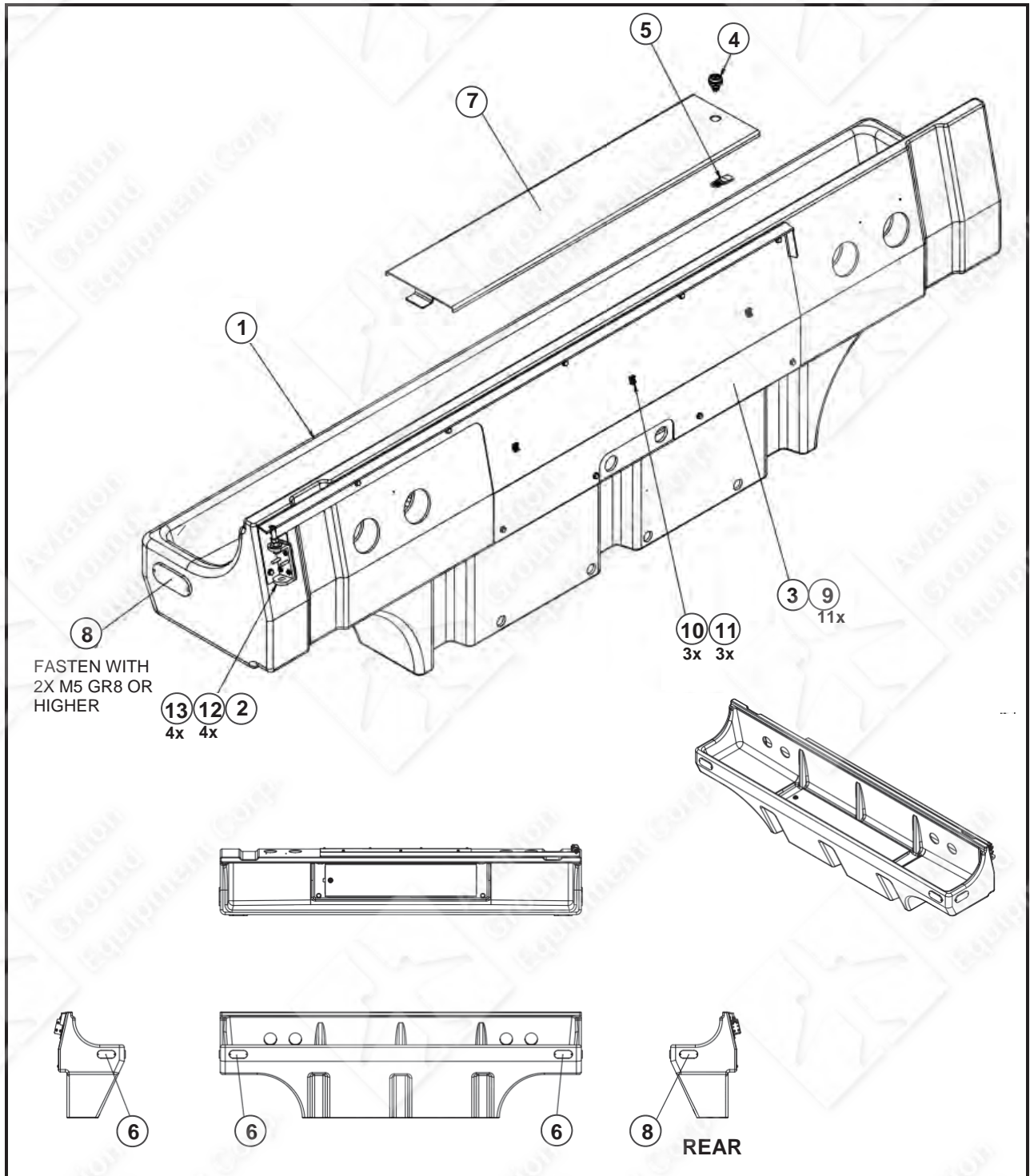


Figure 3-9. Cable Tray Assembly, Left Side Common Platform (Sheet 1 of 2).

FIGURE ITEM NO.	ITW GSE PART NO.	NOMENCLATURE	EFF.	QTY.
3-9- 1	293086	Cable Tray, Assembly, Left Side		REF
3-9- 2	293193	..Compression Latch, Modified		1
3-9- 3	293077-01	..Heat Shield, Cable Tray		1
3-9- 4	KH11192	...Cam Latch, Hex Head 8-32; NEMA 4		1
3-9- 5	KH11191	...Cam Grip Latch		1
3-9- 6	408665-02	..Reflector, Amber, Oblong		3
3-9- 7	293013	..Battery Cover		1
3-9- 8	408665-01	..Reflector, Red, Oblong		1
3-9- 9	HV5225	...#14 x 1 Hex Washer TEK Screw		11
3-9- 10	FF11389	...Tie-Down Black		3
3-9- 11	HM0620	...M6-1 x 20mm LG PH FLT HD		3
3-9- 12	203494-007	...M5 x 0.8 x 16 LG PH PN HD M/S		4
3-9- 13	286472-001	...M5 x 0.8 Nut Hex Flange		4

Figure 3-9. Cable Tray Assembly, Left Side Common Platform (Sheet 2 of 2).

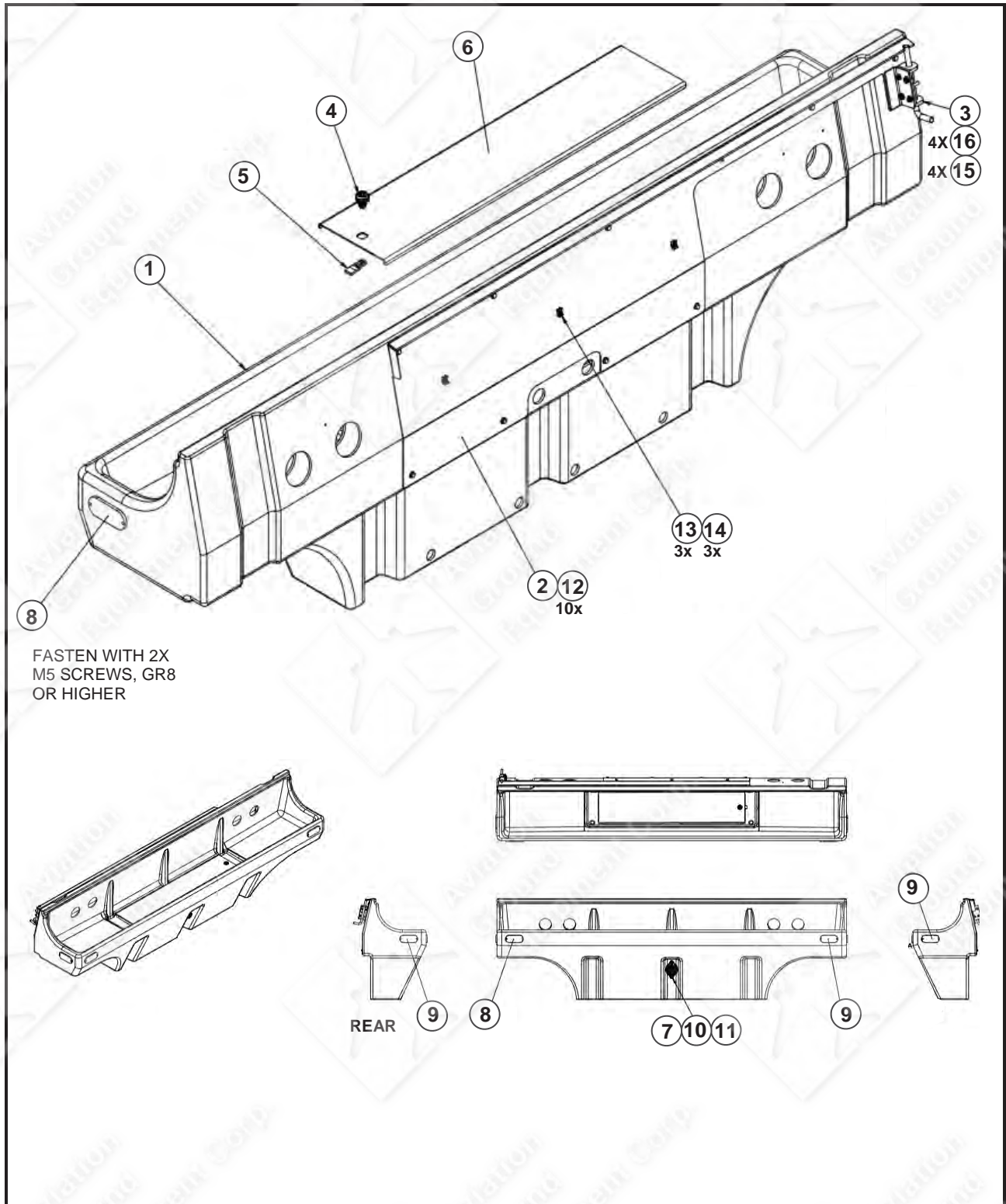


Figure 3-10. Cable Tray Assembly, Right Side Common Platform (Sheet 1 of 2).

FIGURE ITEM NO.	ITW GSE PART NO.	NOMENCLATURE	EFF.	QTY.
3-10- 1	293087	Cable Tray Assembly, Right Side		REF
3-10- 2	293077-02	..Heat Shield, Cable Tray		1
3-10- 3	KH11401	...Compression Latch		1
3-10- 4	KH11192	...Cam Latch, Hex Head 8-32; NEMA 4		1
3-10- 5	KH11191	...Cam Grip Latch		1
3-10- 6	293013	..Battery Cover		1
3-10- 7	SR11446	...Battery Switch Disconnect		1
3-10- 8	408665-002	..Reflector, Amber, Oblong		3
3-10- 9	408665-001	..Reflector, Red, Oblong		1
3-10- 10	HGF0830	... Hex Flg Bolt, M8-1.25 x 30 LG, GR10.9		2
3-10- 11	286473-004	...Hex Nut W/Spring Washer, M8 x 1.25		2
3-10- 12	HV5225	...#14 x 1 Hex Washer TEK Screw		11
3-10- 13	FF11389	...Tie-Down Black		3
3-10- 14	HM0620	... M6-1 x 20mm LG PH FLT HD		3
3-10- 15	203494-007	...M5 x 0.8 x 16 LG PH PN HD M/S		4
3-10- 16	286472-001	...M5 x 0.8 Nut Hex Flange		4

Figure 3-10. Cable Tray Assembly, Right Side Common Platform (Sheet 2 of 2).

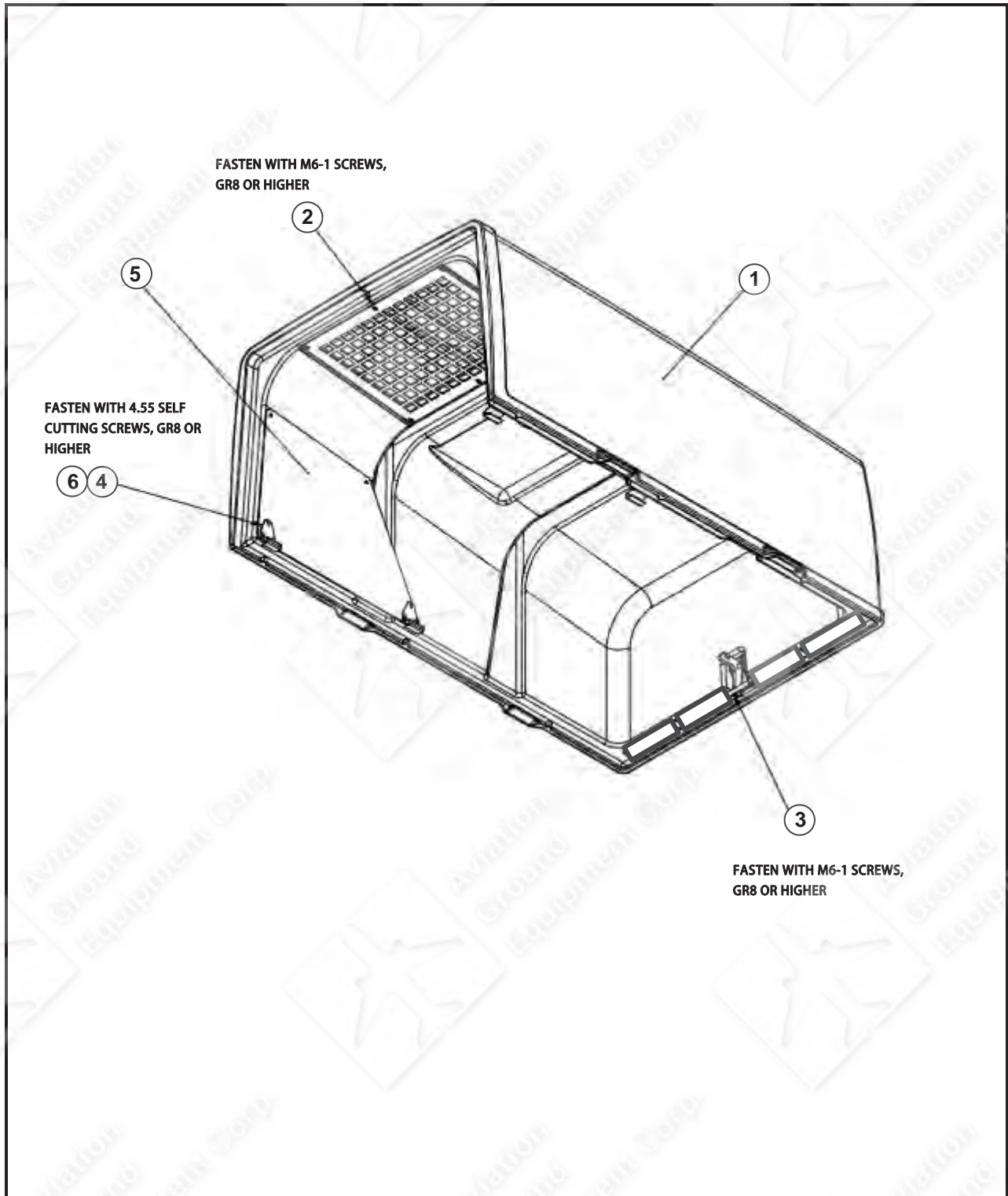


Figure 3-11. Top Canopy, Composite, Assembly Common Platform (Sheet 1 of 2).

FIGURE ITEM NO.	ITW GSE PART NO.	NOMENCLATURE	EFF.	QTY.
3-11- 1	293084	Top Canopy, Composite, Assembly		REF
3-11- 2	293020	..Panel, Top Grid		1
3-11- 3	293078	...Latch Assembly, Top Canopy		1
3-11- 4	293018	...Hook Slide, Main Canopy		4
3-11- 5	293019	..Heat Shield, Side, Top Canopy		1

Figure 3-11. Top Canopy, Composite Assembly Common Platform (Sheet 2 of 2).

Section 3 Numerical Index

1) Explanation of Numerical Index

The purpose of this index is to assist the user in finding the illustration and description of a part when the part number is known. Part numbers are arranged in alphanumerical sequence.

FIGURE ITEM NO.	ITW GSE PART NO.	FIGURE ITEM NO.	ITW GSE PART NO.
3-6-21	AA6380	3-4-16	EC11628
3-6-18	AH11425	3-4-5	FB11482
3-6-5	A048Y154	3-8-14	FF11389
3-5-19	CY0042	3-10-13	FF11389
3-1-29	CY11387	3-9-10	FF11389
3-1-38	CY5039	3-8-12	FI11626
3-3-11	EB11439	3-3-3	FI5560
3-5-9	EB11439	3-1-20-2	GA11436
3-6-6	EB11484	3-5-8	HGF0610
3-4-15	EC11514	3-5-8	HGF0820
3-4-14	EC11515	3-10-10	HGF0830
3-4-13	EC11622	3-1-20-3	HGF1020
3-4-12	EC11623	3-3-7	HGF1020

FIGURE ITEM NO.	ITW GSE PART NO.
3-9-11	HM0620
3-10-14	HM0620
3-5-13	HV11620
3-8-13	HV11627
3-8-15	HV5410
3-9-9	HV5225
3-10-12	HV5225
3-3-10	IL11359
3-5-10	IL11359
3-6-20	IN11366
3-1-12	IN5066
3-8-6	IN5066
3-1-11	IN5156
3-6-23	IN5156
3-6-24	IN5156
3-4-2	IT9090

FIGURE ITEM NO.	ITW GSE PART NO.
3-9-5	KH11191
3-10-5	KH11191
3-9-4	KH11192
3-10-4	KH11192
3-10-3	KH11401
3-10-7	SR11446
3-5-11	SR11536
3-3-14	TA11449
3-3-5	TS11478
3-3-6	VA11479
3-4-7	VM11349
3-9-12	203494-007
3-10-15	203494-007
3-1-9	275194
3-1-13	281881-001
3-5-6	282182-005

FIGURE ITEM NO.	ITW GSE PART NO.
3-9-13	286472-001
3-10-16	286472-001
3-1-20-4	286472-004
3-3-8	286472-004
3-10-11	286473-004
3-1-30	286810-002
3-1-23	286850
3-1-10	288023
3-8-4	288023
3-6-7	288052-002
3-1-14	293008
3-6-22	293009
3-9-7	293013
3-10-6	293013
3-11-4	293018
3-11-5	293019

FIGURE ITEM NO.	ITW GSE PART NO.
3-11-2	293020
3-8-3	293026
3-1-18	293047
3-4-9	293052
3-5-5	293066
3-9-3	293077-01
3-10-2	293077-02
3-11-3	293078
3-1-17	293081
3-1-6	293084
3-11-1	293084
3-1-5a	293086
3-9-1	293086
3-1-5B	293087
3-10-1	293087
3-5-1	293090

FIGURE ITEM NO.	ITW GSE PART NO.
3-3-9	293091
3-5-2	293092
3-5-3	293093
3-5-4	293094
3-1-41	293098
3-4-4	293106
3-5-12	293109
3-4-8	293111
3-3-2	293112
3-1-2	293112
3-4-	293112
3-3-	293131
3-6-1	293131
3-1-22	293132
3-6-2	293142
3-6-3	293143

FIGURE ITEM NO.	ITW GSE PART NO.
3-4-11	293149
3-2-1	293162
3-1-20	293171
3-1-20-1	293172
3-3-1b	293182
3-3-13	293192
3-9-2	293193
3-8-9	293194
3-1-34	293208
3-8-5	293211
3-1-33	293212
3-1-16	293238
3-8-1	293249
3-1-3	293266
3-6-	293266
3-1-4	293267



FIGURE ITEM NO.	ITW GSE PART NO.
3-1-21	293268
3-1-7	293271
3-6-4	293272
3-1-26	293273
3-3-4	293274
3-6-9	293275
3-7-	293275
3-4-3	293278
3-4-1	293284
3-3-1c	293291
3-2-	293291
3-2-2	293291-02
3-1-19	293291-03
3-2-3	293291-03
3-2-4	293291-04
3-2-5	293291-05

FIGURE ITEM NO.	ITW GSE PART NO.
3-2-6	293291-06
3-2-7	293291-07
3-2-8	293291-08
3-2-9	293291-09
3-2-10	293291-10
3-2-11	293291-11
3-2-12	293291-12
3-2-13	293291-13
3-2-14	293291-14
3-2-15	293291-15
3-2-16	293291-16
3-2-17	293291-17
3-2-18	293291-18
3-2-19	293291-19
3-2-20	293291-20
3-2-21	293291-21

FIGURE ITEM NO.	ITW GSE PART NO.
3-2-22	293291-22
3-2-	293295
3-3-1a	293295
3-8-	293303
3-1-25	293303
3-1-8	293304
3-3-12	293335
3-4-6	293380
3-5-	293395
3-4-10	293404
3-8-10	400785-006
3-6-8	404154-013
3-9-8	408665-01
3-10-9	408665-01
3-9-6	408665-02
3-10-8	408665-02

FIGURE ITEM NO.	ITW GSE PART NO.
3-8-7	579526-J8
3-8-8	579533
3-8-2	579542
3-7-1	803001206
3-7-2	812001298
3-7-3	835001250
3-7-4	835001252
3-7-1b	849001017
3-7-1c	849001021
3-7-1d	851001028
3-7-1e	851001050
3-7-1f	851001070
3-7-5	857001089
3-7-6	8591001005
3-7-7	859001006
3-7-8	859001008

FIGURE ITEM NO.	ITW GSE PART NO.
3-7-9	859001030_3
3-7-11	862001004
3-7-12	862001005
3-7-10	860001022
3-7-1m	876001011
3-7-1h	876001016
3-7-13	869001162
3-7-1f	877001009
3-7-14	879001004
3-7-1k	879001007
3-7-15	879001013
3-7-1i	888001189
3-7-1j	888001190
3-7-1a	890001174
3-7-1g	890001175
3-7-1q	891001161

FIGURE ITEM NO.	ITW GSE PART NO.
3-7-1p	891001162
3-7-1n	892001169
3-7-1r	892001170
3-7-16	896001388
3-7-17	897001501
3-7-18	897001503
3-7-19	899001360
3-7-20	900001583
3-7-21	900001703
3-7-22	911001122
3-7-23	912001245

This page intentionally left blank