



**Aviation
Ground
Equipment Corp.**

HOBART[®]
GROUND POWER

Illustrated Parts List for 60CU24

60 kVA, 3 Phase, 115/200 Volt,
400 Hz. Generator Set



Series 500060E

Chapter 1 Illustrated Parts List

Section 1 Introduction

1) General

The Illustrated Parts List identifies, describes, and illustrates main assemblies, subassemblies, and detail parts of an Engine-Generator Set manufactured by ITW GSE Group, Hobart Ground Power.

2) Purpose

The purpose of this list is to provide parts identification and descriptive information to maintenance and provisioning personnel for use in provisioning, requisitioning, purchasing, storing, and issuing of spare parts.

3) Arrangement

Chapter 1 is arranged as follows:

- Section 1 - Introduction
- Section 2 - Parts List
- Section 3 - Numerical index

4) Explanation of Parts List

a) Contents

The parts list contains a breakdown of the equipment into assemblies, subassemblies, and detail parts. All parts of the equipment are listed except:

- (1) Standard hardware items (attaching parts) such as nuts, screws, washers, etc., which are available commercially.
- (2) Bulk items such as wire, cable, sleeving, tubing, etc., which are also commercially available.
- (3) Permanently attached parts, which lose their identity by being welded, soldered, riveted, etc., to other parts, weldments, or assemblies.

b) Parts List Form

This form is divided into six columns. Beginning at the left side of the form and proceeding to the right, columns are identified as follows:

- (1) FIGURE-ITEM NO. Column

This column lists the figure number of the illustration applicable to a particular parts list and also identifies each part in the list by an item number. These item numbers also appear on the illustration. Each item number on an illustration is connected to the part to which it pertains by a leader line. Thus the figure and item numbering system ties the parts lists to the illustrations and

vice-versa. The figure and index numbers are also used in the numerical index to assist the user in finding the illustration of a part when the part number is known.

(2) **FACTORY PART NUMBER** Column

All part numbers appearing in this column are Hobart numbers. In all instances where the part is a purchased item, the vendor's identifying five-digit code and his part number will appear in the "NOMENCLATURE" column. Vendor parts, which are modified by Hobart, will be identified as such in the "NOMENCLATURE" column. In case Hobart does not have an identifying part number for a purchased part, the "FACTORY PART NUMBER" column will reflect "No Number" and the vendor's number will be shown in the "NOMENCLATURE" column. Parts manufactured by Hobart will reflect no vendor or part number in the "NOMENCLATURE" column.

(3) **NOMENCLATURE** Column

The item-identifying name appears in this column. The indenture method is used to indicate item relationship. Thus, components of an assembly are listed directly below the assembly and indented one space. Vendor codes and part numbers for purchased parts are also listed in this column when applicable. Hobart modification to vendor items is also noted in this column.

(4) **EFF (Effective)** Column

This column is used to indicate the applicability of parts to different models of equipment. When more than one model of equipment is covered by a parts list, there are some parts that are used on only one model. This column is used for insertion of a code letter A, B, etc., to indicate these parts and to identify the particular model they are used on. Since this manual covers more than one generator set specification, this column is used as follows:

Parts Code	Part Number	Parts Code	Part Number
A	500060E-101	F	500060E-106
B	500060E-102	G	500060E-108
C	500060E-103	H	500060E-109
D	500060E-104	J	500060E-110
E	500060E-105	K	500060E-111

(5) **UNITS PER ASSEMBLY** Column

This column indicates the quantity of parts required for an assembly or subassembly in which the part appears. This column does not necessarily reflect the total used in the complete end item.

Section 2 Illustrated Parts List

1) Explanation of Parts List Arrangement

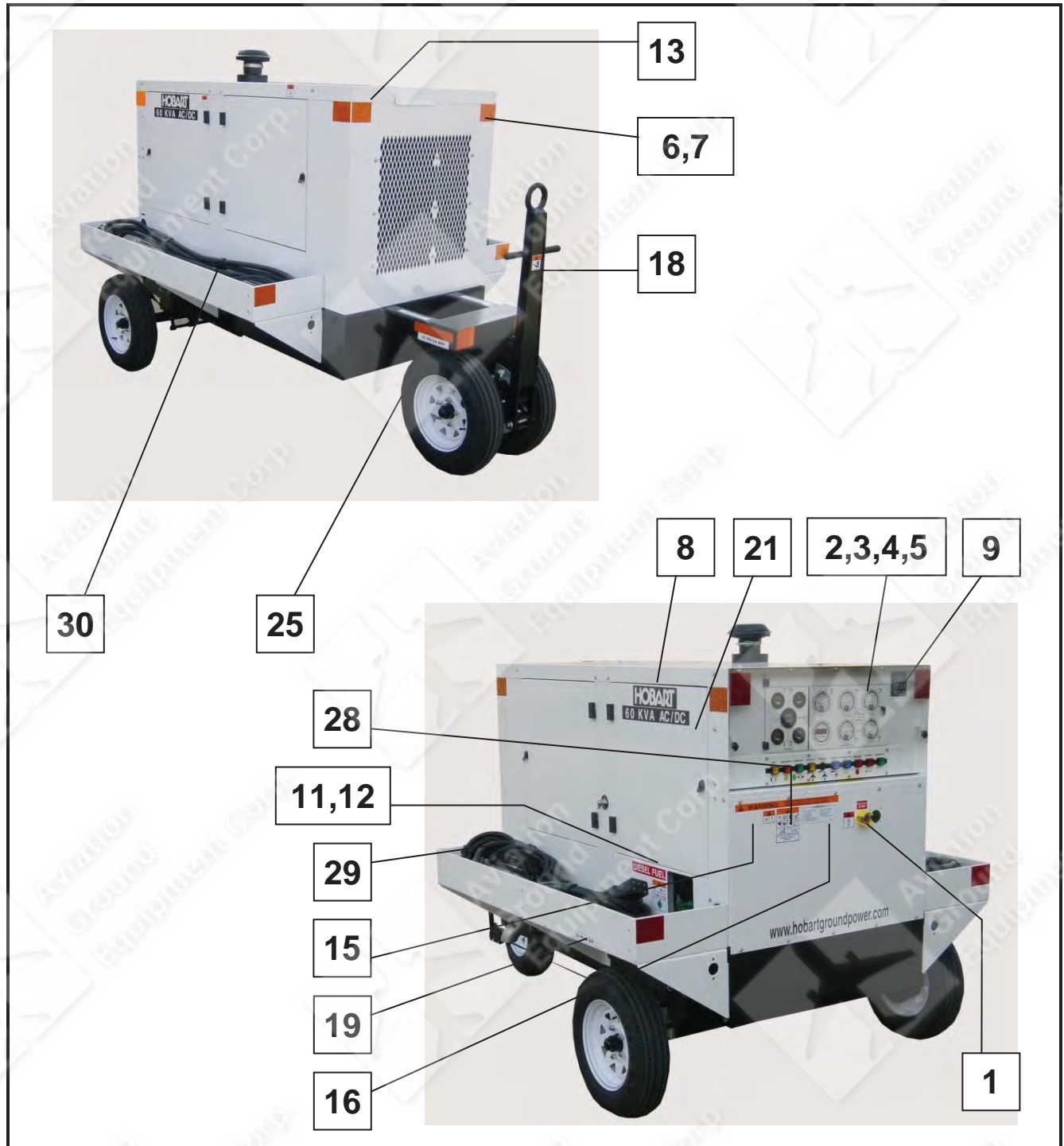
The parts list is arranged so that the illustration will appear on a left-hand page and the applicable parts list will appear on the opposite right-hand page. Unless the list is unusually long, the user will be able to look at the illustration and read the parts list without turning a page.

2) Symbols and Abbreviations

The following is a list of symbols and abbreviations used in the parts list:

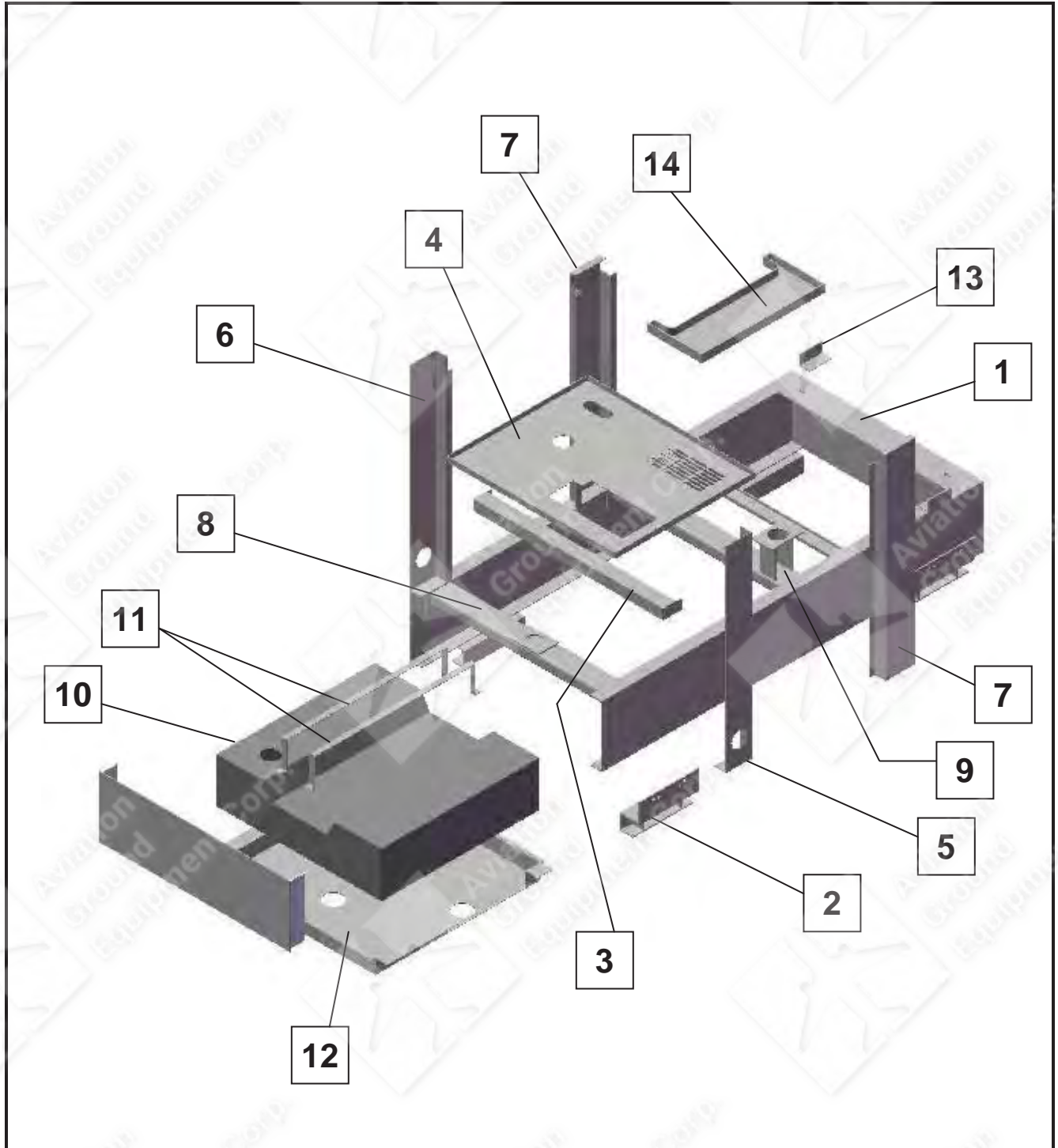
*	-	Item not illustrated
A, or AMP	-	Ampere
AC	-	Alternating current
AR	-	As required
DC	-	Direct current
Fig.	-	Figure
hd.	-	Head
hex	-	Hexagon
Hz	-	Hertz (cycles-per-second)
I.D.	-	Inside diameter
IN or “	-	Inch
KVA	-	Kilovolt-ampere
uF	-	Microfarad
No.	-	Number
NHA	-	Next higher assembly
PRV	-	Peak reverse voltage
PSI	-	Pounds per square inch
Ref	-	Reference (the item has been listed previously)
RH	-	Right Hand
LH	-	Left Hand
TM	-	Technical Manual
T-R	-	Transformer-rectifier
V	-	Volt or used as a prefix indicating vendor code

NOTE: An item which does not reflect an index number is an assembly which is not illustrated in it's assembled state, or it is similar (right-hand, left-hand, top, etc.) to an item which is illustrated.



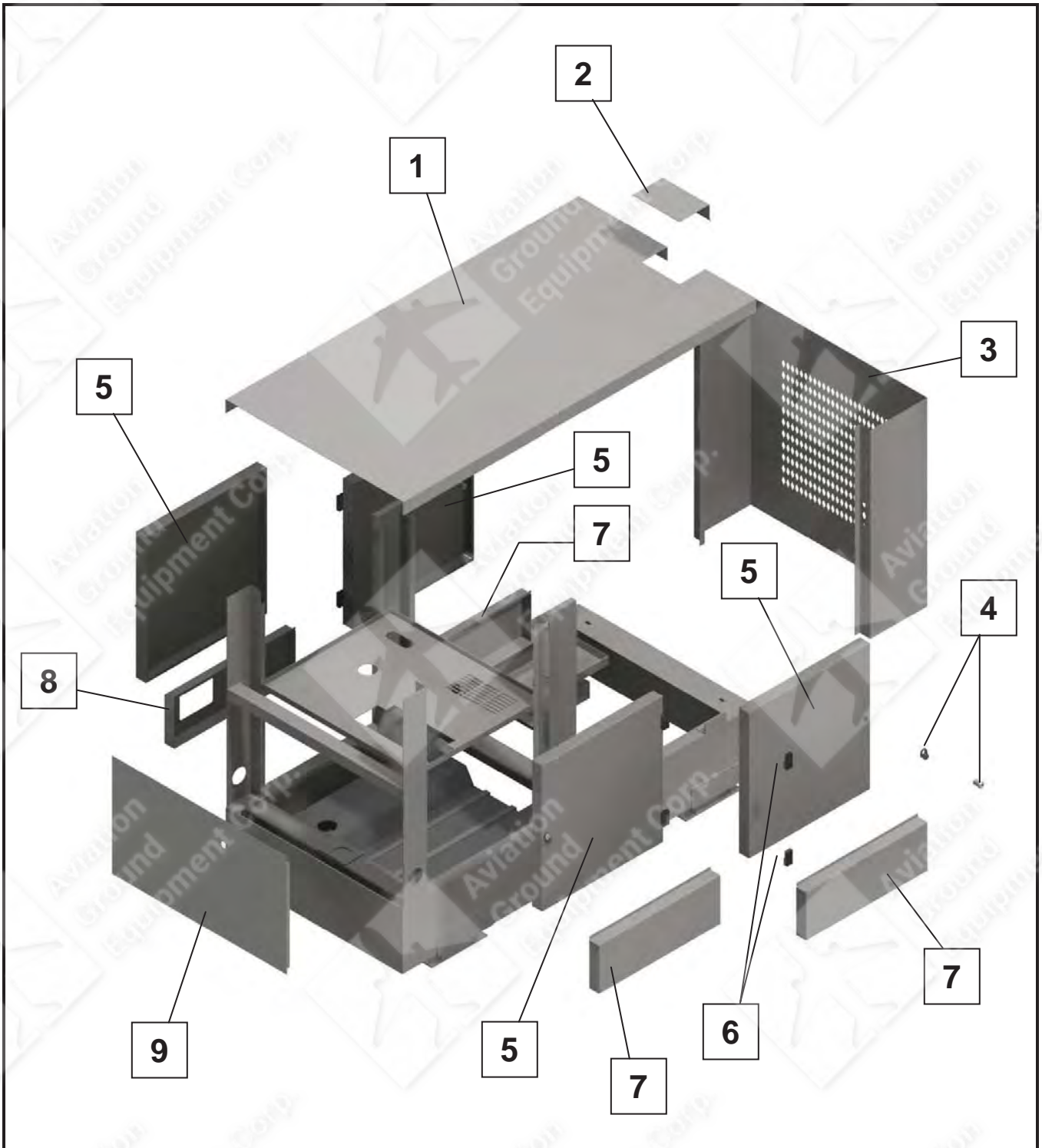
General Assembly
Figure 1

FIGURE ITEM NO.	FACTORY PART NO.	NOMENCLATURE	EFF	QTY PER ASSY.	
1-	1	Emergency Stop Button			
	285125	...Guard, Mushroom Button (V14799 #K56YM)		1	
	288300	...Emergency Stop Label		1	
	77A1157	...Switch, Push-Pull (V14799 #KR-9R-H6)		1	
	287466	...Label, Emergency Stop		1	
		Operator Control Panel			
2	290709	...Control Cover		1	
3	288023	...Wing Knob Latch		2	
4	288020	...Bracket Latch		2	
5	290687	...Hinge, Control Cover		1	
		Labels, Nameplates and Reflectors			
6	408665-001	Red Reflector	A,B,E,G,J	8	
	408665-001	Red Reflector	C,D,F,H,K	4	
7	408665-002	Amber Reflector	A,B,E,G,J	24	
	408665-002	Amber Reflector	C,D,F,H,K	12	
8	402987	Hobart Label		2	
9	78A-1000	I.D. Label		1	
*	10	79A-1110	Option Label	1	
	11	287461	Fuel Label	1	
	12	76B-1148	Diesel Fuel Label	1	
*	13	287462	Radiator Label	1	
*	14	287463	Hot Muffler Label	1	
	15	282658	Label, Warning, Clearance	1	
	16	288866	Support Center Label	1	
*	17	288862	Engine Speed "Caution" Label	1	
	18	287465	Warning Drawbar Label	A,B,E,G,J	1
	19	287565	Tire Pressure Label	A,B,E,G,J	4
*	20	287696	Hearing Protection Label		1
	21	283714-004	KVA Rating Label	A,B,C,D,G,H	2
*	22	288164-002	Label, TR Unit	E,F,J,K	2
*	23	407366	Label, Caution		1
*	24	287467	Label, Glow Plug		2
	25	288388	Label, Not a Step	A,B,E,G,J	2
*	26	400435	Nameplate, 28 VDC	E,F,J,K	1
*	27	81B1084	Nameplate, Output Cable, 28 VDC	E,F,J,K	1
	28	287459	Label, General Information		1
		Output Cables and Accessories			
	29	402034-002	Cable, Output, AC, 30 ft. (if supplied)		1
		Cable, Output, AC, 30 ft. (if supplied)	B,D	2	
	30	402025-003	Cable, Output, DC, 30 ft. (if supplied)	E,F,J,K	1
	31	288120	Output Cable Bracket, AC		1
		288120	Output Cable Bracket, AC	B,D	2
	32	488640	Output Cable Bracket, DC	E,F,J,K	1
*	33	7J422-0	Cable Clamp		2
		7J422-0	Cable Clamp	B,D	4
		7J422-0	Cable Clamp	E,F,J,K	3
*	34	287698-001	Output Cable Covers	A,C,G,H	1
*	35	403091-008	Hole Plug		1



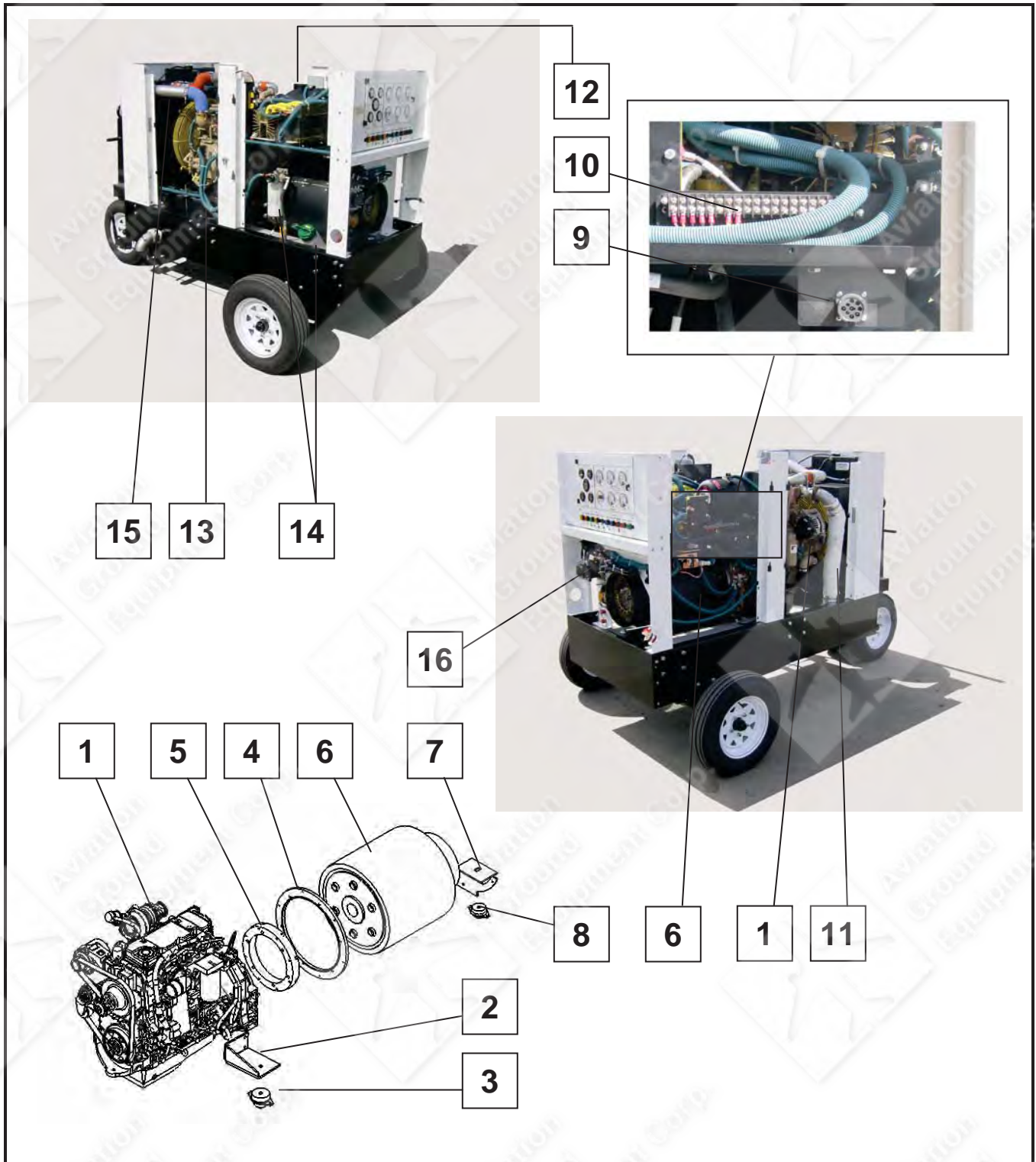
**Frame Assembly
(Stationary Frame Shown)
Figure 2**

FIGURE ITEM NO.	FACTORY PART NO.	NOMENCLATURE	EFF	UNIT PER ASSY.
2 -	1	See Figure 18 for Trailer Assembly	A,B,E,G,J	1
		290707 Mounting Frame, Stationary	C,D,F,H,K	1
	2	290933 Stationary Mounting Bracket	C,D,F,H,K	4
	3	287986 Control Panel Support		1
	4	290487 TR Support Panel		1
	5	290485-002 Control Panel Support, Right		1
	6	290485-001 Control Panel Support, Left		1
	7	290486 Door Support Panel		2
		290690-003 ...Panel Noise Insulation, Bottom		1
		290690-004 ...Panel Noise Insulation, Top		1
	8	287957 Generator Support		1
	9	288373 Engine Support		1
	10	290701 Fuel Tank, Composite		1
*		486719-005 ...Fuel Tank Sender		1
*		282562 ...Fuel Fill Cap		1
	11	290702 Composite Fuel Tank Strap		2
*		290267 ...Composite Fuel Tank Strap Gasket		2
	12	289895 Composite Fuel Tank Belly Pan		1
	13	287998 Front Panel Bracket		2
	14	287795 Battery Tray		1



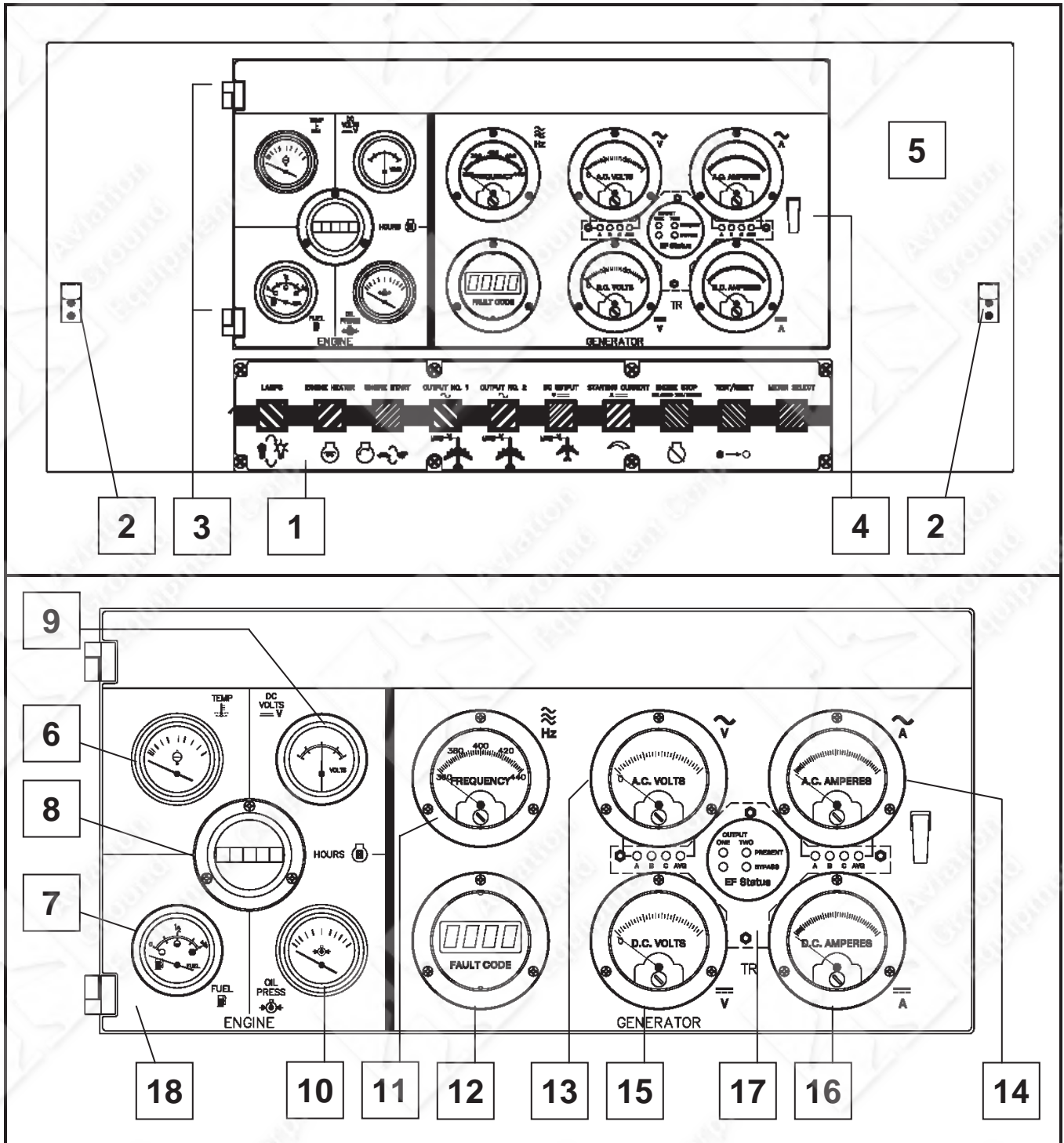
**Canopy Assembly
(Stationary Frame Shown)
Figure 3**

FIGURE ITEM NO.	FACTORY ART NO.	NOMENCLATURE	EFF	UNIT PER ASSY.
3 -	1	290935		1
*		288064-005		1
*		288064-003		1
*		290690-009		1
	2	287999		1
	3	290559		1
*		290690-005		1
*		290690-006		1
	4	287542-001		4
		287526-002		4
	5	290589		4
*		290690-001		3
*		290690-002		1
	6	283597		4
		283824		4
	7	287977		3
		287785		12
*		288064-002		3
		288064-006		1
	8	289094		1
*		287785		4
	9	290590		1



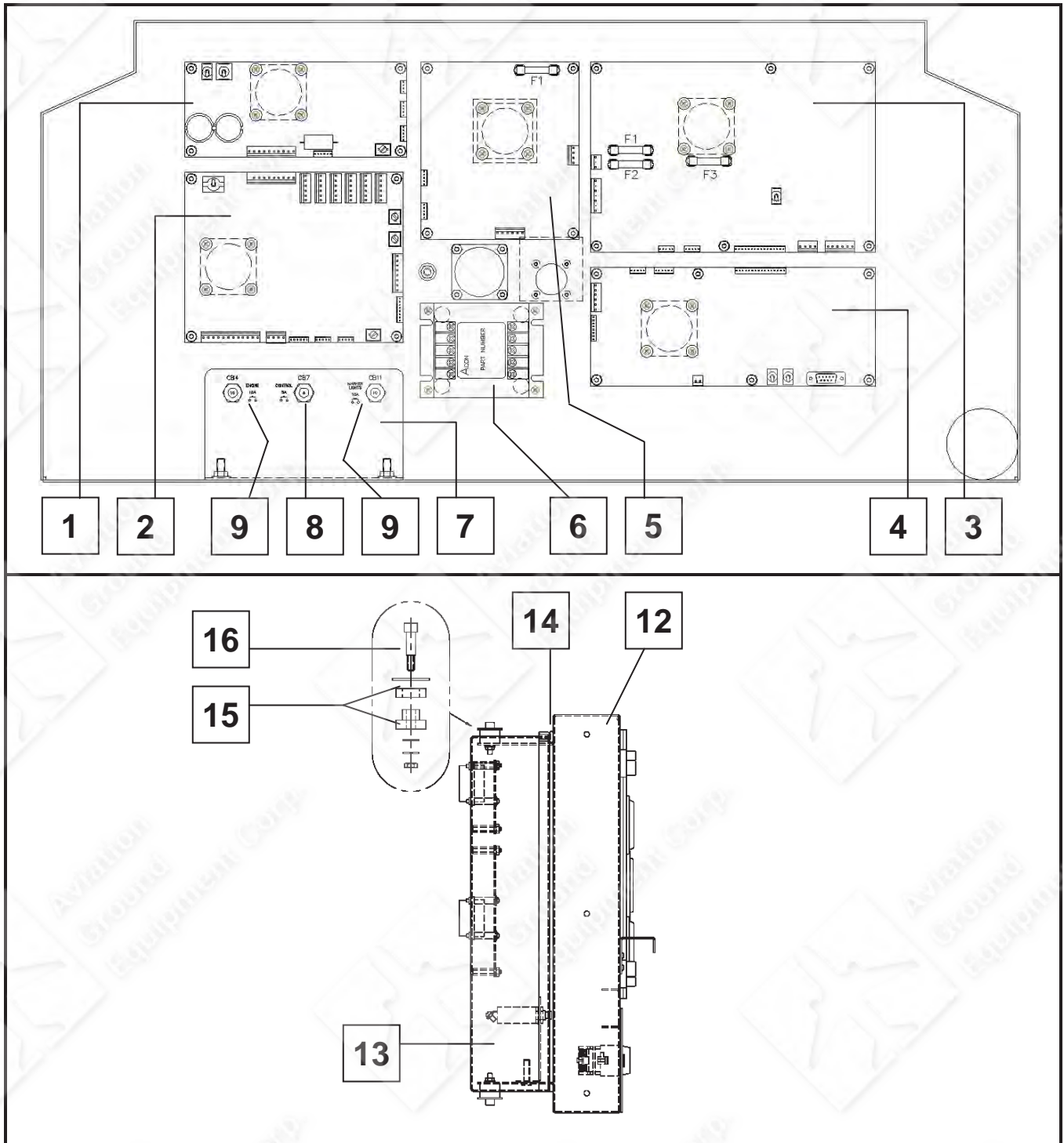
Internal Components
Figure 4

FIGURE ITEM NO.	FACTORY PART NO.	NOMENCLATURE	EFF	UNIT PER ASSY.
4-	1	290065	QSB4.5 Cummins Engine	1
	2	290313	Engine Support Bracket	2
	3	288109-001	Engine Shock Mount (V5P059 #51512-1)	2
	4	287967	Engine Flywheel Housing Adapter	1
	5	287968	Flexible Coupling Adapter Ring	1
	6	287060-003	60 kVA Hobart Generator	1
		287866	...Generator Cover	1
	7	287958	Generator Support Bracket	1
	8	284372-001	Generator Shock Mount (V5P059 #51510-1)	1
	9	290684	Engine Dongle Panel	1
10	290679	...Electronic Engine Wire Harness	1	
	288895	Options Terminal Block Panel	1	
	290678	...Engine Wire Harness	1	
11		Engine Exhaust System (See Figure 14)		
12		Engine Intake Air Assembly (See Figure 12)		
13		12 VDC Battery System (See Figure 11)		
14		Engine Fuel System (See Figure 10)		
15		Engine Cooling System (See Figure 9)		
16		Power Module Assembly (See Figure 8)		



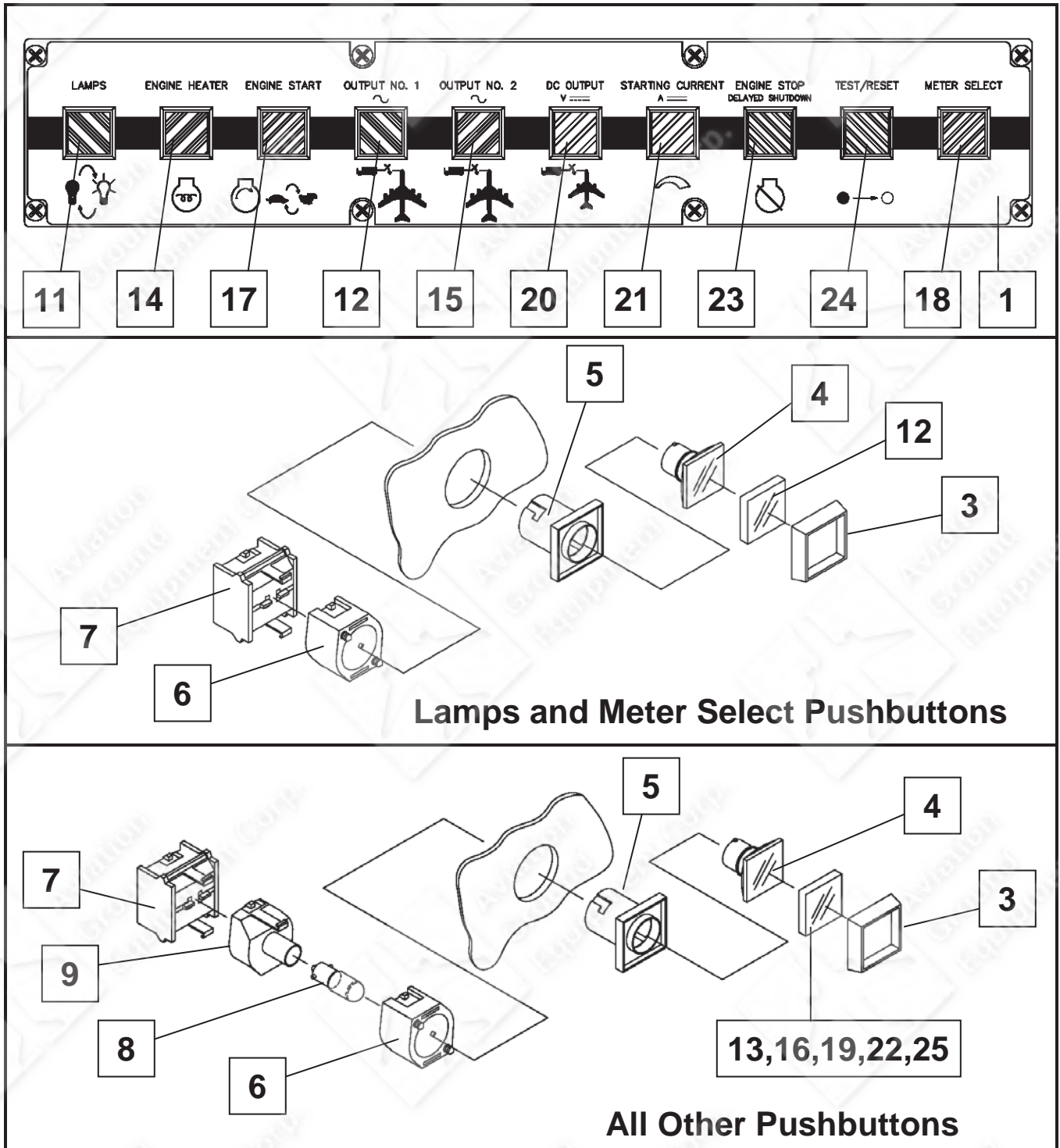
Control Box Assembly
Figure 5

FIGURE ITEM NO.	FACTORY PART NO.	NOMENCLATURE	EFF	UNIT PER ASSY.
5 - *	1	Switch Panel (See Figure 7)		
	2	Control Box Interior Components (See Figure 6)		
	288020	Cover, Support Bracket		1
	3	Top Door Hinge (V94222 #96-141 Type A)		1
	288836-001	Bottom Door Hinge (V94222 #96-142 Type B)		1
	288836-002			
	289078	...Spacer, Hinge		2
4	288999-001	Control Box Door Latch		1
5	289077	Control Box Enclosure (front only)		1
6	287908	Water Temperature Gauge (V16476 #06347-01)		1
7	494134-001	Fuel Level Gauge (V16476 #06339-01)		1
8	181358	Hour Meter (V6H359 #85101)		1
9	286699-001	Battery Voltmeter (V16476 #06351-01)		1
10	78A1117-002	Oil Pressure Gauge (V16476 #06395-01)		1
11	283167	Analog Frequency Meter		1
	288858-002	Digital Frequency Meter	G,H	1
12	288858-004	Fault Code Mater		1
13	W8105A-009	Analog AC Voltmeter		1
	288858-003	Digital AC Voltmeter	G,H	1
14	288814-003	Analog AC Ammeter		1
	288858-001	Digital AC Ammeter	G,H	1
15	400642-008	Analog DC Voltmeter	E,F	1
	288858-006	Digital DC Voltmeter	J,K	1
16	400641-015	Analog DC Ammeter	E,F	1
	288858-005	Digital AC Ammeter	J,K	1
17	288806	LED PC Board (shown opposite side)		1
	288820	...LED PC Board Gasket		1
18	288995	Control Panel Door		1
	289017	...Control Panel Door Label		1



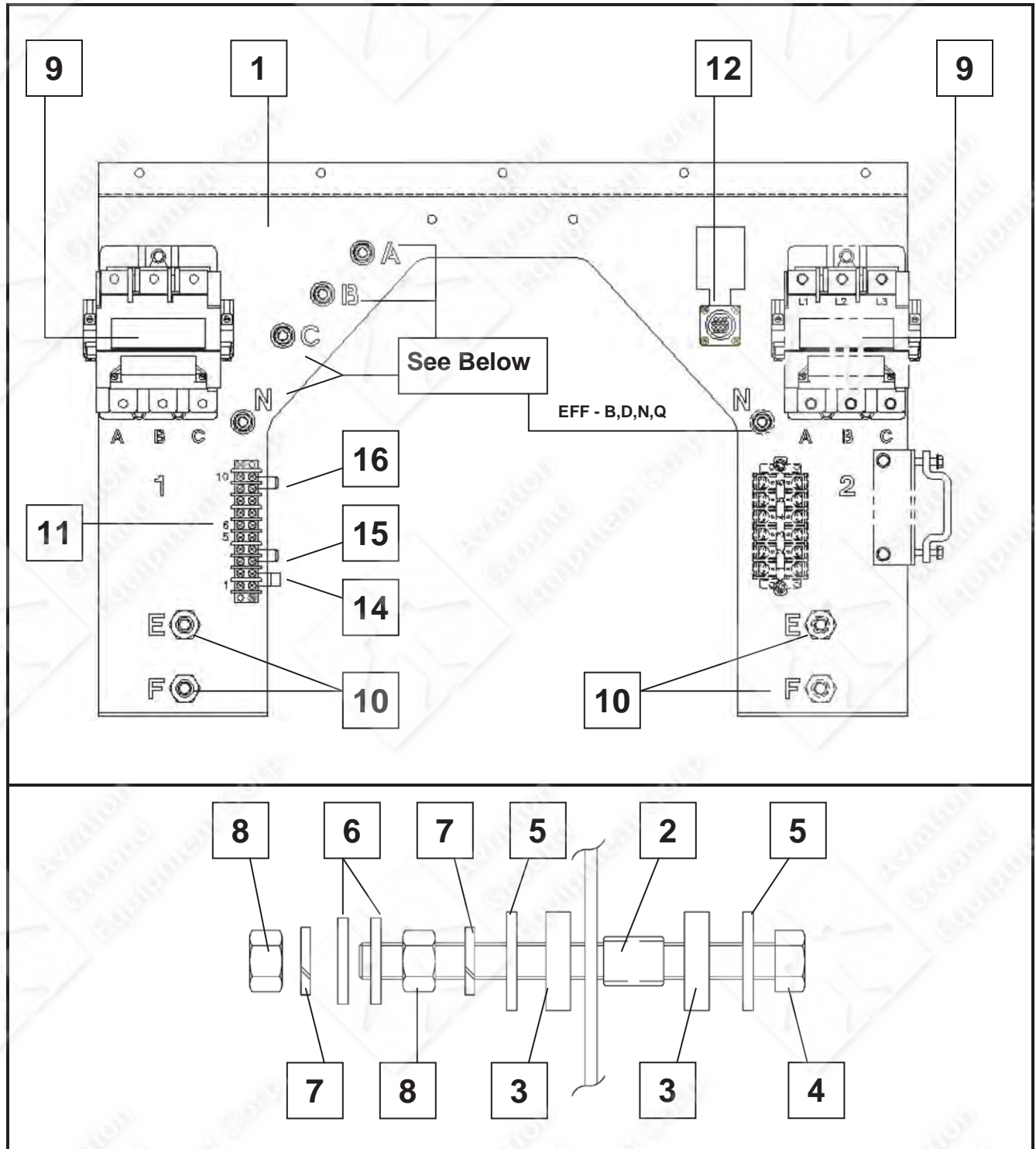
Control Box Interior Components
Figure 6

FIGURE ITEM NO.	FACTORY ART NO.	NOMENCLATURE	EFF	UNIT PER ASSY.
6 -	1	288745		1
*		284316-004		4
	2	288937		1
*		284316-004		4
	3	288940A		1
*		284316-004		6
	4	289026		1
*		284316-004		6
	5	288914		1
*		284316-004		4
	6	288818-001		1
*		288605		1
	7	289122		1
		289060		1
	8	283978-001		1
	9	283978-002		2
*	10	289073		1
*	11	289072		1
	12	291307		1
	13	291298		1
	14	286485-001		6 ft.
	15	286388-001		4
	16	289104-001		4
		286477-002		4



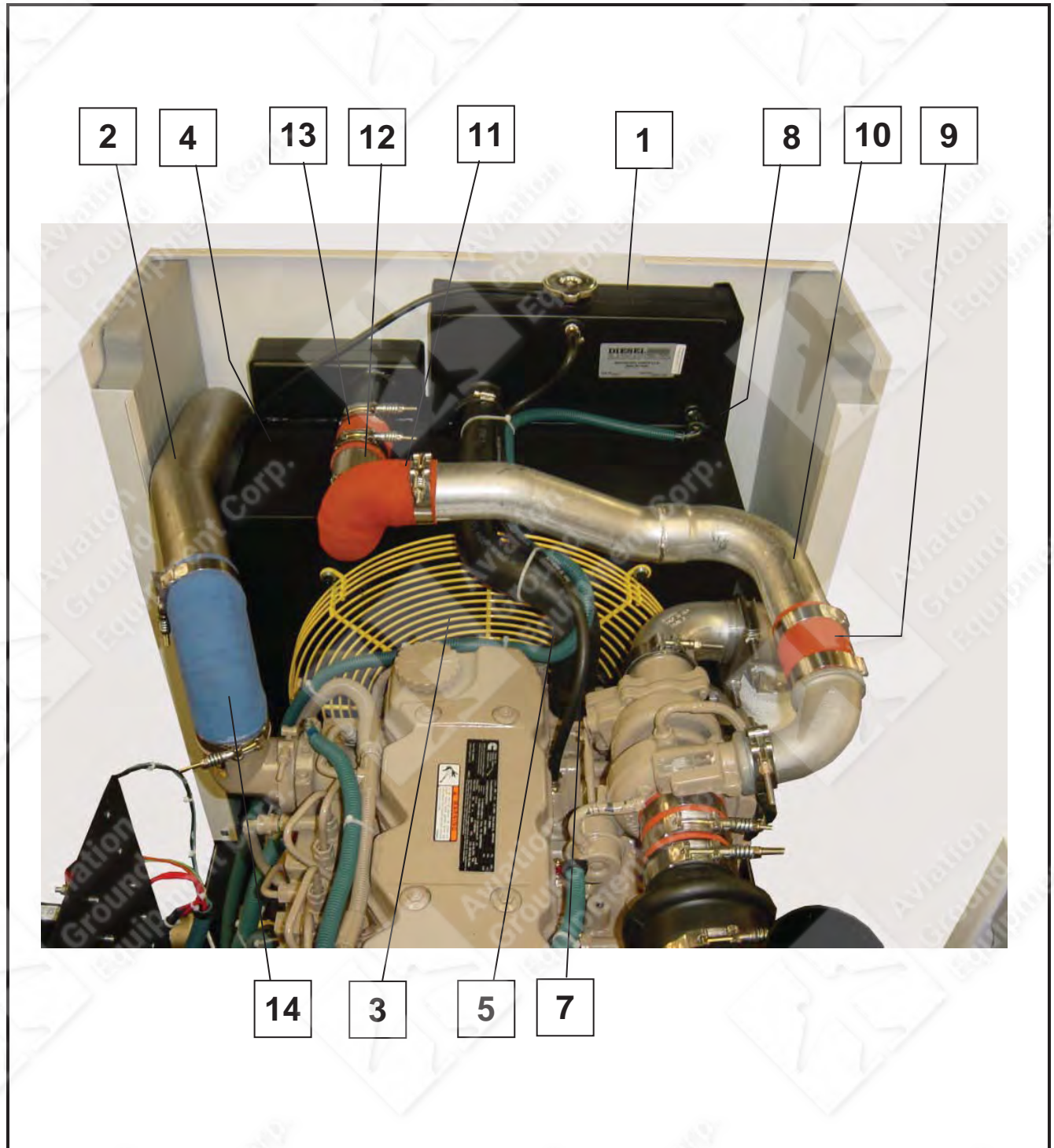
Control Switch Panel Components
Figure 7

FIGURE ITEM NO.	PART NO.	NOMENCLATURE	EFF	UNIT PER ASSY.
7 -	1	289004		1
		289014		1
*		040201		66 in.
*	2	289015		1
		Common Pushbutton Parts		
	3	285029-001		1
	4	285031-001		1
	5	285032-001		1
	6	285033		1
	7	284475-001		1
	8	400613-004		1
	9	285034-001		1
*	10	290080		1
	11	Lamps Pushbutton		
	12	Output # 1 Pushbutton		
	13	285030-002		1
	14	Pre-heater Pushbutton		
	15	Output # 2 Pushbutton		
	16	285030-004	B,D	1
	17	Engine Start Pushbutton		
	18	Meter Select Pushbutton		
	19	285030-003		1
	20	DC Output Pushbutton		
	21	Current Pushbutton		
	22	285030-005	E,F,J,K E,F,J,K	1
	23	Engine Stop Pushbutton		
	24	Test/Reset Pushbutton		
	25	285030-001		1
				1
				1



400 Hz. Power Module Assembly
Figure 8

FIGURE ITEM NO.	PART NO.	NOMENCLATURE	EFF	UNIT PER ASSY.
8 -	1	289093		1
		Power Module Panel [A,B,C,N] Generator Lead Connections		
	2	AW626		1
	3	A25		2
	4	W11097-028		1
	5	W11242-018		2
	6	W11242-010		2
	7	W11254-006		2
	8	W11278-005		2
	9	282130-001		1
		282130-001		1
		3-Pole AC Contactor	B,D	1
10		286266		2
		[E-F] Short Insulating Standoff		
		286266	B,D	4
		[E-F] Short Insulating Standoff		
11		401911-010		1
		10-Position Terminal Block		
12		290683		1
		Power Module Wire Harness		
		...Cable, Power, Ay.		Ref.
*		...(No. 101) "A" Stator Terminal to "K1"		1
*		...(No. 102) "B" Stator Terminal to "K1"		1
*		...(No. 103) "C" Stator Terminal to "K1"		1
*		...(No. 110) "N" Stator Terminal to "N"		1
		...Current, Transformer (V05HB5 # 20130)		3
*	13	289318		1
		2 nd Output Wire Harness	B,D	
		...Cable, Power, Ay.		
*		...(No. 104) "A" Stator Terminal to "K201"		1
*		...(No. 105) "B" Stator Terminal to "K201"		1
*		...(No. 106) "C" Stator Terminal to "K201"		1
*		...Current, Transformer (V05HB5 # 20130)		3
	14	282089-011		1
		Flyback Diode Assembly		
	15	288892-009		1
		60 kVA I.D. Resistor		
	16	288892-001		1
		Power Module I.D. Resistor		
	17	488640		1
		DC Output Cable Clamp Bracket	E,F,J,K	
	18	7J422-000		1
		DC Output Cable Clamp	E,F,J,K	
*	19	288974		1
		Noise Suppression Capacitor	All (except B,D)	



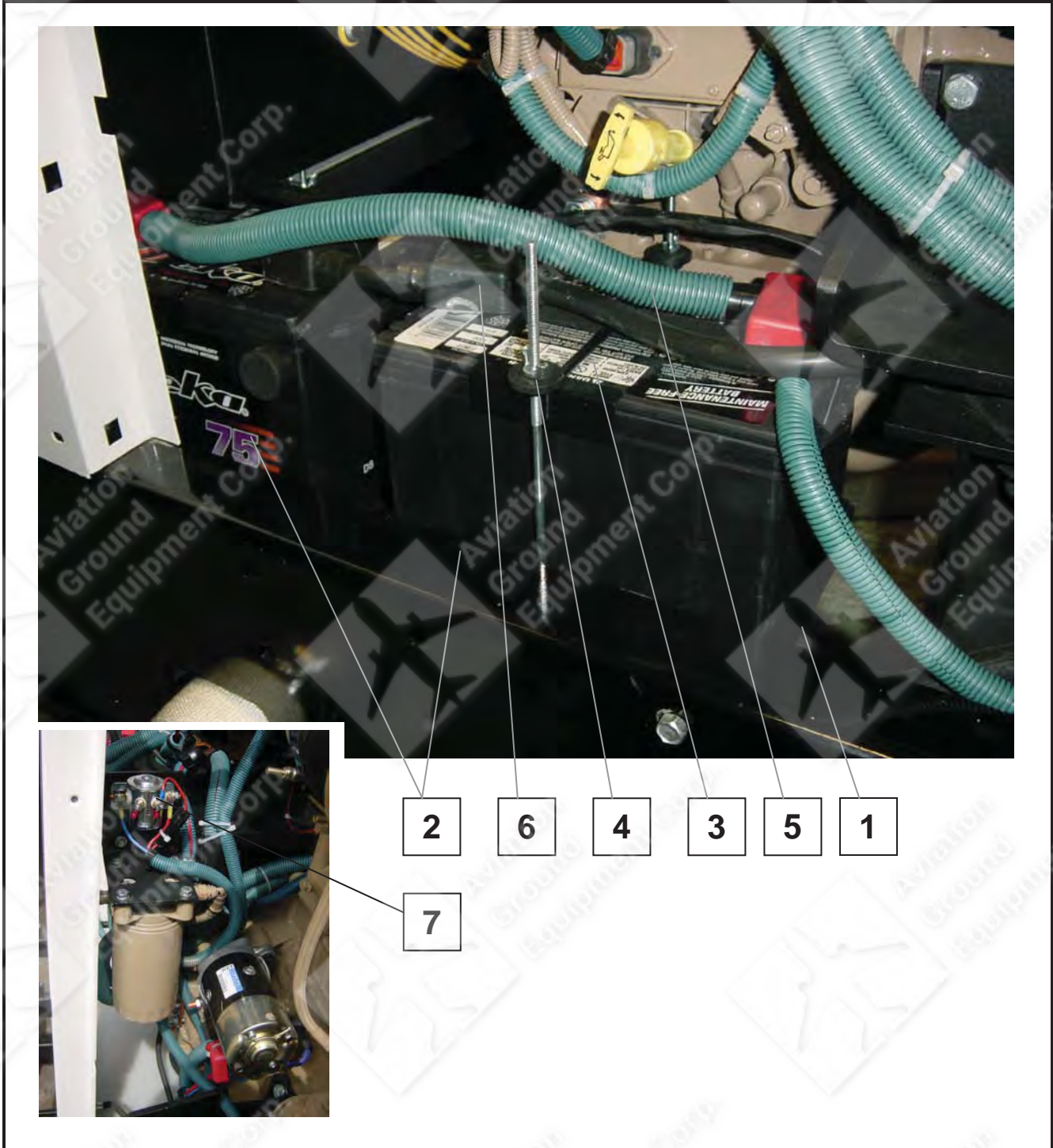
Cooling System Components
Figure 9

FIGURE ITEM NO.	PART NO.	NOMENCLATURE	EFF	UNIT PER ASSY.
9 -	1	288343	Radiator	1
		283873	...Drain Valve	1
		056535	...3/8 inch Drain Hose	12 inches
		W10869-014	...Hose Clamp	1
		287333-002	...Radiator Cap, 15 PSI	1
*	2	Call Factory	Pipe, CAC Inlet	1
		290936	...Hose, CAC, Straight, 3" ID	1
		290597-001	...Clamp, T-Bolt, Floating Bridge, 3.25" (V4K938 #94143-0325)	2
	3	Cooling Fan Assembly		
*		288001	...Fan, 20 inch Cooling	1
		288002	...Guard, Fan	1
4	290575	Shroud, Fan	1	
5		290356	Hose, Top Radiator	1
		W10869-003	...Hose Clamp	2
*	6	290357	Hose, Bottom Radiator	1
		W10869-005	...Hose Clamp	2
	7	056534	Deaeration Hose	28 in.
		288123-001	...Male Connector	2
		W10869-014	...Hose Clamp	2
8	290145	Switch, Low Coolant Shutdown (V8A334 #4903016)	1	
9		290624	Hose, CAC, Straight, 2.5" ID	1
		290597-004	...Clamp, T-Bolt, Floating Bridge, 2.65" (V4K938 #94143-0265)	2
10	290339	Pipe, CAC Outlet	1	
11		290623	Hose, CAC, Elbow, 90°, 2.5" ID	1
		290597-004	...Clamp, T-Bolt, Floating Bridge, 2.65" (V4K938 #94143-0265)	2
12	290943	Pipe, CAC, Straight, 2.5" ID	1	
13		290624	Hose, CAC, Straight, 2.5" ID	1
		290597-004	...Clamp, T-Bolt, Floating Bridge, 2.65" (V4K938 #94143-0265)	2
14		290619	Hose, CAC, 90° Elbow, 3" ID	1
		290597-001	...Clamp, T-Bolt, Floating Bridge, 3.25" (V4K938 #94143-0325)	2



Fuel System Components
Figure 10

FIGURE ITEM NO.	PART NO.	NOMENCLATURE	EFF	UNIT PER ASSY.
10 -	1	290701		1
		486719-005		1
	2	282562		1
	3	290685		1
		290388		1
	4	290686		1
	5	286897-031		1
	6	289037		1
	7	286897-030		1
	8	290681		1

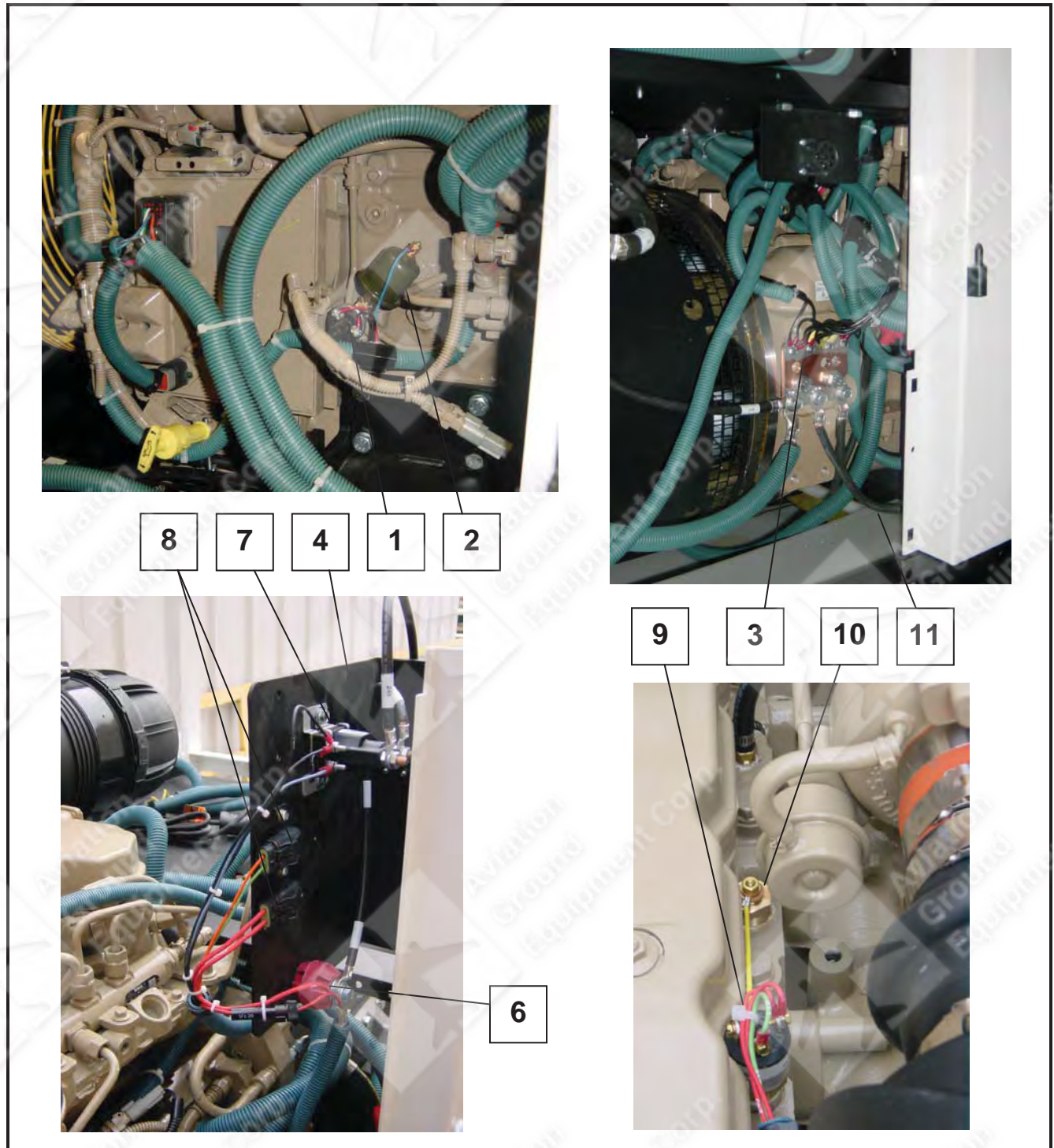


12 VDC Battery System
Figure 11

FIGURE ITEM NO.	PART NO.	NOMENCLATURE	EFF	UNIT PER ASSY.
11 -	1	287795		1
	2	281881-001		2
	3	287796		2
	4	494295		4
	5	287740		1
	6	287797		1
	7	286850		1
		288973-001		1
		290678		1



Engine Intake Air Assembly
Figure 12



Engine Components
Figure 13

FIGURE ITEM NO.	PART NO.	NOMENCLATURE	EFF	UNIT PER ASSY.
13 -	1	403809-002		1
	2	78B1118-002		1
		287419	...M10-1.0 x 1/8" NPTF Adapter	1
		W10910-000	...Tee Fitting	1
		W10750-001	...1/8" Pipe Nipple	1
	3	287735		1
		290678	...Engine Wire Harness	1
		290944	...Electronic Engine Wire Harness	1
	4	289136	Electronic Engine Parts Panel	1
*	5	287145-001	Pre-Heater Fuse Holder	1
*		287144-002	...100 A, 300 V Fast Acting Fuse (V71400 #JJN-125)	1
	6	283154-001	Insulated Standoff	1
	7	288331	Pre-Heater Power Relay (V1FQ83 #50F3662)	1
	8		...5 A Fuse (V7E222 # 257-5)	1
			...30 A Fuse (V7E222 # 257-30)	1
	9	403782-002	Water Temperature Switch (V99186 #1002-04880-34)	1
		W7814-004	...3/8 to 1/2 Pipe Bushing	1
	10	287909	Water Temperature Sender (V16476 #02025-00)	1
	11	W9407-446	Engine to Frame Ground Cable	1



1

OPPOSITE SIDE



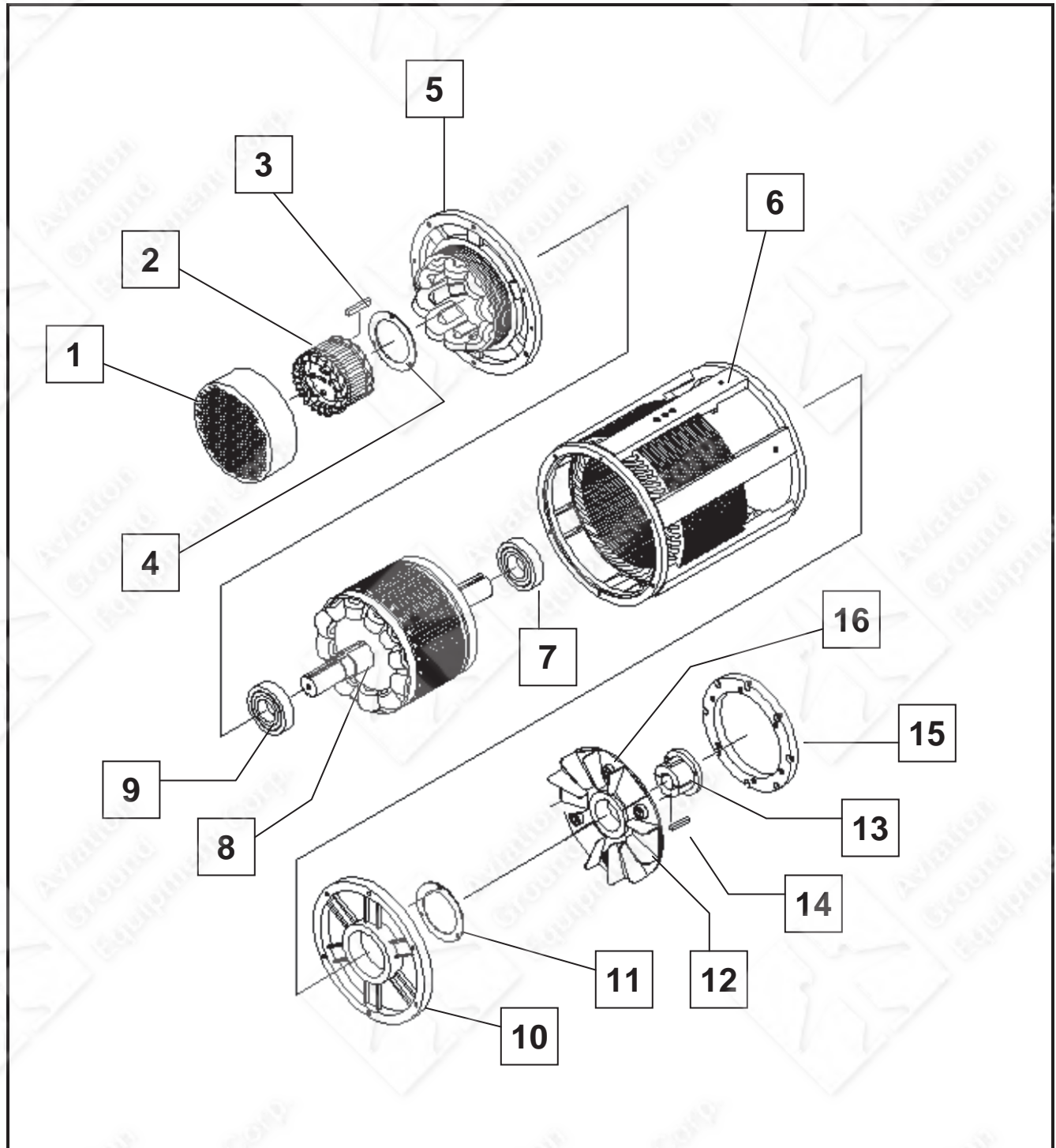
3

2

4

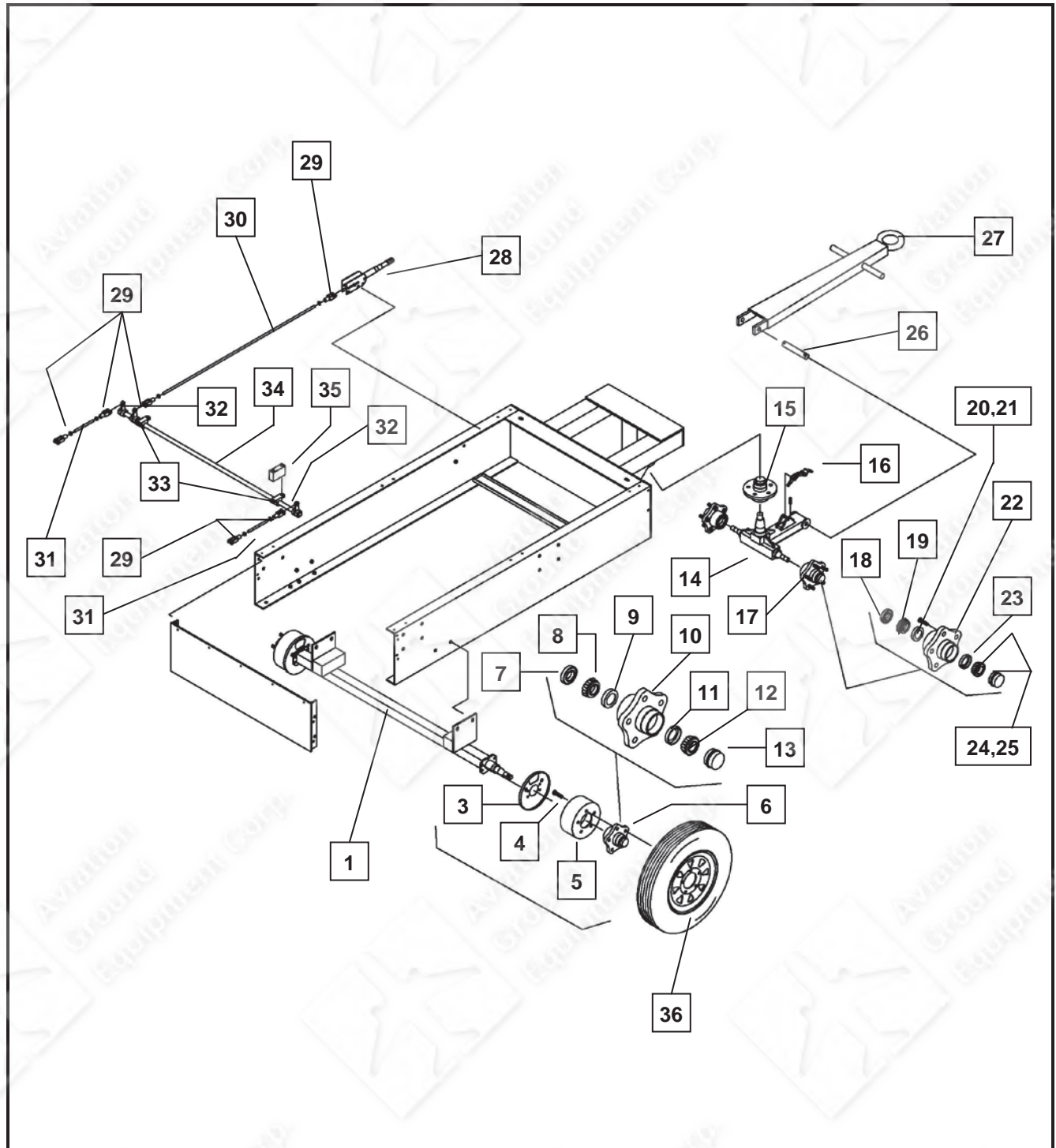
Engine Exhaust Assembly
Figure 14

FIGURE ITEM NO.	PART NO.	NOMENCLATURE	EFF	UNIT PER ASSY.
14 - 1	290638	90° Exhaust Elbow		1
	042471	...Muffler Wrap Insulation		1.2 ft ²
	W10869-006	...Hose Clamp (to hold insulation)		2
	288052-2	...3" Accuseal Clamp		1
	290632	Flexible Exhaust Pipe Connector		1
2	042471	...Muffler Wrap Insulation		1.7 ft ²
	3	404154-013	...3" Full Circle Clamp	1
	W10869-006	...Hose Clamp (to hold insulation)		2
	288052-2	...3" Accuseal Clamp		1
4	288376	Exhaust Muffler		1
	042471	...Muffler Wrap Insulation		3.5 ft ²
	288059-1	...Hose Clamp (to hold insulation)		2



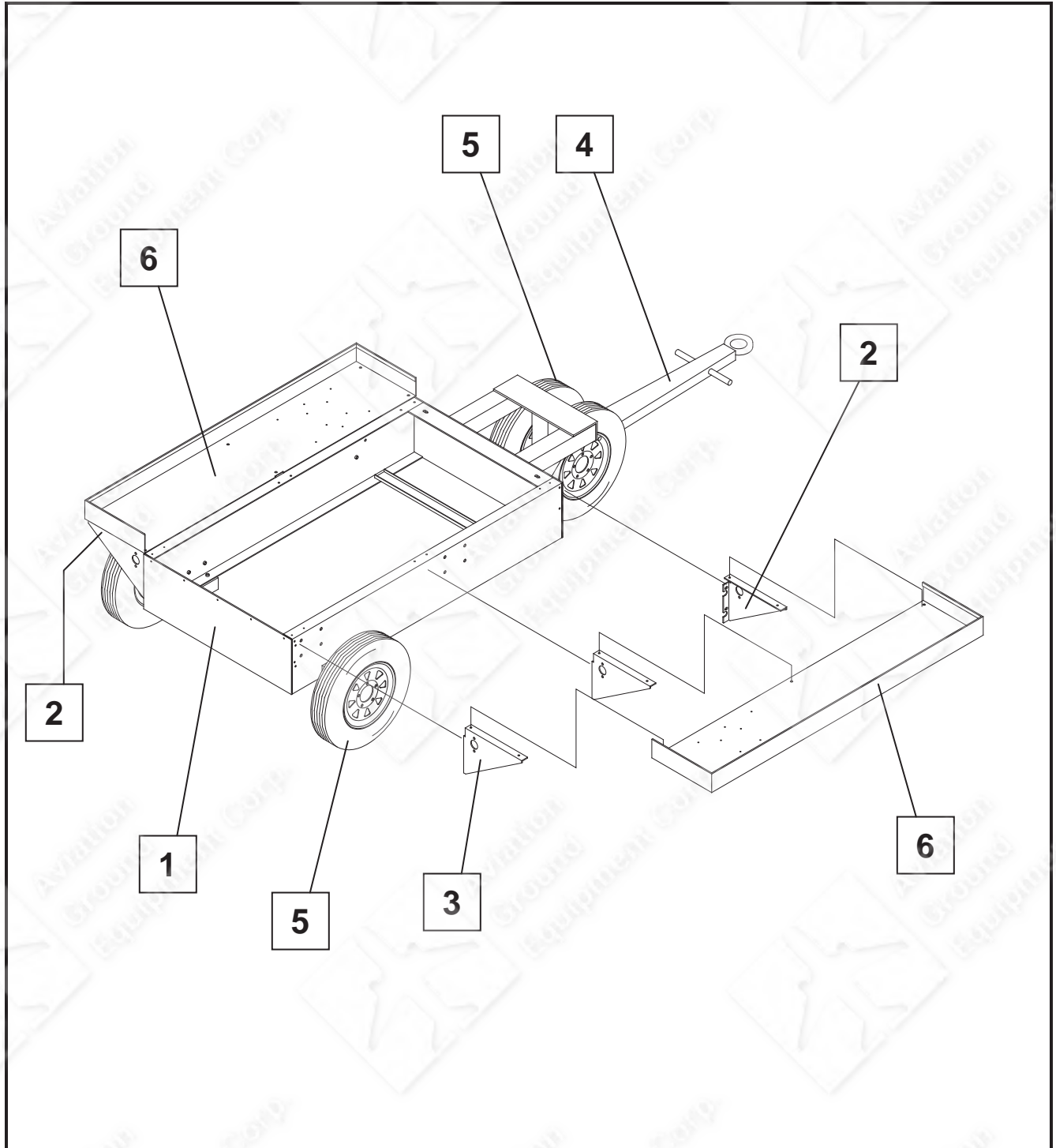
Generator Assembly
Figure 15

FIGURE ITEM NO.	PART NO.	NOMENCLATURE	EFF	UNIT PER ASSY.
15 -	1	281698		1
	2	282132		1
	3	180696-002		1
	4	282128		1
	5	285121		1
	6	287821-002		1
	7	W10072-068		1
	8	287820-001		1
	9	W10072-068		1
	10	287729		1
	11	282128		1
	12	281701		1
	13	85C-1004-1		1
	14	85B-1039		1
	15	287968		1
	16	483756		Ref.
*	17	287886		1
*	18	284372-001		1
*	19	287958		1



Trailer Components (Front and Rear Axles and Hand Brake)
Figure 16

FIGURE ITEM NO.	PART NO.	NOMENCLATURE	EFF	UNIT PER ASSY.
16 -	290588	Frame/Trailer Assembly	A,B,E,G,J	1
1	288389	Rear Axle Weldment (V52793 #53285)	A,B,E,G,J	1
	287587	...Brake Assembly (V52793 #46894)	A,B,E,G,J	2
*	2	286201Brake Assembly	2
3	285911Dust Shield (V52793 #317968)	A,B,E,G,J	1
4	286205Hub Bolt (V52793 #06440)	A,B,E,G,J	5
5	287627Brake Drum (V52793 #05-006712-21)	A,B,E,G,J	1
	285917Lug Nut (V52793 #05-007805)	A,B,E,G,J	5
6	287626	...Hub Assembly (V52793 #05-046879-1AL)	A,B,E,G,J	1
7	287626-001Grease Seal (V52793 #16743 CR)	A,B,E,G,J	1
8	287626-002Inner Bearing Cone (V60038 #67048)	A,B,E,G,J	1
9	287626-003Inner Bearing Cup (V60038 #67010)	A,B,E,G,J	1
10	287628Hub (V52793 #03-044880-AL)	A,B,E,G,J	1
11	287626-004Outer Bearing Cup (V60038 #11910)	A,B,E,G,J	1
12	287626-005Outer Bearing Cone (V60038 #11949)	A,B,E,G,J	1
13	287626-006Wheel Hub Cap (V52793 #1517)	A,B,E,G,J	1
14	288390	Front Axle Weldment (V52793 #53308)	A,B,E,G,J	1
15	288392	...Hub Assembly (V52793 #2-1206-01-01)	A,B,E,G,J	1
16	285851	...Latch Pedal (V52793 #05-051009)	A,B,E,G,J	1
	285850Compression Spring (V52793 #LC-063F-7)	A,B,E,G,J	1
17	286735	...Hub Assembly (V52793 #03-044876-1AL)	A,B,E,G,J	2
	285917Lug Nut (V52793 #05-007805)	A,B,E,G,J	5
18	286735-001Grease Seal (V52793 #16743 CR)	A,B,E,G,J	1
19	286735-002Inner Bearing Cone (V60038 #67048)	A,B,E,G,J	1
20	286735-003Inner Bearing Cup (V60038 #67010)	A,B,E,G,J	1
21	286205Hub Bolt (V52793 #03-006440)	A,B,E,G,J	5
22	286734Wheel Hub (V52793 #03-044875-AL)	A,B,E,G,J	1
23	287626-004Outer Bearing Cup (V60038 #11910)	A,B,E,G,J	1
24	287626-005Outer Bearing Cone (V60038 #11949)	A,B,E,G,J	1
25	287626-006Wheel Hub Cap (V52793 #1517)	A,B,E,G,J	1
26	285844	Drawbar Pin Assembly (V52793 #05-046787-A)	A,B,E,G,J	1
27	288393	Drawbar Weldment (V52793 #53590)	A,B,E,G,J	1
		Hand Brake Assembly (V52793 #58342)	A,B,E,G,J	1
28	286978	...Brake Leveler Assembly (V52793 #31110)	A,B,E,G,J	1
29	286982	...Clevis (V52793 #2708-4A)	A,B,E,G,J	6
30	288394	...Brake Handle Rod (V52793 #58343)	A,B,E,G,J	1
31	288395	...Brake Level Rod (V52793 #53304)	A,B,E,G,J	2
32	288398	...Shaft Lever	A,B,E,G,J	3
	286985Collar, Set Screw (V52793 #SC-075)	A,B,E,G,J	2
	286984Roll Pin (V52793 #LL 5/16 X 1-1/4RP)	A,B,E,G,J	3
33	286981	...Shaft Bearing (V52793 #46646)	A,B,E,G,J	2
34	288396	...Brake Cross Bar (V52793 #53306)	A,B,E,G,J	1
35	288397	...Spacer Block (V52793 #53414)	A,B,E,G,J	1
36	282720	Wheel and Tire Assembly (V52793 #53318)	A,B,E,G,J	4



Trailer Components (Cable Trays)
Figure 17

FIGURE ITEM NO.	PART NO.	NOMENCLATURE	EFF	UNIT PER ASSY.	
17 -	1	290588	Frame/Trailer Assembly	A,B,E,G,J	1
		290707	...Frame/Fixed Assembly	C,D,F,H,K	1
	2	287993	Fender Mounting Bracket	A,B,E,G,J	3
	3	287994	Fender Mounting Bracket	A,B,E,G,J	3
	4	288393	Drawbar Weldment (V52793 #53590)	A,B,E,G,J	1
	5	282720	Wheel and Tire Assembly (V52793 #53318)	A,B,E,G,J	4
	6	290919	Fender / Cable Tray	A,B,E,G,J	2

This page intentionally left blank.

Section 3 Numerical Index

1) Explanation of Numerical Index

The purpose of this index is to assist the user in finding the illustration and description of a part when the part number is known. Part numbers are arranged in alphanumerical sequence. Thus, any part number beginning with the letter "A" would be located at or near the top of the index list. Likewise, a part number "9" would be listed near the end of the list and far below a part number "1000". The figure number and item number location of the part is directly opposite the part. If the part is used in more than one place, each location is listed commencing with the first location the part is listed.

FIGURE ITEM NO.	HOBART PART NO.	FIGURE ITEM NO.	HOBART PART NO.
8-2	AW626	16-36	282720
8-3	A25	17-5	282720
13-11	W9407-446	12-	282918
15-7	W10072-068	12-	282919
15-9	W10072-068	13-6	283154-001
8-4	W11097-028	5-11	283167
8-5	W11242-018	3-6	283597
9-	W10869-014	1-21	283714-004
9-	W10869-014	3-	283824
8-6	W11242-010	9-	283873
5-13	W8105A-009	6-9	283978-002
8-7	W11254-006	6-8	283978-001
14-	W10869-006	6-	284316-004
14-	W10869-006	6-	284316-004
8-8	W11278-005	6-	284316-004
9-	W10869-005	6-	284316-004
13-	W7814-004	6-	284316-004
9-	W10869-003	4-8	284372-001
13-	W10750-001	15-18	284372-001
13-	W10910-000	7-7	284475-001
14-	042471	7-22	285030-005
14-	042471	7-16	285030-004
14-	042471	7-19	285030-003
9-7	056534	7-3	285029-001
9-	056535	7-25	285030-001
15-3	180696-002	7-4	285031-001
5-8	181358	7-5	285032-001
15-1	281698	7-6	285033
15-12	281701	7-9	285034-001
11-2	281881-001	15-5	285121
8-14	282089-011	1-	285125
15-4	282128	16-26	285844
15-11	282128	16-	285850
8-9	282130-001	16-16	285851
8-	282130-001	16-3	285911
15-2	282132	16-	285917
2-	282562	16-	285917
10-2	282562	16-2	286201
1-15	282658	16-4	286205

FIGURE ITEM NO.	HOBART PART NO.	FIGURE ITEM NO.	HOBART PART NO.
16-21	286205	13-3	287735
8-10	286266	11-5	287740
8-	286266	3-	287785
6-15	286388-001	3-	287785
6-	286477-002	2-14	287795
6-14	286485-001	11-1	287795
5-9	286699-001	11-3	287796
16-20	286735-003	11-6	287797
16-19	286735-002	15-6	287821-002
16-18	286735-001	15-8	287820-001
16-22	286734	4-	287866
16-17	286735	15-17	287886
11-7	286850	5-6	287908
10-5	286897-031	13-10	287909
10-7	286897-030	2-8	287957
16-28	286978	4-7	287958
16-33	286981	15-19	287958
16-29	286982	4-4	287967
16-	286984	4-5	287968
16-	286985	15-15	287968
4-6	287060-003	3-7	287977
13-	287144-002	2-3	287986
13-5	287145-001	17-2	287993
9-	287333-002	17-3	287994
13-	287419	2-13	287998
1-28	287459	3-2	287999
1-11	287461	9-	288001
1-13	287462	9-	288002
1-14	287463	1-4	288020
1-18	287465	5-2	288020
1-	287466	1-3	288023
1-24	287467	14-	288052-2
3-	287526-002	14-	288052-2
3-4	287542-001	3-	288064-006
1-19	287565	14-	288059-1
16-	287587	3-	288064-005
16-13	287626-006	3-	288064-003
16-25	287626-006	3-	288064-002
16-12	287626-005	4-3	288109-001
16-24	287626-005	1-	288120
16-11	287626-004	1-31	288120
16-23	287626-004	9-	288123-001
16-9	287626-003	1-22	288164-002
16-8	287626-002	12-	288197-001
16-7	287626-001	1-	288300
16-6	287626	13-7	288331
16-5	287627	9-1	288343
16-10	287628	2-9	288373
1-20	287696	14-4	288376
1-34	287698-001	1-25	288388
15-10	287729	16-1	288389

FIGURE ITEM NO.	HOBART PART NO.	FIGURE ITEM NO.	HOBART PART NO.
16-14	288390	13-4	289136
16-15	288392	8-13	289318
16-27	288393	2-12	289895
17-4	288393	4-1	290065
16-30	288394	7-10	290080
16-31	288395	9-8	290145
16-34	288396	2-	290267
16-35	288397	4-2	290313
16-32	288398	9-10	290339
6-	288605	9-5	290356
6-1	288745	9-6	290357
5-17	288806	10-	290388
5-14	288814-003	2-5	290485-002
6-6	288818-001	2-6	290485-001
5-	288820	2-7	290486
5-	288836-002	2-4	290487
5-3	288836-001	9-4	290575
5-	288858-006	16-	290588
5-	288858-005	17-1	290588
5-12	288858-004	3-5	290589
5-	288858-003	3-9	290590
5-	288858-002	12-	290597-007
5-	288858-001	12-	290597-006
1-17	288862	12-	290597-006
1-16	288866	9-	290597-004
8-15	288892-009	9-	290597-004
8-16	288892-001	9-	290597-004
4-10	288895	9-	290597-001
6-5	288914	9-	290597-001
6-2	288937	12-	290597-001
6-3	288940A	3-3	290559
11-	288973-001	9-14	290619
8-19	288974	9-11	290623
5-18	288995	9-9	290624
5-4	288999-001	9-13	290624
7-1	289004	14-2	290632
7-	289014	14-1	290638
7-2	289015	4-	290678
5-	289017	11-	290678
6-4	289026	13-	290678
10-6	289037	4-	290679
6-	289060	3-	290690-009
6-11	289072	10-8	290681
6-10	289073	8-12	290683
5-5	289077	3-	290690-006
6-12	289077	4-9	290684
6-13	289090	3-	290690-005
8-1	289093	10-3	290685
3-8	289094	2-	290690-004
6-16	289104-001	10-4	290686
6-7	289122	1-5	290687

FIGURE ITEM NO.	HOBART PART NO.	FIGURE ITEM NO.	HOBART PART NO.
2-	290690-003	8-17	488640
3-	290690-002	5-7	494134-001
3-	290690-001	11-4	494295
2-10	290701	1-33	7J422-0
10-1	290701	1-	7J422-0
2-11	290702	1-	7J422-0
2-	290707	8-18	7J422-000
17-	290707	1-12	76B-1148
1-2	290709	1-	77A1157
17-6	290919	1-9	78A-1000
2-2	290933	5-10	78A1117-002
3-1	290935	13-2	78B1118-002
9-	290936	1-10	79A-1110
12-	290936	1-27	81B1084
12-	290937	15-14	85B-1039
12-1	290938	15-13	85C-1004-1
12-7	290939		
12-	290940		
12-	290941		
12-	290942		
9-12	290943		
13-	290944		
12-	290950		
12-6	290951		
12-	290952		
12-	290953		
12-	290956		
1-26	400435		
7-8	400613-004		
5-16	400641-015		
5-15	400642-008		
8-11	401911-010		
1-30	402025-003		
1-29	402034-002		
1-8	402987		
1-35	403091-008		
12-	403483		
12-	403483		
13-9	403782-002		
13-1	403809-002		
14-3	404154-013		
1-23	407366		
1-7	408665-002		
1-	408665-002		
1-6	408665-001		
1-	408665-001		
15-16	483756		
2-	486719-005		
10-	486719-005		
1-32	488640		